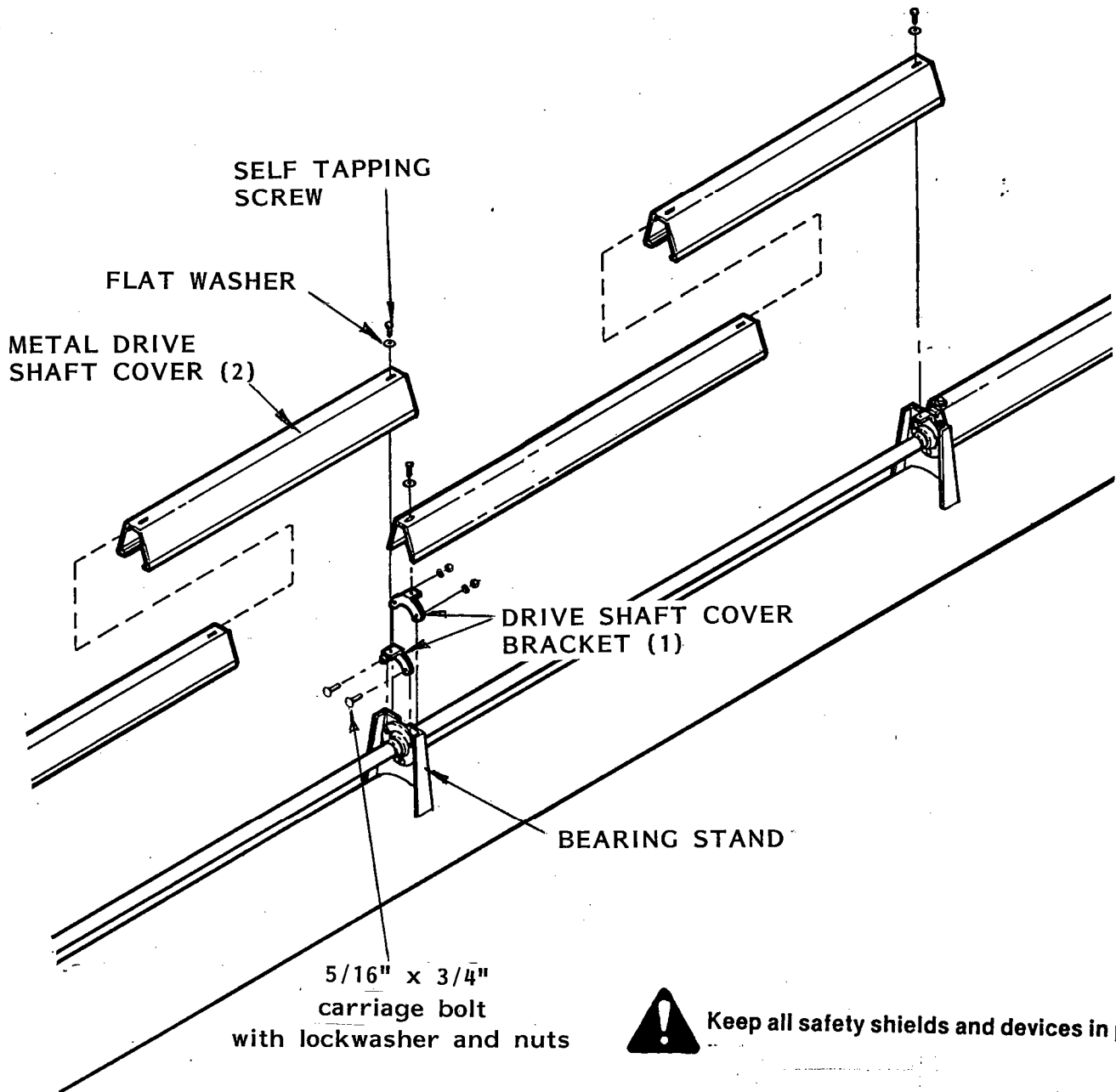


## DRIVE SHAFT COVERS TO BEARING STAND MOUNTING BRKKT KIT

This kit provides the components to attach a metal drive shaft cover to a bearing stand.

1. Assemble drive shaft covers brackets (1) to bearing stand using two 5/16" x 3/4" carriage bolts, lockwashers and nuts
2. Fasten metal drive shaft covers (2) to brackets (1) using self tapping screw flat washers.



**Keep all safety shields and devices in place.**

If there are problems assembling the components provided in this kit, please contact us for assistance.