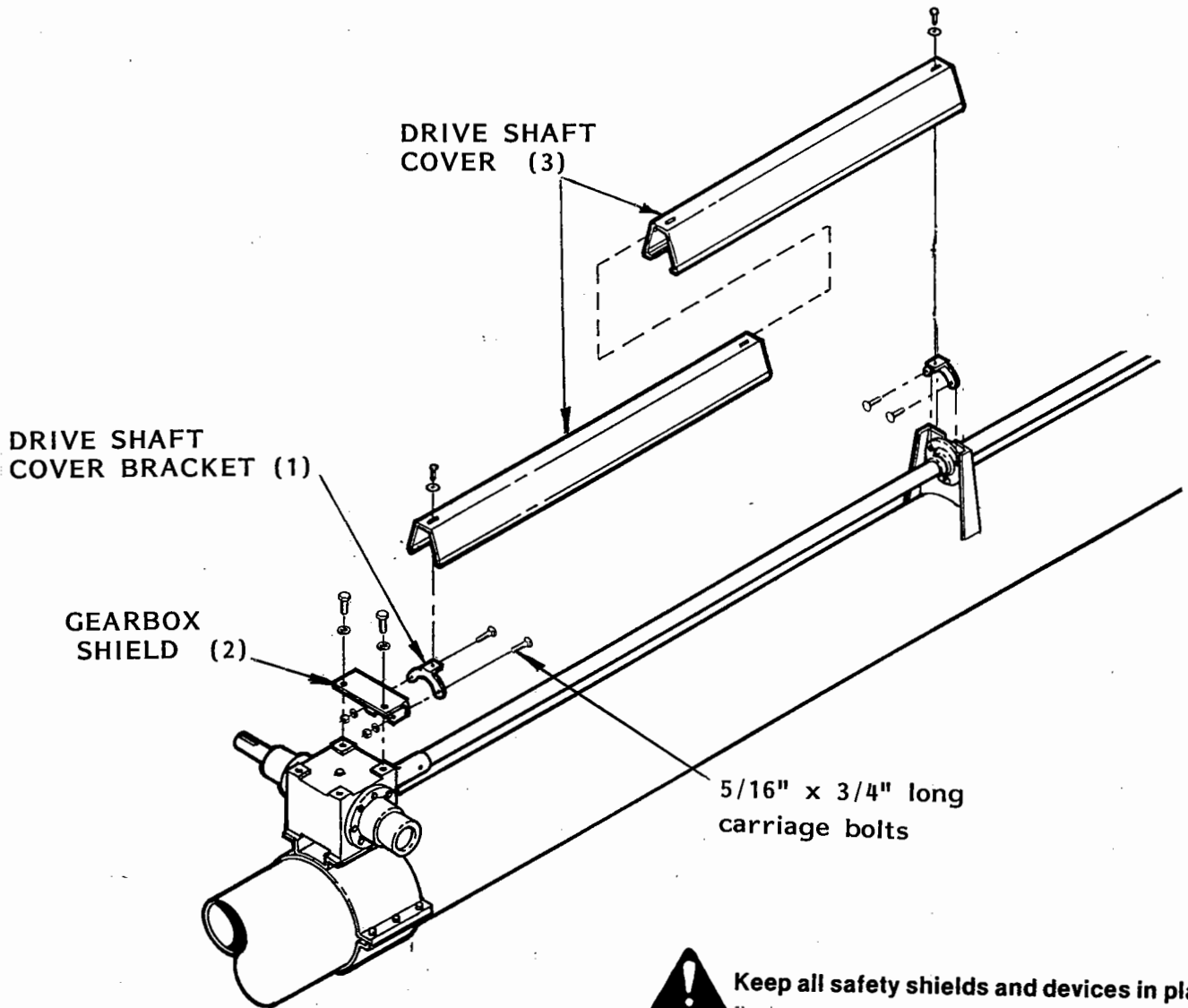


## GEARBOX TO DRIVE SHAFT COVER MOUNTING KIT

This kit provides the components to attach metal drive shaft covers to gearbox.

1. Bolt the gearbox shield (2) to the top of the gearbox. **NOTE:** Two different size of shields were provided. Use the shield that matches the bolt mounting pattern on top of the gearbox.
2. Assemble the drive shaft cover bracket (1) to the gearbox shield (2) using two 5/16" x 3/4" carriage bolts, lockwashers and nuts.
3. Attach the drive shaft cover (3) to bracket (1) using self tapping screw and flat washer.



If there are problems assembling the components provided in this kit, please contact us for assistance.