

HEAD COVER FOR 8" AMERICAN AUGER ASE - 1002287

Attach head drive cover using 5/16" x 3/4" bolts, lockwashers and nuts. See Figure 1.

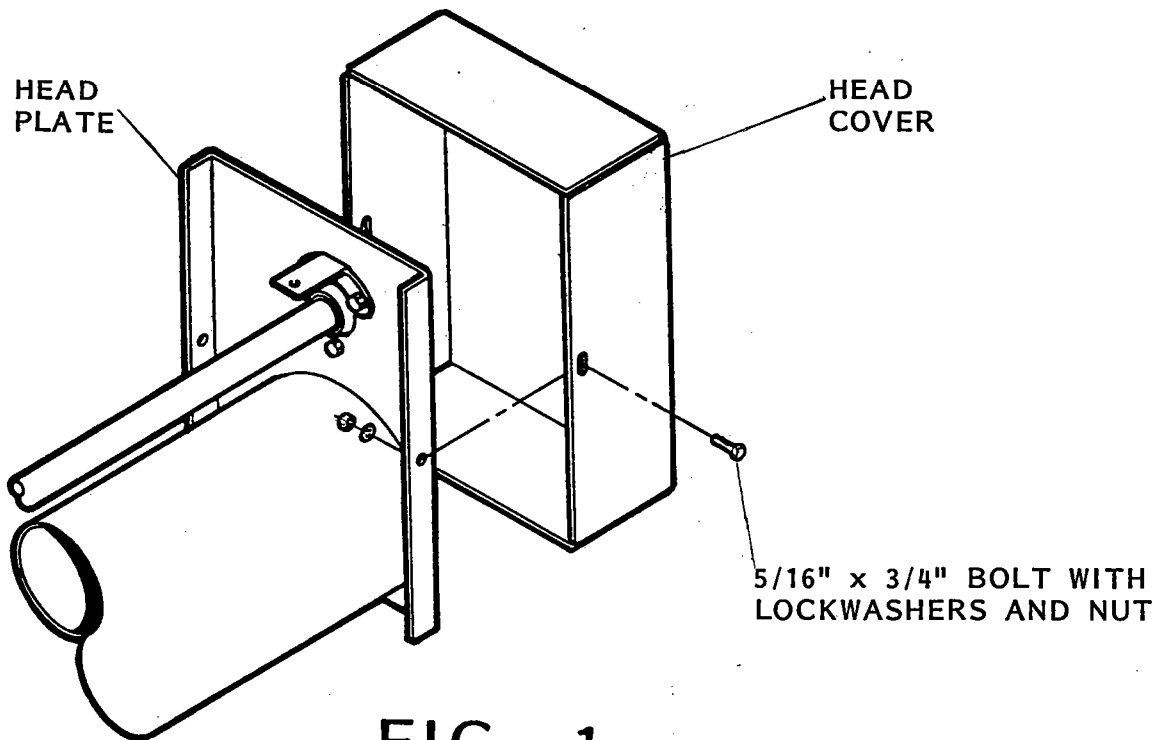


FIG. 1



CAUTION Keep all safety shields and devices in place.

NOTE: There were two head covers shipped with this kit. The early 8" American Augers used a larger head cover to fit larger head plate. Select the cover that fits your auger and discard the other cover.

If there are problems assembling the components provided in this kit, please contact us for assistance.