

HEAD COVER FOR 10" AMERICAN AUGER ASE - 1002288

Attach head drive cover using 3/8" x 3/4" bolts, lockwashers and nuts. See Figure 1.

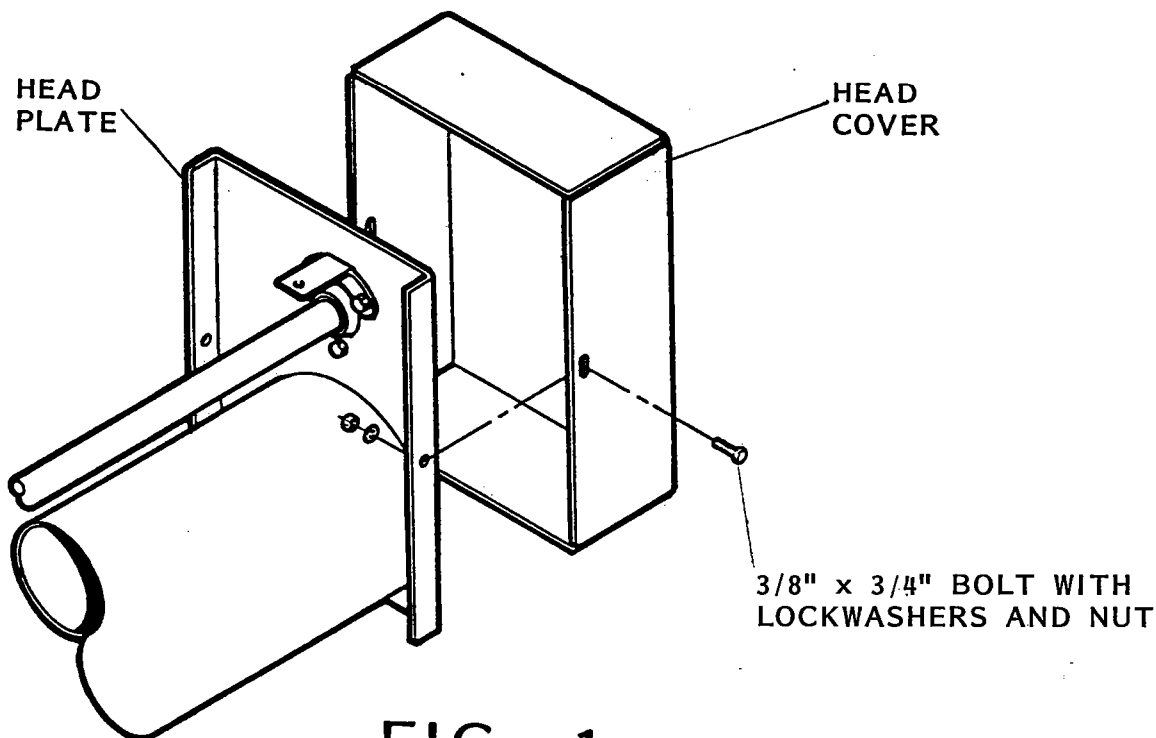


FIG. 1



CAUTION Keep all safety shields and devices in place.

If there are problems assembling the components provided in this kit, please contact us for assistance.

01033A1