

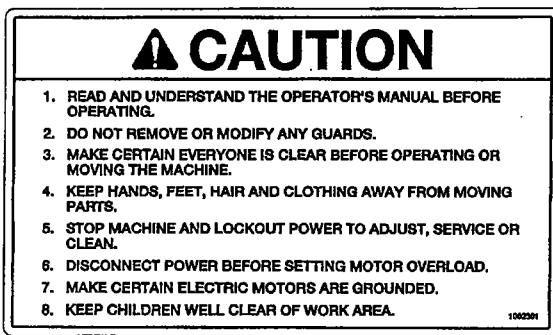
# SAFETY SIGN KIT FOR 25° BIN UNLOADER AND VARIABLE HEIGHT BIN UNLOADER

**DANGER Sign No. 1002303.** This safety sign should be applied to the side of the bin near the bin opening, so it will be viewed by people entering into the bin or storage building. Do not cover any safety sign or any other signs that are already there.

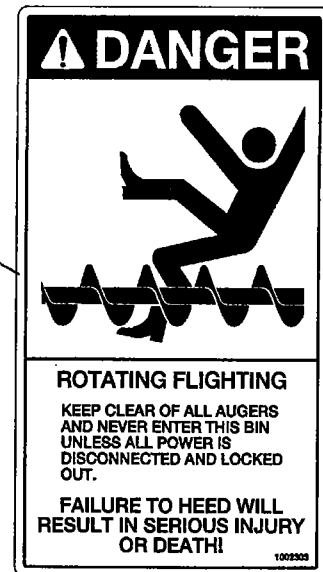
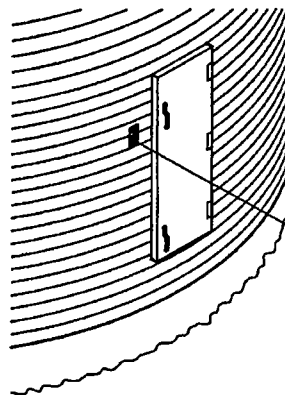
**CAUTION Sign No. 1002301.** This safety sign should be applied on the top side of auger housing.

- If the safety sign locations suggested are not in full view because of equipment modifications, other equipment in the area or any other reason, then locate the safety sign in a more suitable location.
- Be certain surface is clean, dry and free of dirt and oil. Peel paper backing from decals and stick into place. The adhesive backing will bond on contact.

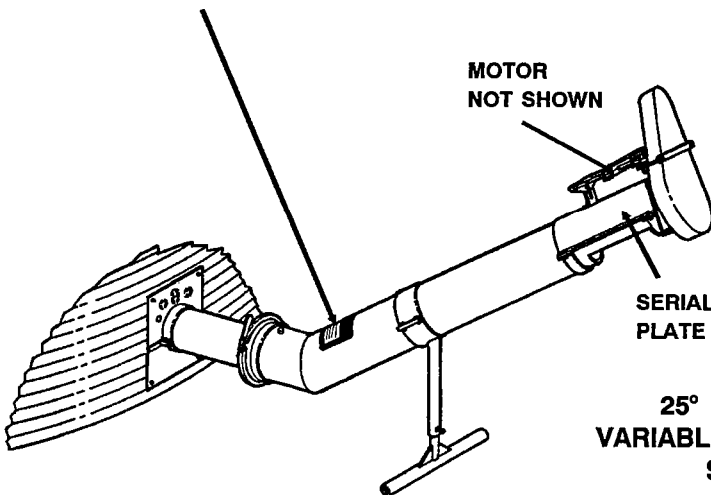
Please, remember safety signs provide important safety information for persons working near bin unloading equipment that is in operation.



**"CAUTION" DECAL  
Part No. 1002301**



**DANGER Sign No. 1002303**



**25° BIN UNLOADER SHOWN  
VARIABLE HEIGHT SHOWN ON BACK  
SIDE OF THIS PAGE.**

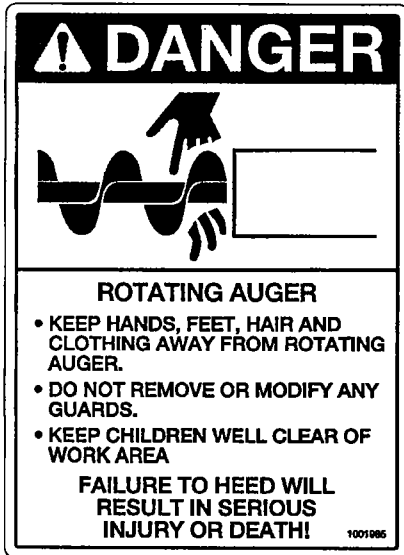
If the Safety Signs cannot be easily read for any reason or have been painted over, replace them immediately.

Additional Safety Signs may be obtained free of charge from a Hutchinson Dealer, Distributor or ordered from the factory.

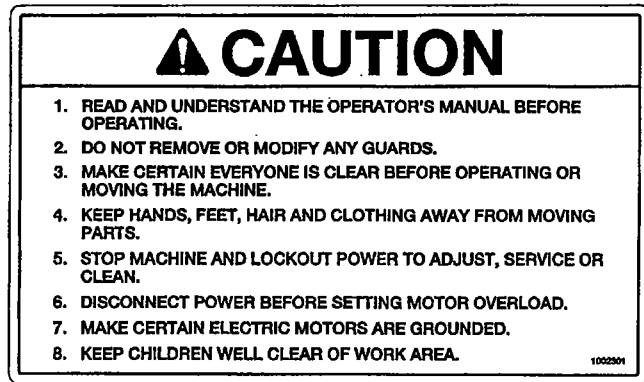
# SAFETY SIGN KIT FOR 25° BIN UNLOADER AND VARIABLE HEIGHT BIN UNLOADER

If the Safety Signs cannot be easily read for any reason or have been painted over, replace them immediately.

Additional Safety Signs may be obtained free of charge from a Hutchinson Dealer, Distributor or ordered from the factory.



"DANGER ROTATING AUGER"  
Part No. 1001985



"CAUTION" DECAL  
Part No. 1002301

