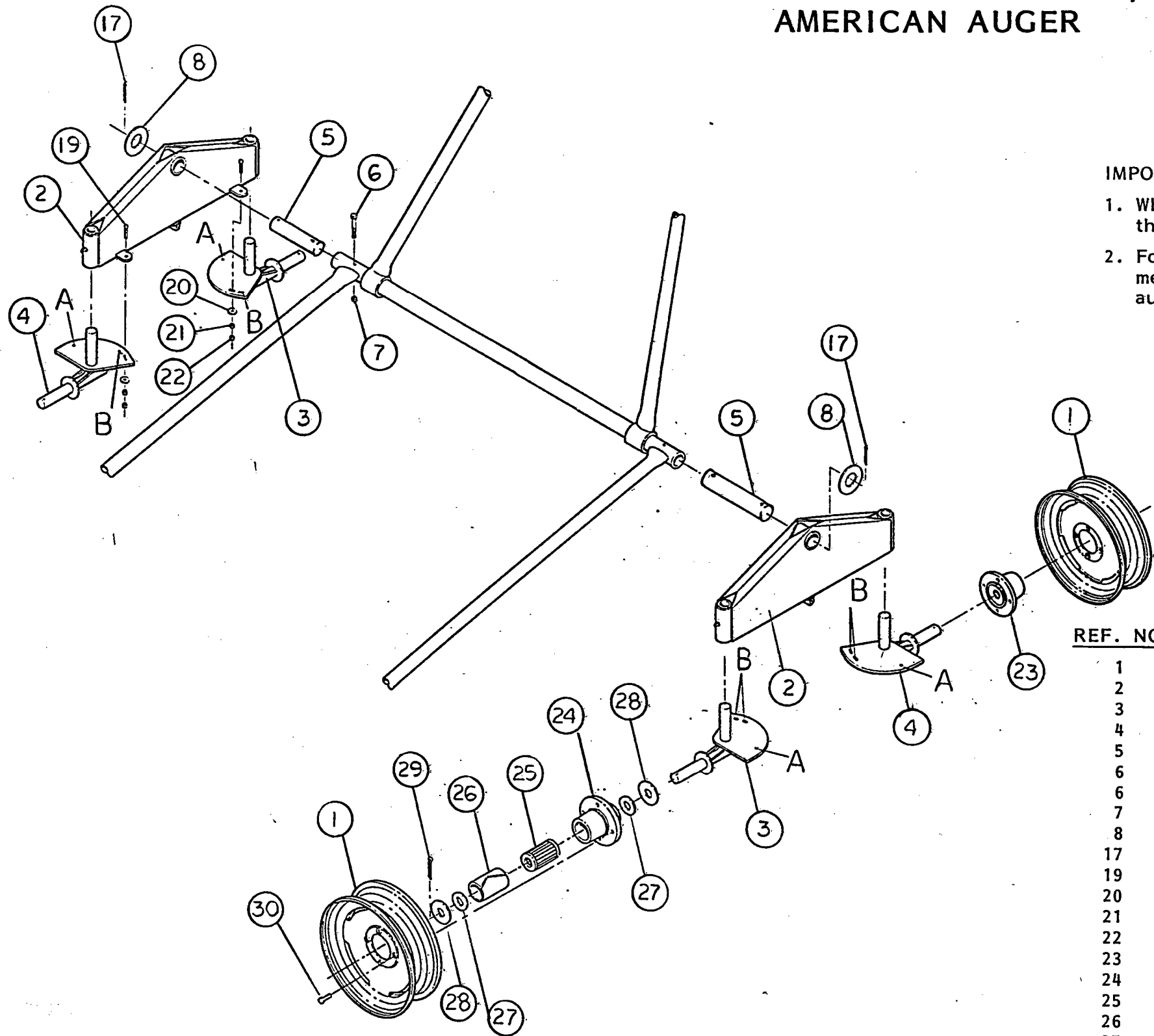


SWIVEL ARC KIT FOR 10" x 31', 41' & 51' AMERICAN AUGER



IMPORTANT NOTE

1. When transporting auger, be sure that the 1/2" x 1 1/2" bolts holding the swivel pivots are tight. Use hole marked A for transport position.
2. For swinging auger in an arc, use bolts in slots marked B. Use adjustment in slots (marked B) to align wheels to prevent skidding when moving auger in an arc.

REF. NO.	PART NO.	QTY.	DESCRIPTION
1	6393D	4	15" x 4.5 KB 4-bolt Wheel
2	6133A1	2	Swivel Support Base
3	6134A1	2	Swivel Spindle with positioning plate - right
4	6132A1	2	Swivel Spindle with positioning plate - left
5	1001812	2	Axle Stub 2" x 9 1/2" long
6	1002225		Bolt 1/2" x 3" for 57', 59' (Gr. 5)
6	4911		Bolt 1/2" x 3 1/2" for 62', 65'
7	33138		Locknut 1/2"
8	51101	2	2 1/8" x 3 11/32" Washer
17	D1165	2	Cotter Key, 1/4" x 3.00
19	33194	4	Bolt, 1/2" x 1 1/2" lg. Hex Head
20	33025	4	Flat Washer, 1/2"
21	D1143	4	Lock Washer, 1/2"
22	33183	4	Nut, 1/2" (non-lock)
23	40612	--	Hub Assembly
24	6392C	4	4-Bolt Hub
25	6390C	4	Wheel Bearings
26	6391C	4	Wheel Bearing Sleeve
27	6393C	4	1 1/4" Washer
28	5447A1	4	1 1/4" x 3" Washer
29	D1263		Cotter Pin 1/4" x 2"
30	6395C		Lub Bolt