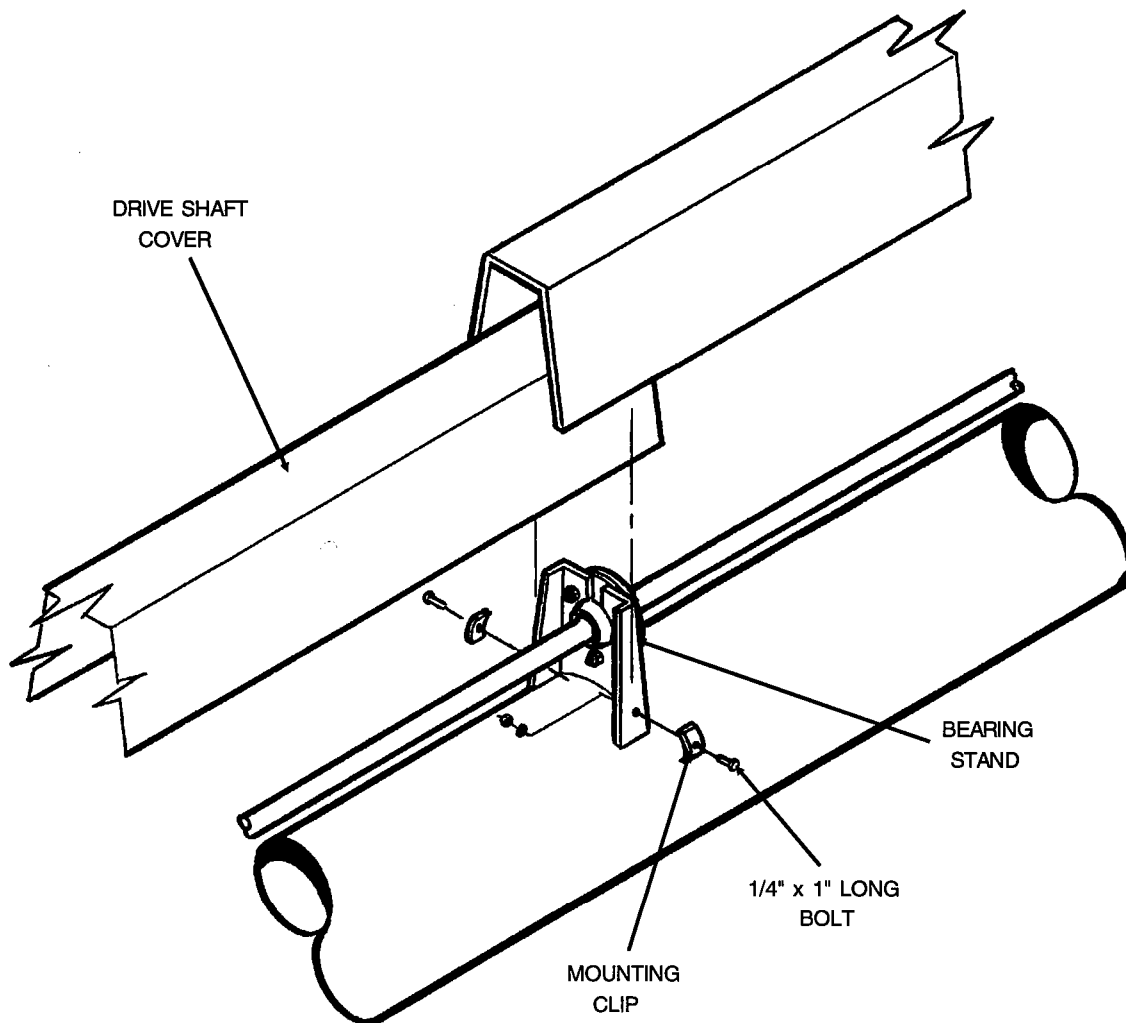


DRIVE SHAFT COVER CLIP KIT FOR 12" CENTURY AUGERS KIT # ASE-1002339

Secure drive shaft covers to the bearing stand using mounting clips and 1/4" x 1" long bolts, lockwashers and nuts.



Keep all safety shields and devices in place.

If there are problems assembling the components provided in this kit, please contact us for assistance.