

SWIVEL ARC KIT FOR 52', 62' & 72' MODEL INLINE AUGER

NOTICE: This kit is designed to fit 8" x 52', 8" x 62', 8" x 72', 10" x 52', 10" x 62' & 10" x 72' Model Inline Augers Only. **DO NOT** assemble it to any other augers.

ASSEMBLY

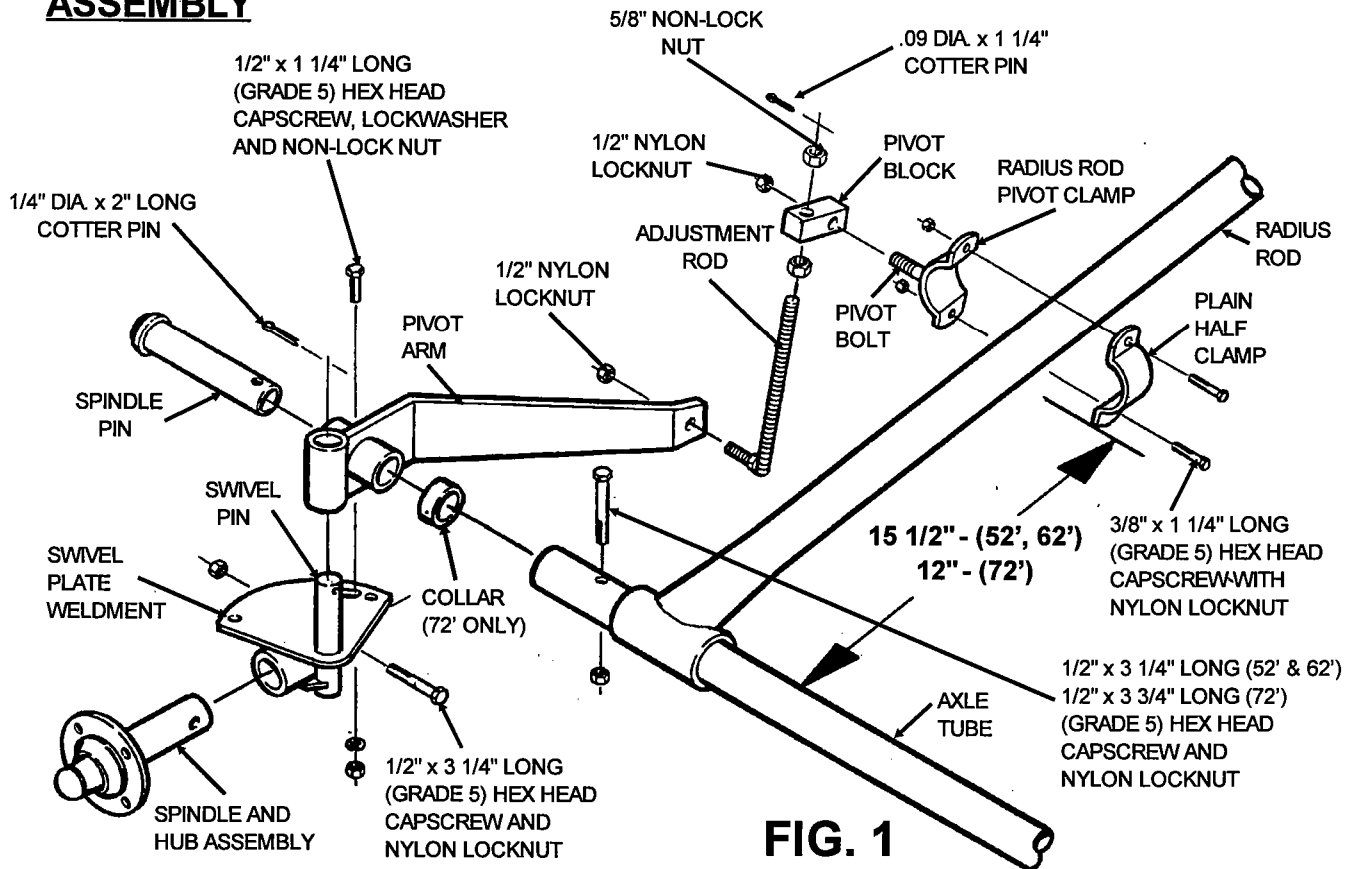


FIG. 1

TIRE AND RIM NOT SHOWN SO THE SPINDLE TO SWIVEL PLATE ASSEMBLY COULD BE CLEARLY ILLUSTRATED.

RIGHT SIDE OF UNDERCARRIAGE SHOWN (WHEN VIEWING THE AUGER FROM THE INTAKE END.)

NOTE: It would be best to jack up one side of auger, completely assemble the swivel arc components on that side before lowering the auger. Then jack up the other side of the auger and completely assemble the swivel arc components to that side. Before installing the swivel arc kit, make sure the auger is in its' lowered transport position.

- Step 1. Remove spindle and hub assembly from axle by removing 1/2" x 3 1/4" long (52' & 62') or 1/2" x 3 3/4" long (72') hex head capscrew from end of axle tube.
- Step 2. Attach pivot arm in place by using spindle pin and replacing the 1/2" hex head capscrew with a nylon locknut. For 72' auger length, assemble collar between pivot arm and axle tube.
- Step 3. Stick the 1/2" dia. threaded stub of adjustment rod into the hole at the end of the pivot arm and secure in place with 1/2" nylon locknut. **DO NOT** tighten nut completely down, the pivot arm must be allowed to pivot on the 1/2" threaded stud.
- Step 4. Spin a 5/8" non-lock nut onto the end of the adjustment rod. Then slide the end of the adjustment rod into the pivot block and secure with another 5/8" non-lock nut. Adjustment will be made after the rest of the swivel arc components are assembled into place. (Adjustments are shown on page 3.)

ASSEMBLY - CONT.

Step 5. Stick .09" dia. x 1 1/4" long cotter pin in 1/8" dia. hole at the end of the adjustment. Spread the legs on cotter pin. This will prevent the 5/8" non-lock nuts from spinning off the end of the adjustment rod.

Step 6. Attach pivot block to pivot bolt on radius rod pivot clamp. Hold in place with 1/2" nylon locknut. **DO NOT** tighten nut down, pivot block must pivot freely on pivot bolt.

Step 7. Mount the radius rod pivot clamp to radius rod using a plain radius rod clamp and two 3/8" x 1/4" long (grade 5) hex head capscrews with nylon locknuts.
IMPORTANT: The radius rod pivot clamp must be located 15 1/2" from axle.

Step 8. Apply grease to the swivel pin on swivel plate weldment. Slide swivel pin up into vertical tube on pivot arm. Secure in place with 1/4" dia. x 2" long cotter pin. Spread cotter pin to prevent the swivel plate from dropping out of the pivot arm's vertical tube.

Step 9. Install a 1/2" x 1 1/4" long (grade 5) hex head capscrew into the tab on pivot arm to hold swivel plate weldment in place. Use a lockwasher and non-lock nut to hold 1/2" x 1 1/4" HHCS in place.
NOTE: The position of swivel plate can be adjusted later after all the swivel arc components are completely assembled.

Step 10. Bolt the spindle and hub assembly into the tube on the bottom side of the swivel plate weldment. Hold the spindle and hub assembly in place by using 1/2" x 3 1/4" long (grade 5) hex head capscrew and nylon locknut. If the tire and rim was removed from hub earlier, go ahead and install the tire and rim onto the hub now.

Step 11. Before lowering the auger back down to the ground, check to see if the radius rod clamp is secure to the radius rod and the pivot block and adjustment are properly assembled.

Step 12. Lower the auger back down to the ground, then raise other side of the auger and assemble the swivel arc components to that side, following steps 1 through step 11.

ADJUSTMENTS

The swivel arc assembly should be adjusted so the tire is vertical (as shown in Fig. 2) when the auger is raised. The easiest way to do this is:

- A. Set the wheels so they are in line with the auger (as shown in Fig. 4 on page 4.)
- B. Raise and place the auger into working position.
- C. Using the 5/8" non-lock nuts on the adjustment rod, adjust the pivot arm so it is level with the ground.

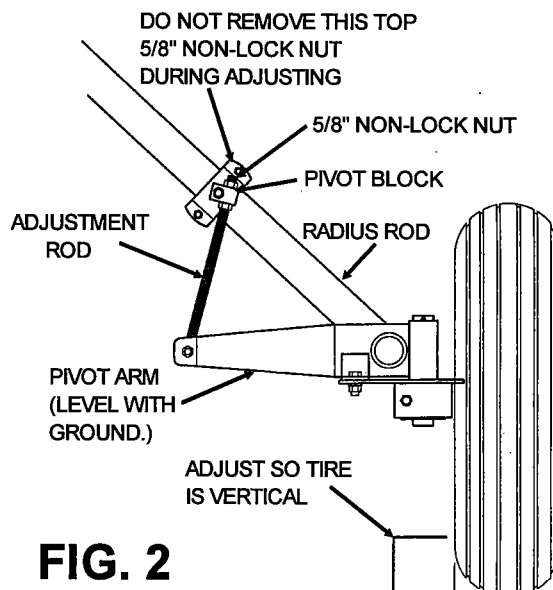


FIG. 2



CAUTION: There must be a cotter pin at the end of the adjustment rod to prevent the 5/8" non-lock nuts from coming off when adjusting. **DO NOT** remove this cotter pin. **DO NOT** adjust the 5/8" non-lock nut to the very end of the adjustment rod.

- D. Swing the tire into sideway travel setting (Position B shown in Fig. 5) or arc travel setting (Position C shown in Fig. 6.) See assembly step 9. It may be necessary to use a jack to support some auger weight when changing this setting. **DO NOT** lift tire off of ground.

To lower auger do Steps A thru D in reverse order.

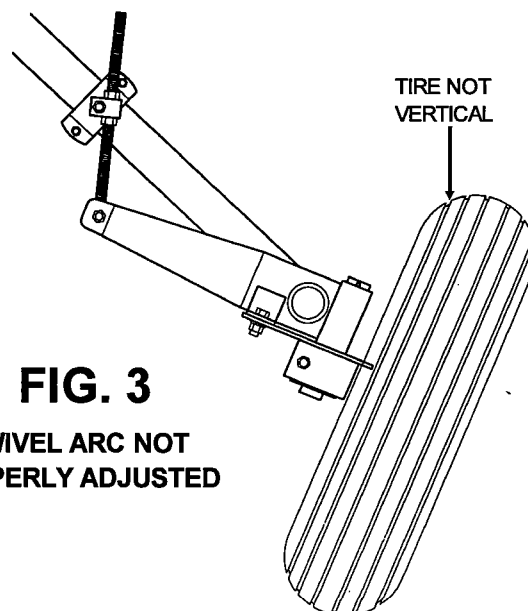


FIG. 3
SWIVEL ARC NOT PROPERLY ADJUSTED

SWIVEL PLATE SETTINGS

The swivel arc plates can be set into three different positions.

- Position A** - Allows wheels to be in line with auger so the auger can be towed in transport position. See Fig. 4 on page 4.
- Position B** - Allows wheels to be set in line with axle so auger can be moved perpendicular to the auger. See Fig. 5 on page 4.
- Position C** - Allows wheels to be set at a slight angle to the axle so the auger can be pivoted to move in an arc with the auger intake with the center point of the arc. See Fig. 6 on page 4.

SWIVEL PLATE POSITIONS

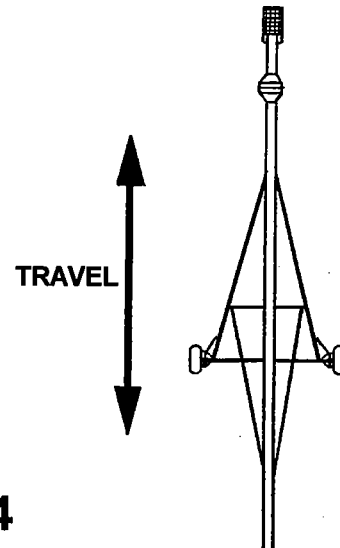
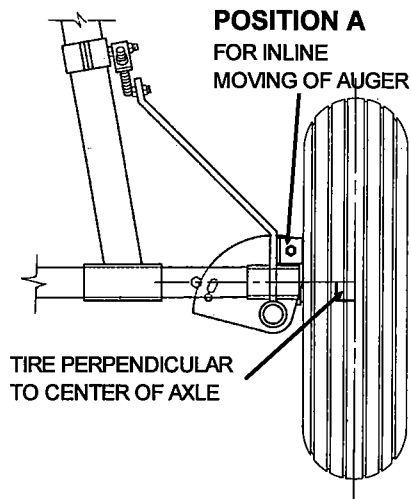


FIG. 4

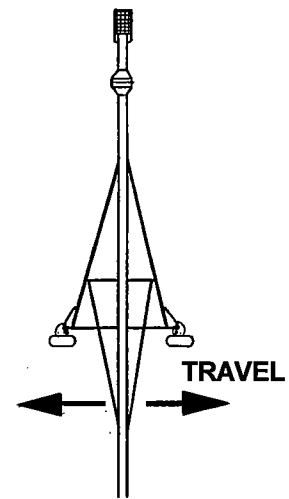
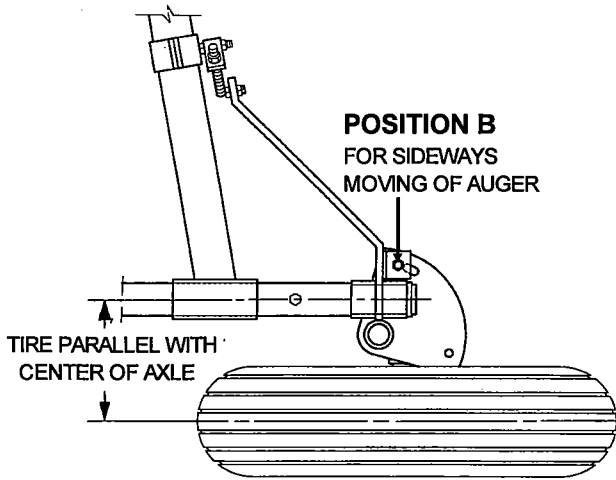


FIG. 5

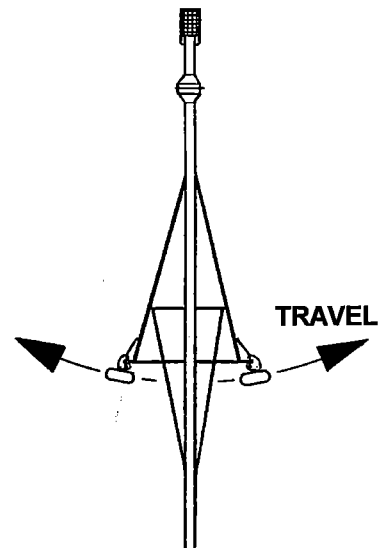
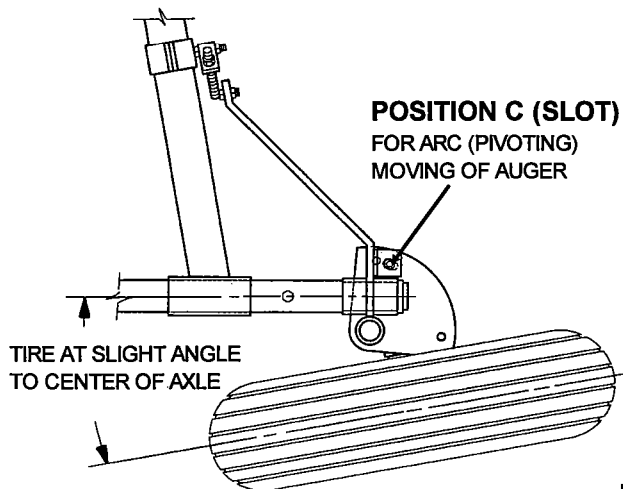
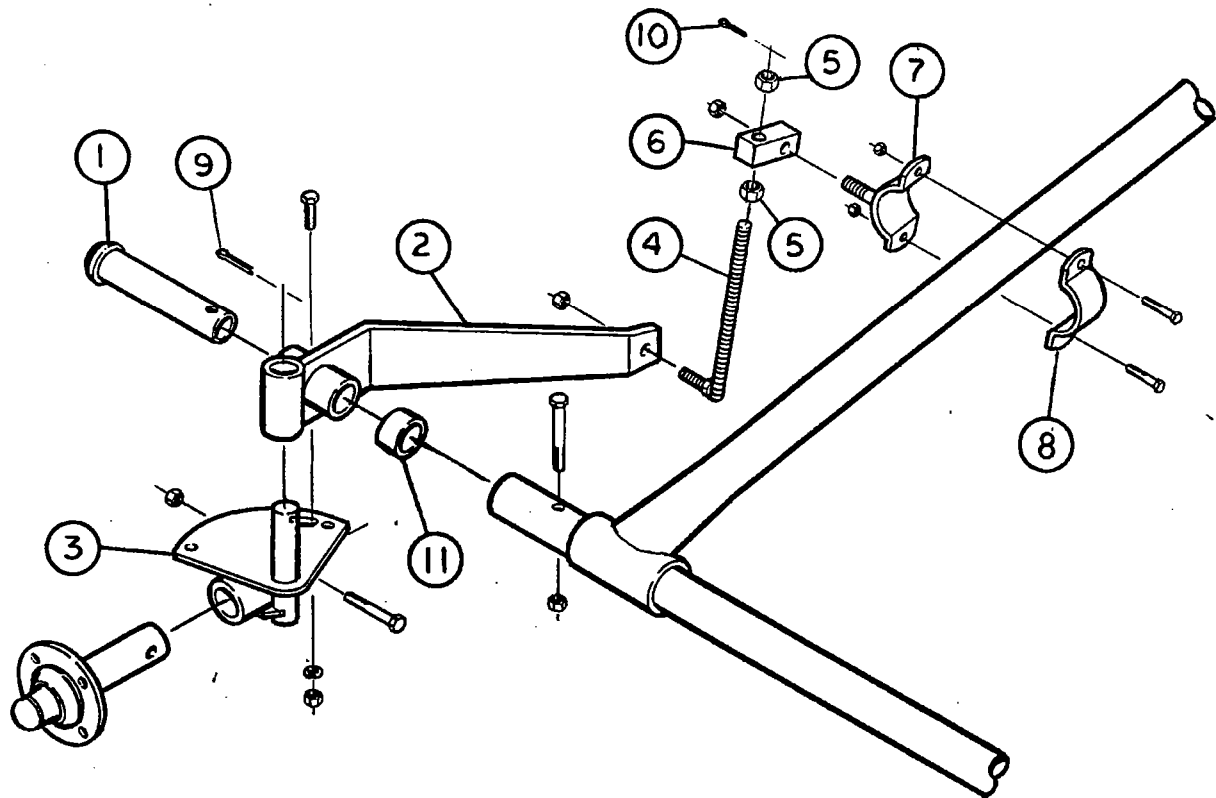


FIG. 6

SWIVEL ARC KIT FOR 52', 62' & 72' MODEL INLINE AUGER PARTS LIST



| REF. NO. | PART NO. | DESCRIPTION |
|----------|----------|--|
| 1 | 1008348 | Spindle Pin 2 3/32" dia. x 9 3/4" long |
| 2 | --- | Pivot Arm Weldment |
| | 1008352 | f/Right Side of Undercarriage (shown) |
| | 1008351 | f/Left Side of Undercarriage |
| 3 | --- | Swivel Plate Weldment |
| | 1008350 | f/Right Side of Undercarriage (shown) |
| | 1008349 | f/Left Side of Undercarriage |
| 4 | 1008354 | Adjustment Rod |
| 5 | D1170 | 5/8" Non-Lock Nut |
| 6 | 1008353 | Pivot Block |
| 7 | 1008355 | Radius Rod Pivot Clamp (52' & 62') |
| 7 | 1013105 | Radius Rod Pivot Clamp (72') |
| 8 | 1011076 | Radius Rod Clamp Plain (52' & 62') |
| 8 | 1013107 | Radius Rod Clamp Plain (72') |
| 9 | D1263 | 1/4" dia. x 2" long Cotter Pin |
| 10 | 40629 | .093 dia. x 1 1/4" Cotter Pin |
| 11 | 1013104 | Spacer Collar |