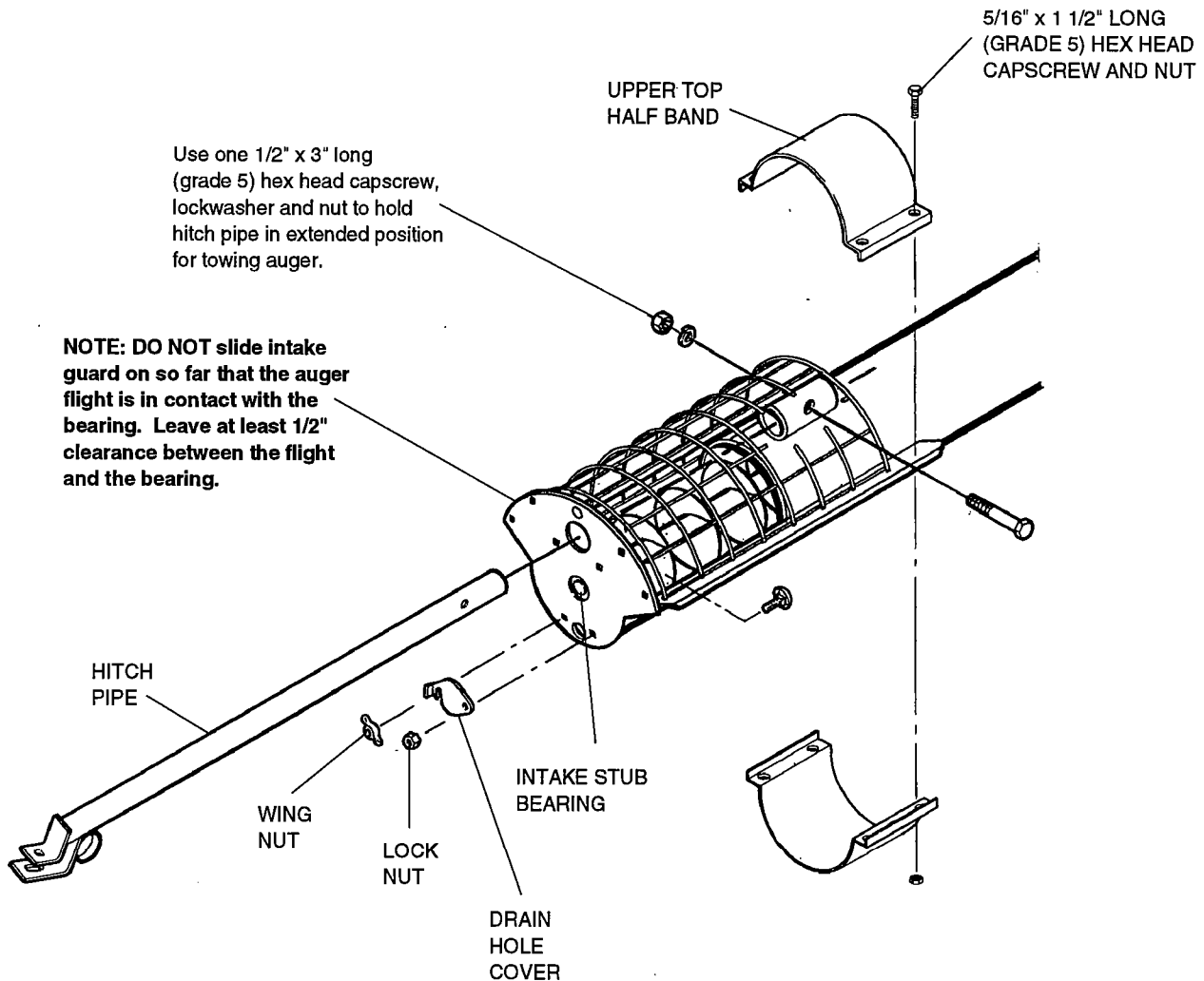


10" INTAKE GUARD ASSEMBLY

Install intake guard at intake end of auger housing. As you slide the assembly over the flighting and the auger housing, guide the intake stub shaft through the bearing. Clamp the intake guard to the auger housing with the top upper half band above stop, welded to the auger housing.

Install drain hole cover using two 5/16" x 3/4" long carriage bolts with a locknut for the pivot hole and a wing nut for the slot.



PARTS LIST

PART NO.	DESCRIPTION
1008109	Hitch Pipe
1015280	Intake Guard, less bands
5044A1	Half Band, 10" dia.
1013526	Drain Hole Cover