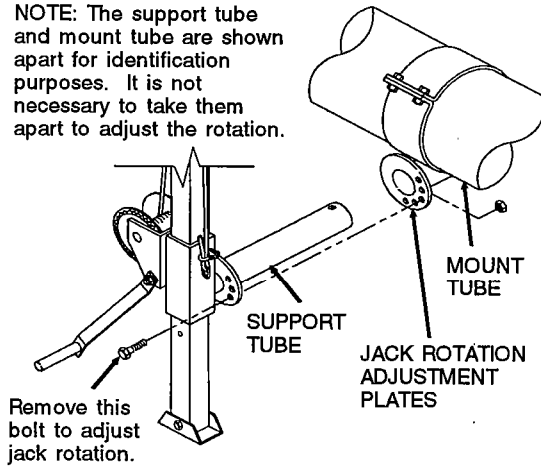


OPERATING INSTRUCTIONS - HITCH JACK FOR PORTABLE AUGERS

1. The hitch jack is intended to lift the intake for hitching and unhitching purposes. The jack should be positioned approximately vertical to the ground. To adjust this, remove the bolt connecting the support tube to the mount tube, align the appropriate holes, and securely replace the bolt and nut. See Fig. 1. Crank the winch handle clockwise to extend the jack. See Fig. 3. Raise the intake only as much as necessary to attach to the drawbar of the towing vehicle.

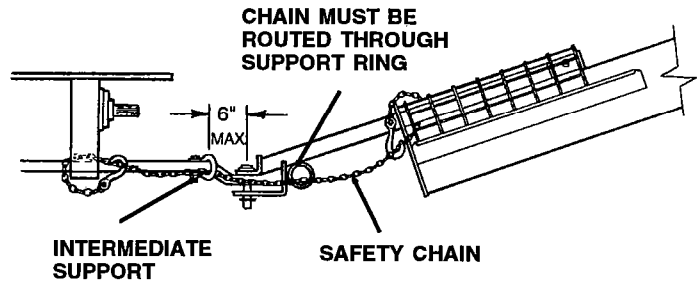
NOTE: The support tube and mount tube are shown apart for identification purposes. It is not necessary to take them apart to adjust the rotation.



**POSITION JACK
VERTICAL TO GROUND
FIG. 1**

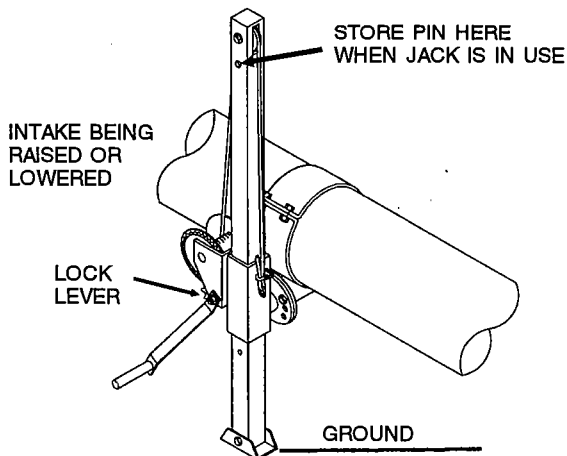


Never raise the intake end higher than necessary. Weight transfers rapidly to the head end when the intake is raised.

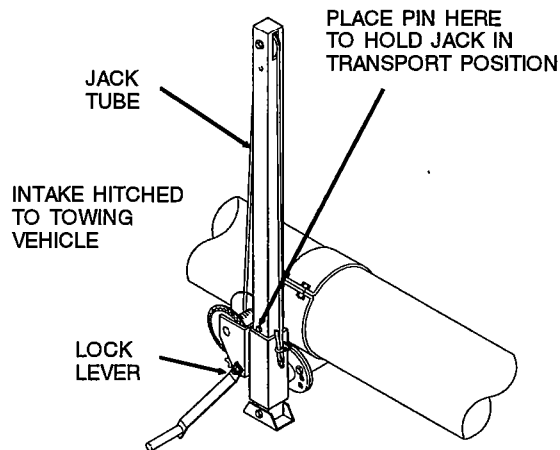


**ATTACH SAFETY
CHAIN
FIG. 2**

2. Pin the auger hitch to the tractor drawbar. Make certain the hitch pin is surely attached.
3. An auxiliary attachment system (safety chain) is required to retain the connection between towing and towed machines in the event of separation of the primary attachment system. The safety chain should be routed through the intake safety screen and around the hitch pipe. Route the chain through the support ring on the hitch pipe and anchor it to the tractor. A clevis or intermediate chain support should be fastened to the tractor drawbar no farther than 6" from the hitch pin. See Fig. 2. NOTE: The safety chain is not furnished with the auger or the jack.
4. After the auger is secured to the towing vehicle, release the winch lock lever (slight pressure on the winch handle will be necessary) so the cable can be let out and the jack tube raised to transport position. Lift the jack tube until the storage pin can be inserted. See Fig. 4. Remove slack from the cable to eliminate jack vibration.



**JACK POSITION DURING USE
FIG. 3**



**TRANSPORT POSITION
FIG. 4**

ASSEMBLY INSTRUCTIONS

HITCH JACK

1. For 10" and 12" augers, band the jack mount tube to the auger housing using four 3/8" x 1 3/4" long (grade 5) hex head capscrews with locknuts. For 8" augers use four 5/16" x 1 1/2" long (grade 5) hex head capscrews with locknuts. Make sure the mount tube is level. The recommended location for the mount is adjacent to the drive housing on the intake side. See Inset A. (The jack may be installed on either the right or left-hand side of the auger. Face the adjustment plate toward the side the jack will be.) NOTE: For top drive augers locate the jack mount tube between 3 ft. and 4 ft.-6 inches from the auger lower end. On PTO drive augers keep the jack on the intake side of the gearbox.
2. Slide the support tube into the mount tube on the housing. A 3/8" x 2 1/2" long hex head capscrew with locknut through the hole in the end of the tube will keep it from sliding out.
3. With the slotted end up, slide the square stand tube through the support tube weldment.
4. Attach the base plate to the bottom of the stand tube using a 1/2" x 3 1/2" long (grade 5) hex head capscrew with locknut.
5. Bolt the pulley into the stand tube using the 1" diameter spacer and a 1/2" x 3" long (grade 5) hex head capscrew with locknut.
6. Connect the winch to the support tube weldment using locknuts and flat washers with the welded studs. NOTE: Use a flat washer on both sides. (See drawing.)
7. Install the cable starting at the winch end. See Inset B. Wrap the cable once around the winch drum. Pass the short end through the hole in the drum side. Attach the cable to the outside of the drum with the keeper provided. (The cable should extend past the clamp 1".)
8. Thread the cable through the slot in the top of the stand, over the pulley and down to the eye on the support tube weldment. Secure the cable to the eye using a 3/16" cable clamp. The u-bolt portion of the clamp should be against the short end of the cable. Wind up excess cable onto the winch. The cable is properly attached to the winch when there is a clicking sound as the cable is being wound onto the winch drum. There should be at least three complete wraps of cable on the drum when the support tube weldment is in transport position (at the bottom of the stand tube).
9. Rotate the stand until it is approximately vertical. Use a 1/2" x 1" long (grade 5) hex head capscrew with locknut through the adjustment plates to hold it in position.
10. Install a 1/2" x 3 1/8" long washer head pin in the stand and secure it with the hair pin clip. See Fig. 5.

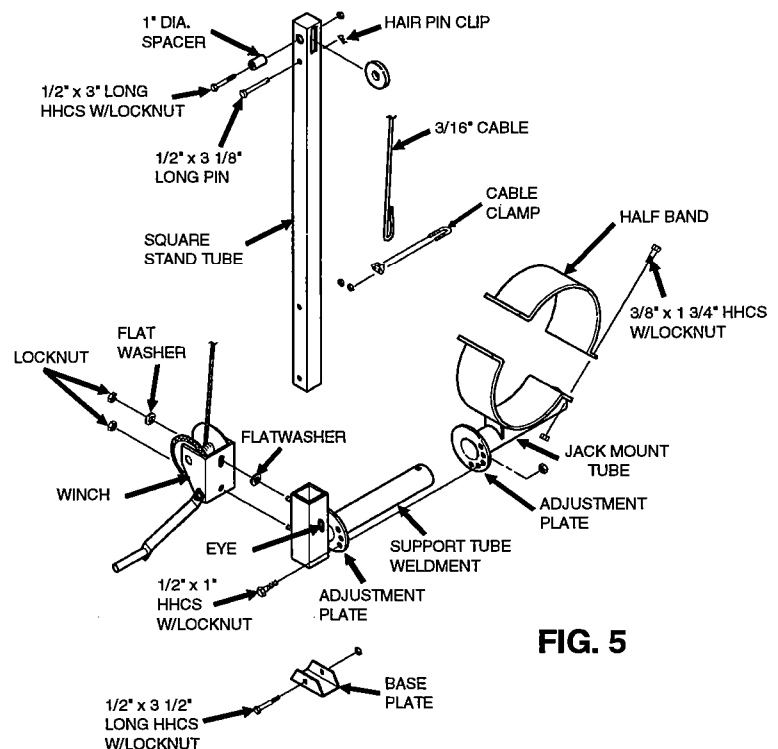
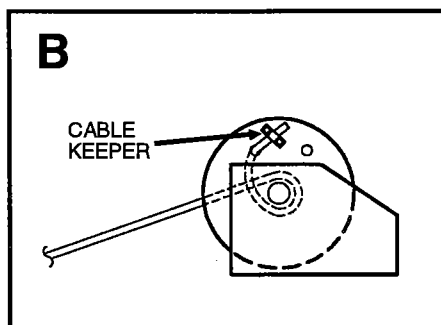
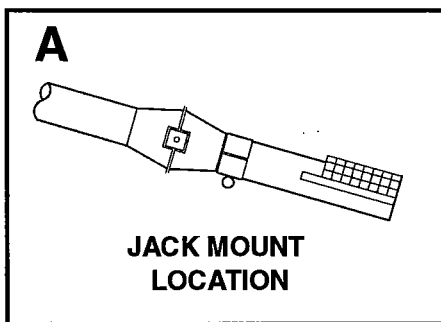
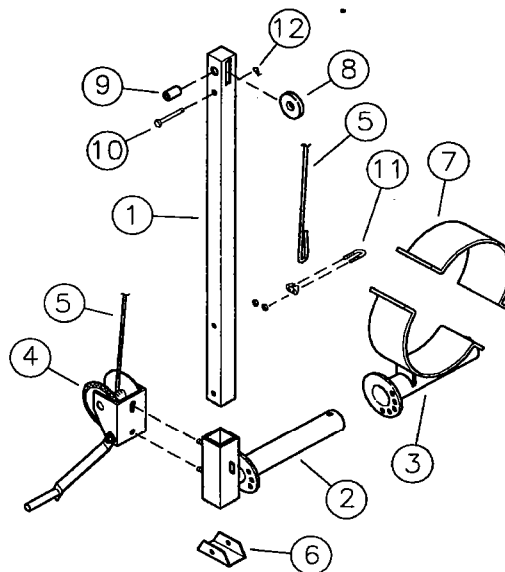


FIG. 5

HITCH JACK

REF. NO.	PART NO.	DESCRIPTION
1	1014607	Square Stand Tube
2	1014614	Support Tube Weldment
3	1016542	Band-on Mount for 8"
3	1016543	Band-on Mount for 10"
3	1014613	Band-on Mount for 12"
4	3359A11	T1000A Winch w/Handle
5	1014618	Cable, 3/16" x 8'
6	1014605	Base Plate
7	5042A1	8" Half Band, 4" wide
7	5930A1	10" Half Band, 4" wide
7	5931A1	12" Half Band, 4" wide
8	3223A1	Cable Pulley, 1" Bore
9	1015869	Spacer, 1" Dia. x 13/16" long
10	1004275	Washer head pin, 1/2" x 3 1/8" long
11	5321C	Cable Clamp, 3/16"
12	635164	Hair Pin Clip



WINCH FOR JACK

COMPLETE WINCH NO. 3359A11

REF NO.	HUTCHINSON/		DESCRIPTION
	MAYRATH PART NO.	FULTON PART NO.	
A	40868	1514S01	Ratchet Pawl Kit
B	40839	4254S01	Pinion Shaft Kit
C	40360	6312	Handle*
--	41600	5621S01	Cable Keeper Kit

SPECIFICATIONS:
FULTON MODEL T1000A
CAPACITY: 1000 LB.
GEAR RATIO: 4.1 TO 1

*Handle nut (1/2" NC) not included.

NOTE: Repair parts for winch can also be purchased directly from:
 Fulton Mfg. Corp.
 P.O. Box 19903
 Milwaukee, WI 53219
 715-693-1700

