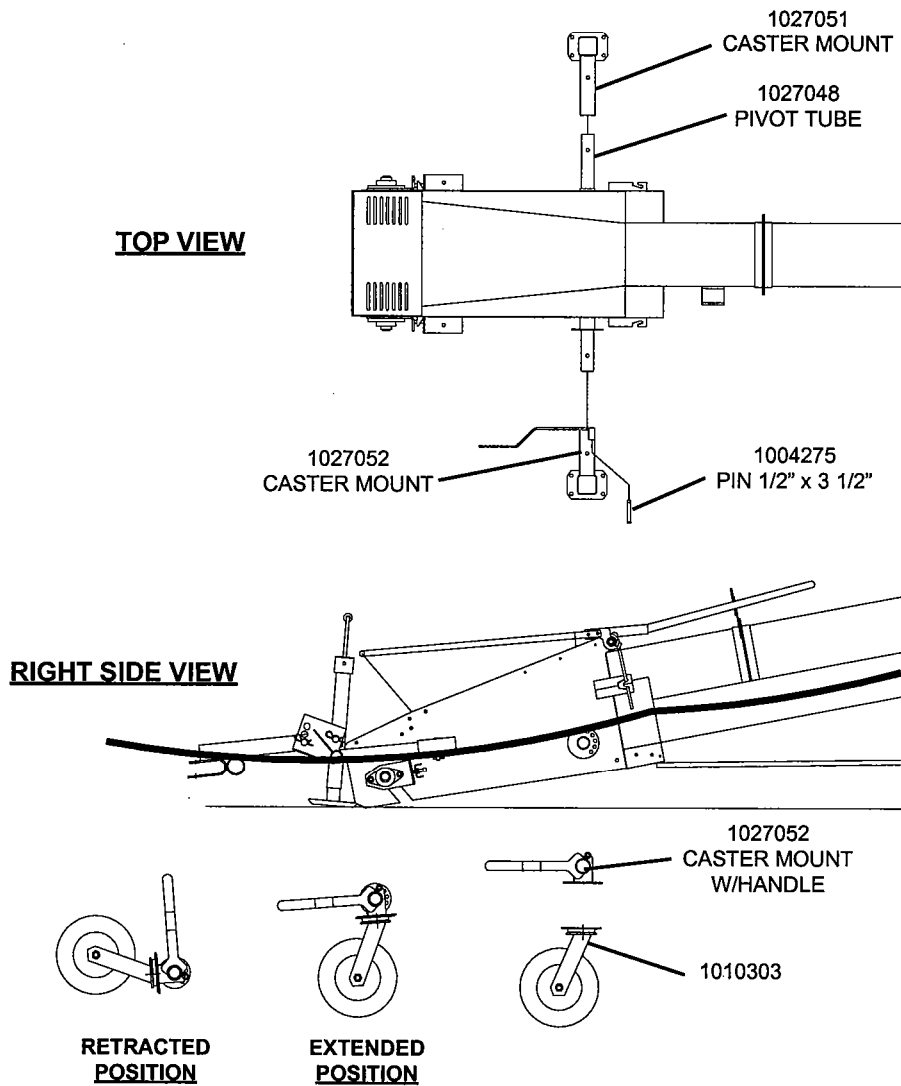


INSTALLATION INSTRUCTIONS

DOLLY WHEEL KIT FOR SINGLE BELT CONVEYOR

ASSEMBLY

1. Insert the 2 3/8" diameter x 37 1/2" long pivot tube through the mounting tube of the inlet housing frame. Note: On units with serial numbers prior to 906365, the winch jack mounts to this tube. To install the dolly wheel on these units (with winch jack), it will be necessary to replace the hitch weldment (Part No. 1023686) with a new hitch assembly (Part No. 1024785). It will also require the use of a new screw type jack (Part No. 1024776).
2. Slide the caster mount with handle (Part No. 1027052) over the right end of the pivot tube until the hole in the pivot tube and the hole in the caster mount tube are aligned. Insert a 1/2" x 3 1/4" long bolt through the holes and secure in place with a 1/2" lock nut.



3. Slide the other caster mount (Part No. 1027051) over the other end of the pivot tube. Again, align the holes and secure in place with a 1/2" x 3 1/4" long bolts and locknut.

INSTALLATION INSTRUCTIONS

DOLLY WHEEL KIT FOR SINGLE BELT CONVEYOR

ASSEMBLY - CONT.

4. Mount a swivel caster wheel assembly to each of the caster mounts with four 1/2" x 1 1/2" long bolts with flat washers and locknuts.
5. Lower the wheels into the extended position and insert the 1/2" diameter x 3 1/2" long pin through the guide tube in the right side of the caster mount and the top mounting hole of the mount plate on the side of the inlet housing. Insert the hair pin keeper to retain pin in place.

OPERATION

IMPORTANT: The dolly wheel kit is designed to aid in moving the inlet end of the conveyor more easily. It should only be used when the conveyors is down in the fully lowered position.



DANGER: Be alert to overhead obstructions and electrical wires. Failure to do so may result in electrocution. Lower conveyor well below level of power lines before moving. Maintain at least ten (10) feet of clearance.

1. Use hand crank jack to lift conveyor weight off dolly wheels before retracting to transport position.
2. Pull the 1/2" pin and lift handle of caster mount to rotate wheels up for transport. Align guide tube of the caster mount with the lower hole of the mount plate on the side of the inlet housing and replace the 1/2" pin.
3. To extend the dolly wheels pull the 1/2" pin while holding the lift handle of the caster mount. Let the casters rotate down until the wheels contact the ground. Raise conveyor inlet with hand crank jack until the 1/2" pin can be inserted through the guide tube of the caster mount and the top mounting hole of the mount plate.
4. Lower weight of conveyor onto dolly wheels. NOTE: It works best to turn the wheels in the direction that the conveyor is to be moved before lowering the weight from the jack onto the wheels.