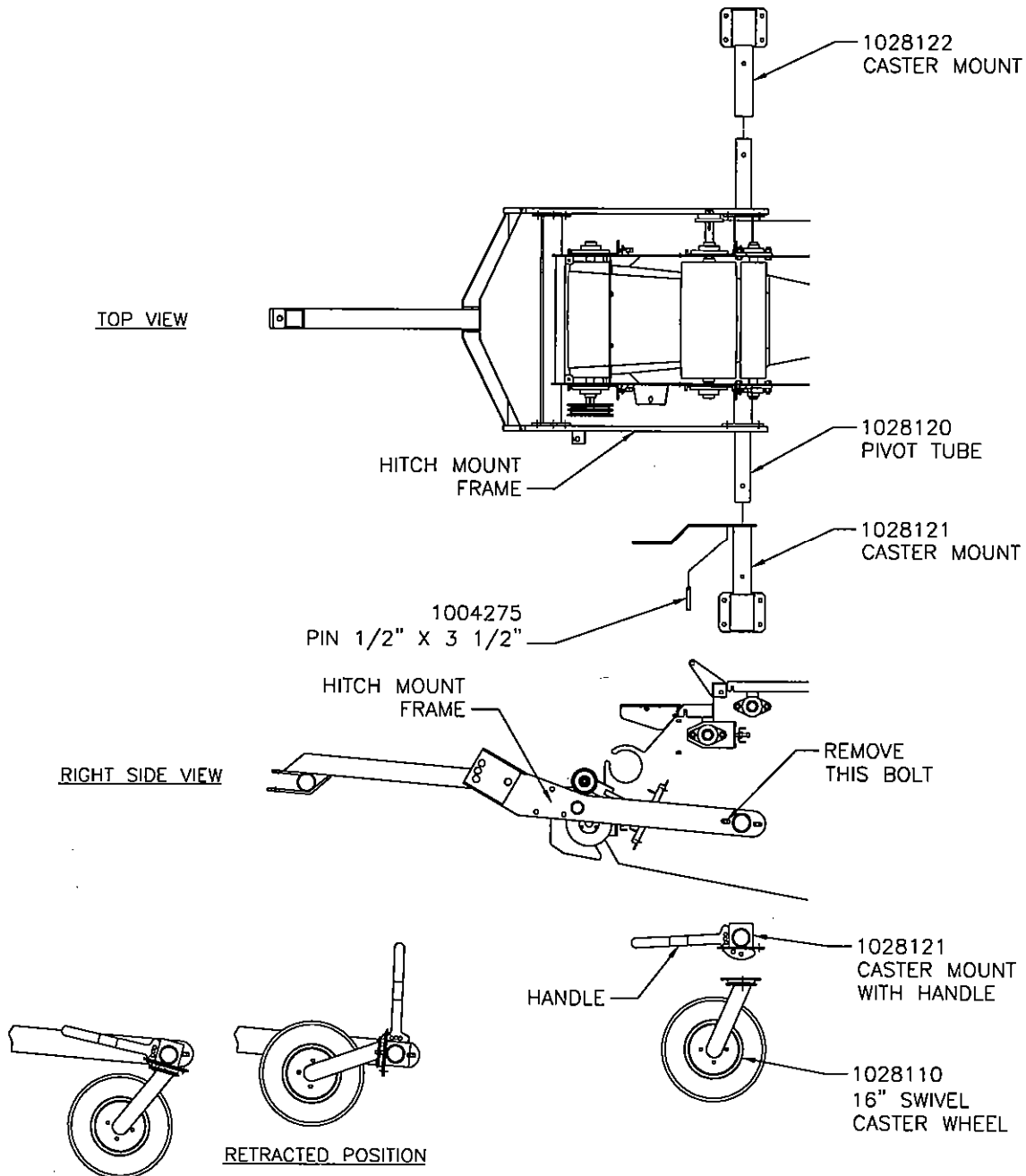


INSTALLATION INSTRUCTIONS

HEAVY DUTY DOLLY WHEEL KIT FOR SQUEEZE BELT® CONVEYOR

ASSEMBLY

1. Insert the 2-3/8" diameter x 56-3/8" long pivot tube through the rear mounting tube of the hitch mount frame. The tube should extend an equal distance each end.
2. Slide the caster mount with handle (Part No. 1028121) over the right end of the pivot tube until the hole in the pivot tube and the hole in the caster mount tube are aligned. Insert a 1/2" x 3-3/4" long bolt through the holes and secure in place with a 1/2" lock nut.



3. Slide the other caster mount (Part No. 1028122) over the other end of the pivot tube. Again, align the holes and secure in place with a 1/2" x 3-3/4" long bolts and locknut.

INSTALLATION INSTRUCTIONS

HEAVY DUTY DOLLY WHEEL KIT FOR SQUEEZE BELT® CONVEYOR

ASSEMBLY - CONT.

4. Mount a swivel caster wheel assembly to each of the caster mounts with four 1/2" x 1 1/2" long bolts with flat washers and locknuts.
5. Remove the front mounting bolt from the right rear hitch mount plate.
6. Lower the wheels into the extended position and insert the 1/2" diameter x 3 1/2" long pin through the hole in the handle plate on the caster mount and the front mounting hole of the hitch mount plate (hole where bolt was just removed). Insert the hair pin keeper to retain pin in place.

OPERATION

IMPORTANT: The dolly wheel kit is designed to aid in moving the inlet end of the conveyor more easily. It should only be used when the conveyors is down in the fully lowered position.



DANGER: Be alert to overhead obstructions and electrical wires. Failure to do so may result in electrocution. Lower conveyor well below level of power lines before moving. Maintain at least ten (10) feet of clearance.

1. Use hand crank jack to lift conveyor weight off dolly wheels before retracting to transport position.
2. Pull the 1/2" pin and lift handle of caster mount to rotate wheels up for transport. Align other hole of handle plate with hitch mount hole and replace 1/2" pin.
3. To extend the dolly wheels pull the 1/2" pin while holding the lift handle of the caster mount. Let the casters rotate down until the wheels contact the ground. Raise conveyor inlet with hand crank jack until the 1/2" pin can be inserted through the handle and hitch plate.
4. Lower weight of conveyor onto dolly wheels. **NOTE:** It works best to turn the wheels in the direction that the conveyor is to be moved before lowering the weight from the jack onto the wheels.