

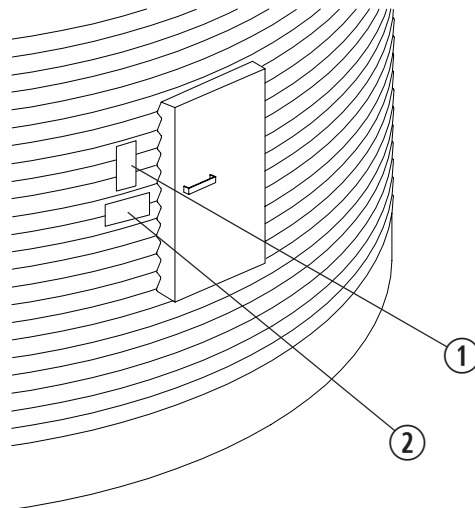
## BIN SAFETY SIGN INSTRUCTIONS

### SAFETY DECALS

**DANGER** Sign No's. 1002303 and 1002304 were supplied with the bin sweep auger. These safety signs should be applied to the side of the bin near the opening so they can be viewed by people entering into the bin or storage building. Do Not cover any safety signs, or any other signs that are already there.

- If the safety sign locations suggested are not in full view because of equipment modifications, other equipment in the area, or any other reason, then locate the safety signs in a more suitable location.
- Be certain the surface area is clean, dry and free of dirt and oil. Peel paper backing from decals and stick into place. The adhesive backing will bond on contact.

Please, remember safety signs provide important safety information for persons working near bin unloading equipment that is in operation.



**DANGER Sign,  
Part No. 1002303**



**DANGER Sign, Part No. 1002304**

If the Safety Signs cannot be easily read for any reason, or have been painted over, replace them immediately.

Additional Safety Signs may be obtained free of charge from your dealer, distributor, or ordered from the factory.

**Order Safety Signs No. 1002303 and/or 1002304.**

**BIN SAFETY SIGN  
ENCLOSED**

**Instructions on back  
side of this sheet.**