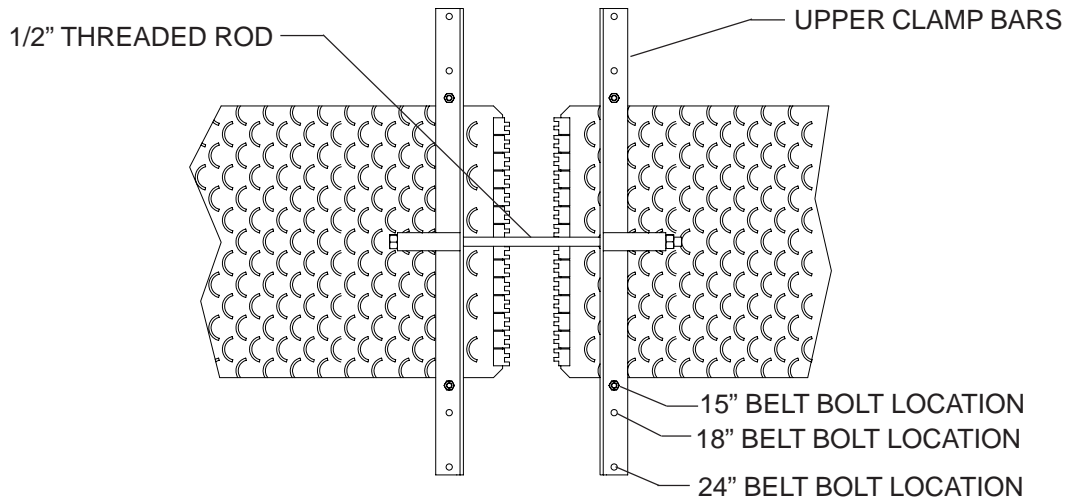


INSTALLATION INSTRUCTIONS

BELT CONNECTION CLAMP TOOL



1. Insert the two belt ends between the upper and lower clamp bar angles and tighten the four 5/16" x 1" bolts to secure the belt.

2. Tighten the 1/2" threaded rod to pull the belt.

