

INSTALLATION INSTRUCTIONS

DISCHARGE DIVERTER KIT FOR SQUEEZE BELT CONVEYORS

ASSEMBLY

1. Remove the plastic discharge spout from the discharge housing.

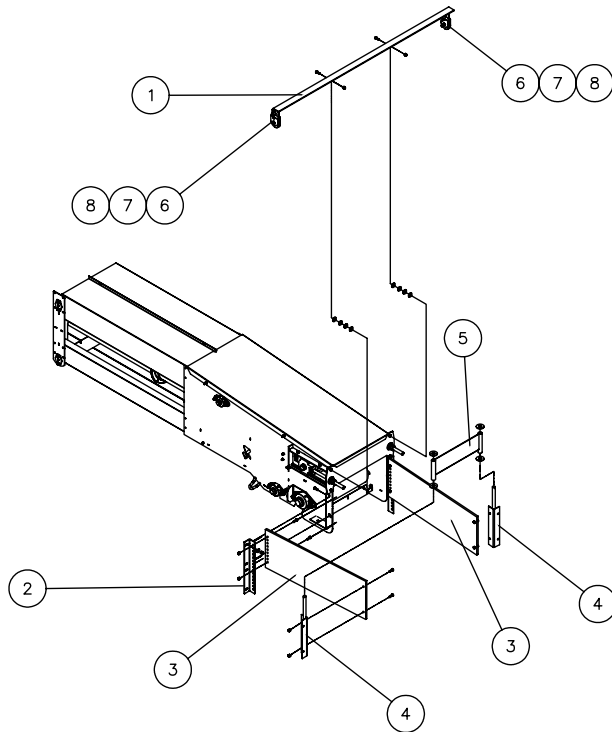


FIG. 1

4. Mount a pivot rod weldment (Item 4) to the other end of each UHMW panel (Item 3) using two 3/8" x 1-1/4" long bolts with nylon locknuts. Use two 3/8" flat washers per bolt (one under head and one under bolt).

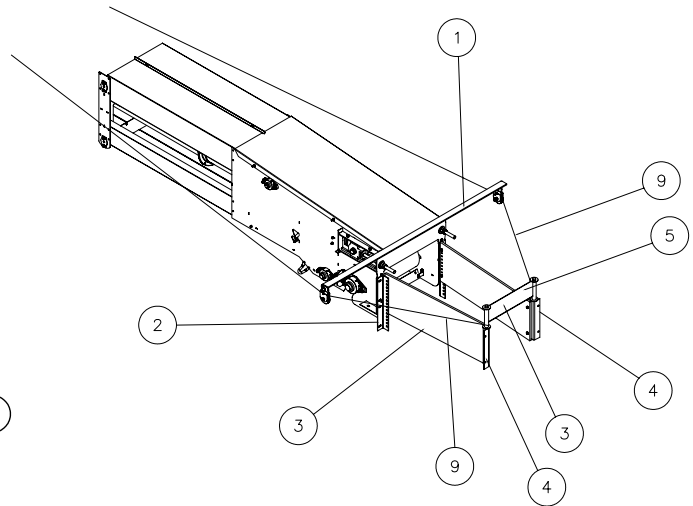


FIG. 2

2. Referring to Figs. 1, 2 & 9, fasten the two mount angles (Items 2) to the four mounting slots in the discharge housing that were used to mount the discharge spout. Use four 3/8" x 1-1/4" long bolts with nylon locknuts. Use two 3/8" flat washers per bolt (one under head and one under nut.)
3. Mount a UHMW panel (Item 3) to each of the mounting angles (Item 2), using two 3/8" x 1-1/4" long bolts with nylon locknuts. Use two 3/8" flat washers per bolt (one under head and one under nut). The end of the UHMW panel with the nine holes is used.

5. Slide a 3/4" flat washer over each of the pivot rods of the pivot rod weldment (Item 4).
6. Slide the tubes of the pivot plate weldment (Item 5) over the rods of the pivot rod weldment (Item 4). Install another 3/4" flat washer over each pivot rod and secure in place with a 3/16" x 1-1/2" long cotter pin in each pivot rod.
7. Mount the top cable anchor angle (Item 1) across the top end of the discharge housing. Use two 3/8" x 2" long bolts and nylon lock nuts. Place four 3/8" flat washers at each bolt between the housing and the angle (Item 1) to space the angle away from the housing. This provides room for the discharge cover to fit between the housing and the top cable anchor angle.

INSTALLATION INSTRUCTIONS

DISCHARGE DIVERTER KIT FOR SQUEEZE BELT CONVEYORS

ASSEMBLY - CONT.

8. Refer to Fig. 3 and assemble the two cable pulleys (Items 7) between the pulley clevis plates (Items 6). There should be a pulley bushing (Item 8) inserted into the bore of each pulley (Item 7). Use a 1/2" x 2" long bolt and lock nut to secure each pulley.

9. Hook a pulley clevis assembly (from Step 8) into the 1-1/4" diameter holes in each end of the top cable anchor angle (Item 1).

10. Install a 1/4" x 1-1/4" long bolt into each pulley clevis assembly and secure with a 1/4" side depress lock nut. These bolts serve to keep the cable from coming off the cable pulley (Item 7) during operation.

11. Referring to Figs. 4 and 5, install the cable handle latch brackets (Items 10) to the top of the lowest conveyor return roll support. The brackets (Items 10) will mount with the existing 1/4" bolts used to mount the upper wind guard panels. There will be a bracket (Item 10) on each side of the conveyor.

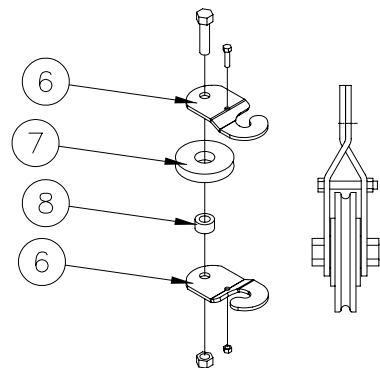


FIG. 3

12. Fasten a cable pull handle (Item 11) to a section of 3/16" chain (Item 12) that is 21 links in length. Use a 5/16" x 1" long bolt with flat washer and nylon locknut. Repeat for second handle and chain.

13. If the conveyor truss side bars or angles do not have the mounting holes for the cable guides, it will be necessary to field drill them. Measure up approximately 14-1/2" from the lower bend of the truss side and drill two 13/32" diameter holes 15/16" apart on centers. (See cross section view of Fig. 5.)

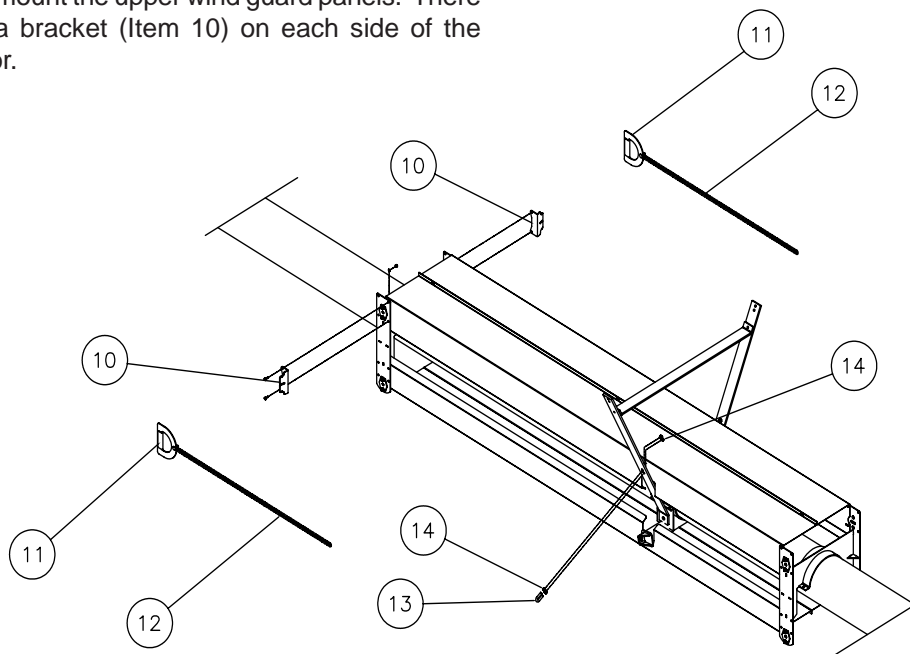


FIG. 4

INSTALLATION INSTRUCTIONS

DISCHARGE DIVERTER KIT FOR SQUEEZE BELT CONVEYORS

ASSEMBLY - CONT.

14. Enough u-bolts are provided for installation at three truss supports. On 35' & 45' models, there is only one truss support. Thread two 3/8" non-lock nuts onto each 3/8" u-bolt until the nuts are threaded on as far as they will go. Install the u-bolts through the holes drilled in Step 13 and install two more 3/8" non-lock nuts top secure in place.
15. Thread the two 3/16" cables (Items 9) through the u-bolts at each truss support. NOTE: Enough cable length is provided for the 90' models. On shorter models, the cable will be cut to an appropriate length later.
16. Wrap the upper end of each cable around the 1-1/16" diameter tube of the pivot plate weldment (Item 5), Figs. 1 & 2. The cable will go above the 3/4" flat washer and below the cross plate of the pivot weldment. Clamp the cable end with a 3/16" cable clamp. The u-bolt portion of the clamp should be against the loose (short) end of the cable.

17. Referring to Fig. 5, at a point approximately 18" past the lower truss support, make a loop in each cable and install a 3/16" cable clamp. This prevents too much slack cable from developing past the truss support when the cables are not being pulled to move the deflector panels.
18. Loop the other end of each cable (Items 9) through the last link in each chain (Items 12) referred to in Step 12. Before looping the other end of the cable (Item 9) through the last link in each chain (Item 12) referred to in Step 12, find the center link on the section of chain (Item 12) and position that link in the center slot of the cable latch bracket (Item 10). See Fig. 7. This will allow enough travel in both cables during operation. It is recommended to check the operational travel both ways before cutting the cable. See Fig. 10. Cut any excess cable off and install a 3/16" cable clamp. U-bolt portion of clamp should be against the loose (short) end of the cables (Items 9).
19. The cable tensions are adjusted by pulling with the pull handles (Items 11) and hooking the chain links (Items 12) into the slotted notches of the cable latch brackets (Items 10). See Fig. 8.

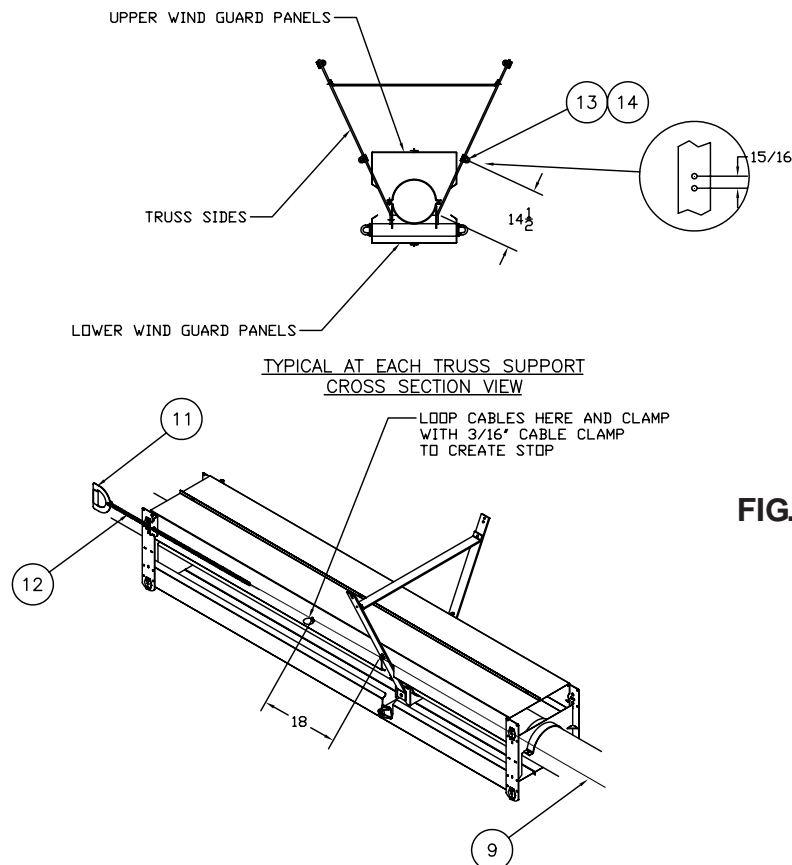


FIG. 5

INSTALLATION INSTRUCTIONS

DISCHARGE DIVERTER KIT FOR SQUEEZE BELT CONVEYORS

ASSEMBLY - CONT.

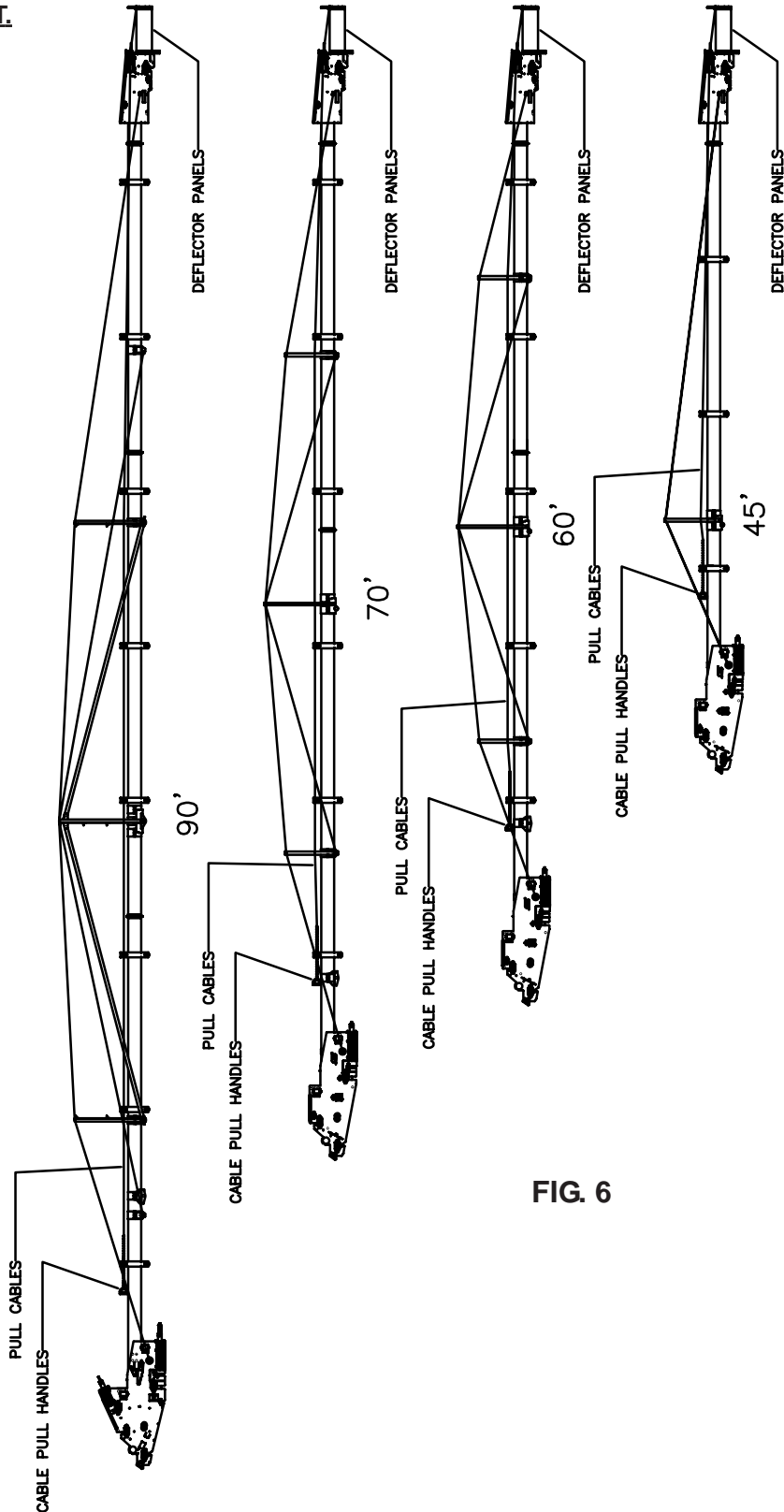


FIG. 6

INSTALLATION INSTRUCTIONS

DISCHARGE DIVERTER KIT FOR SQUEEZE BELT CONVEYORS

ASSEMBLY - CONT.

REF. NO.	PART NO.	DESCRIPTION	QTY.
1	1034895	Top Cable Anchor Angle	1
2	1034882	Mount Angle	2
3	1034881	UHMW Side Panel	2
4	1034887	Pivot Rod Weldment	2
5	1034888	Pivot Plate Weldment	1
6	1007890	Pulley Clevis Plate	4
7	1008195	Cable Pulley	2
8	1012347	Pulley Bushing	2
9	1011984	Cable 3/16" x 100'	2
10	1034891	Cable Latch Bracket	2
11	1034892	Cable Pull Handle	2
12	1026368	Link Chain 3/16" x 21 links	2
13	4841	U-Bolt 3/8" x 5/8" Spread	1 at each truss side support
14	D1149	3/8" Non-lock Nut	4 per u-bolt

INSTALLATION INSTRUCTIONS

DISCHARGE DIVERTER KIT FOR SQUEEZE BELT CONVEYORS

ASSEMBLY - CONT.



FIG. 7



FIG. 8



FIG. 9



FIG. 10