

**INSTALLATION OF UNDERCARRIAGE RESTRAINT
FOR 6" & 8" CENTURY**

1. Fasten lower end of restraint cable in the appropriate manner, as described below and as shown in Figure 1.

- a. 6" x 21', 27', 33' 8" x 21', 27', 33'
Secure cable to ring on bottom undercarriage stop using overhand knot and two cable clamps.
- b. 6" x 41', 47' 8" x 41', 47'
Secure cable to "horseshoe" on lower end of track using overhand knot and two cable clamps. Run restraint cable through ring on band on bottom undercarriage stop.
- c. 8" x 53', 57', 62' 8" x 53', 57', 62'
Secure cable to "horseshoe" on lower end of track using overhand knot and two cable clamps.
- d. 8" x 71'
Secure cable to cross shaft at "peak" of track using overhand knot and two cable clamps.

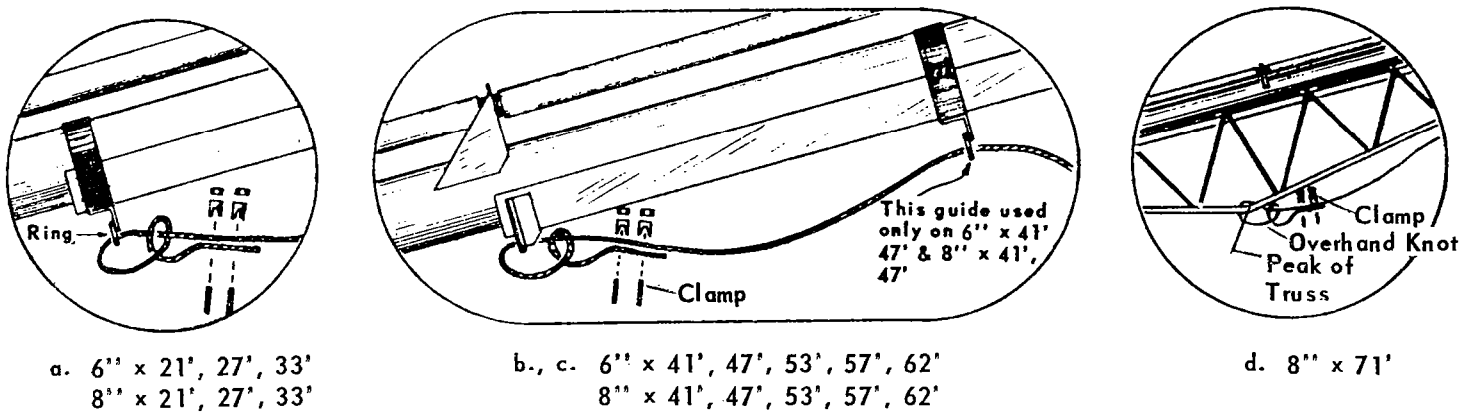


FIG. 1

2. Run restraint cable through lift arm of undercarriage between roller and the first cross brace. See Figure 2.

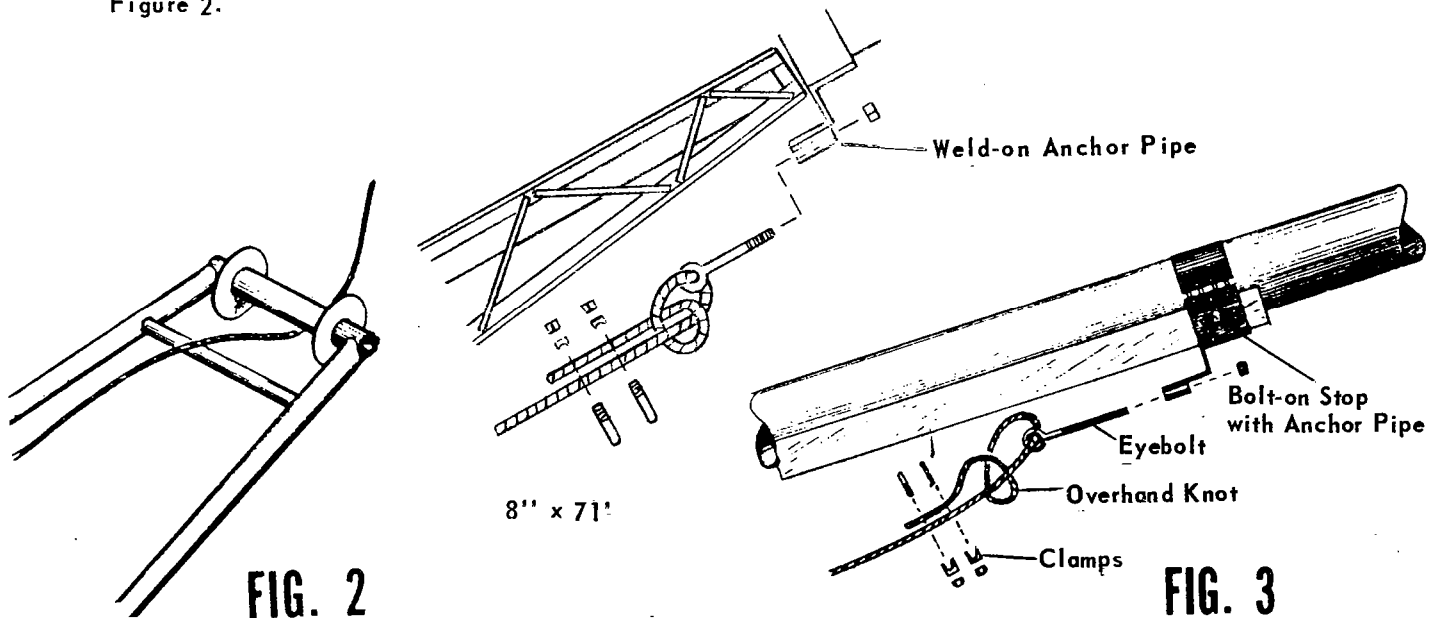


FIG. 2

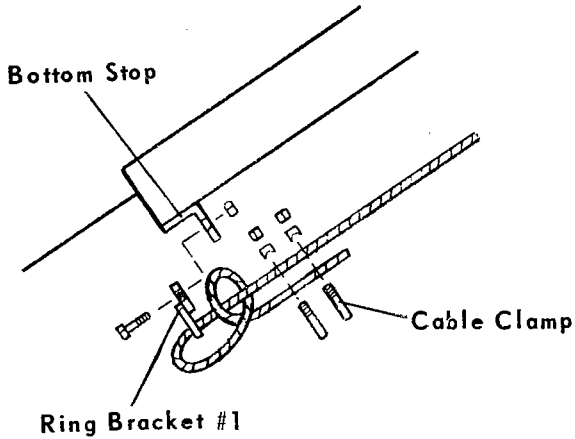
FIG. 3

3. Install eyebolt in anchor pipe on top undercarriage stop. Fasten cable to eyebolt using overhand knot and two cable clamps. Use eyebolt to tighten cable restraint. See Figure 3.

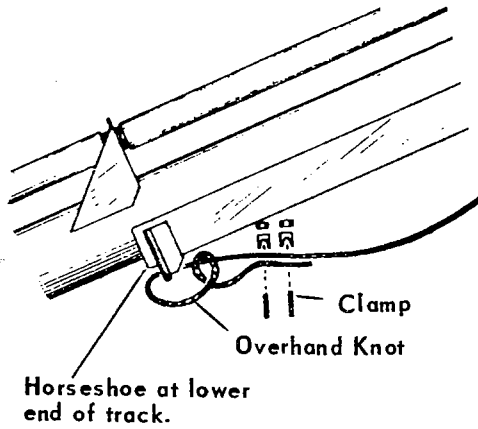
NOTE: On 8" x 71' augers an anchor pipe needs to be welded to the top of the truss so the eyebolt can be installed.

INSTALLATION OF UNDERCARRIAGE RESTRAINT KIT FOR 10'' & 12'' AUGERS

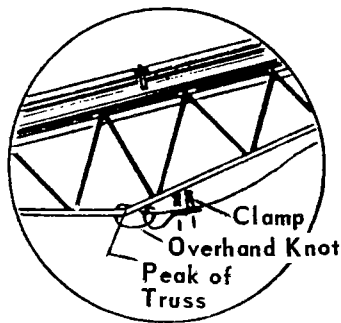
1. Fasten lower end of restraint cable in the appropriate manner, as described below.
 - A. For 10'' x 31', first attach ring bracket #1 to bottom stop. It will be necessary for you to drill holes in the bottom stop. Secure cable to ring on bottom undercarriage stop using overhand knot and two cable clamps.
 - B. For 10'' x 41', 51', 56', 61' and 12'' x 31', 41', 51', 61' secure cable to "horseshoe" on lower end of track using overhand knot and two cable clamps.
 - C. For 10'' x 71' secure cable to cross shaft at "peak" of track using overhand knot and two cable clamps.



A
10'' x 31'



B
10'' x 41', 51', 56' & 61'
12'' x 31', 41', 51' & 61'



C
10'' x 71'

2. Run restraint cable through lift arm of undercarriage, between roller and the first cross brace. See Figure 2.

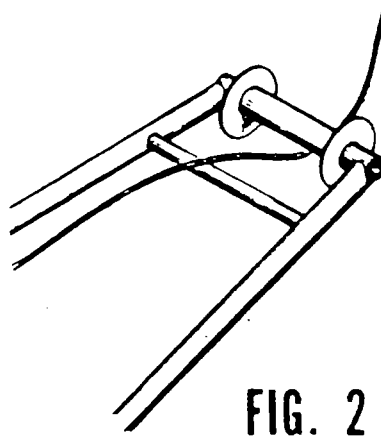
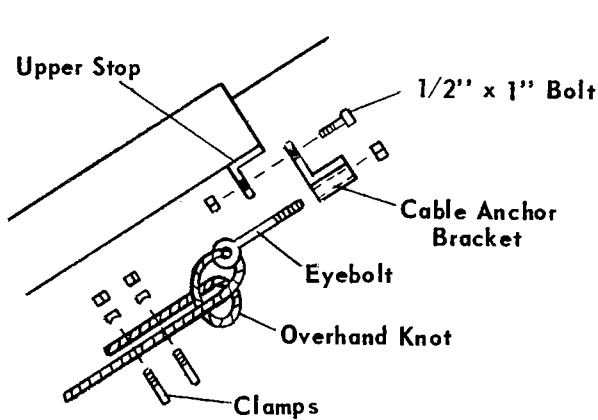
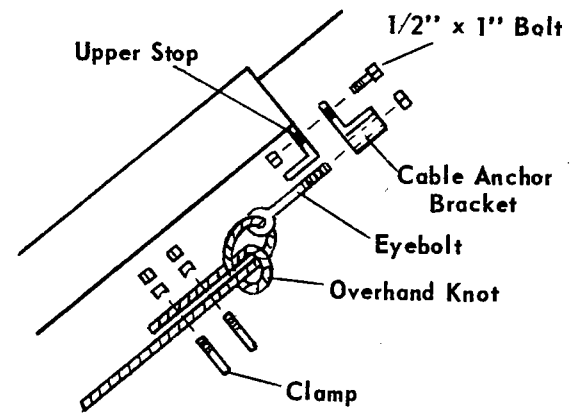


FIG. 2

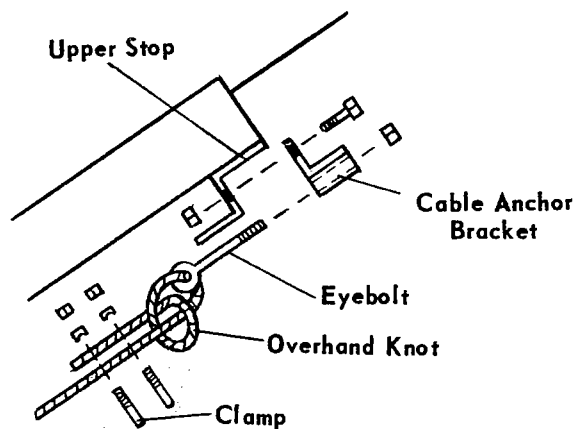
3. Fasten upper end of restraint cable in the appropriate manner
 - A. On all units attach cable anchor bracket to upper undercarriage stop. (Holes will need to be drilled in upper stop). Fasten cable to eyebolt using overhand knot and two cable clamps. Use eyebolt to tighten cable restraint.



EARLIER 10'' Model



EARLIER 12'' Model



LATER 10'' & 12'' Models

