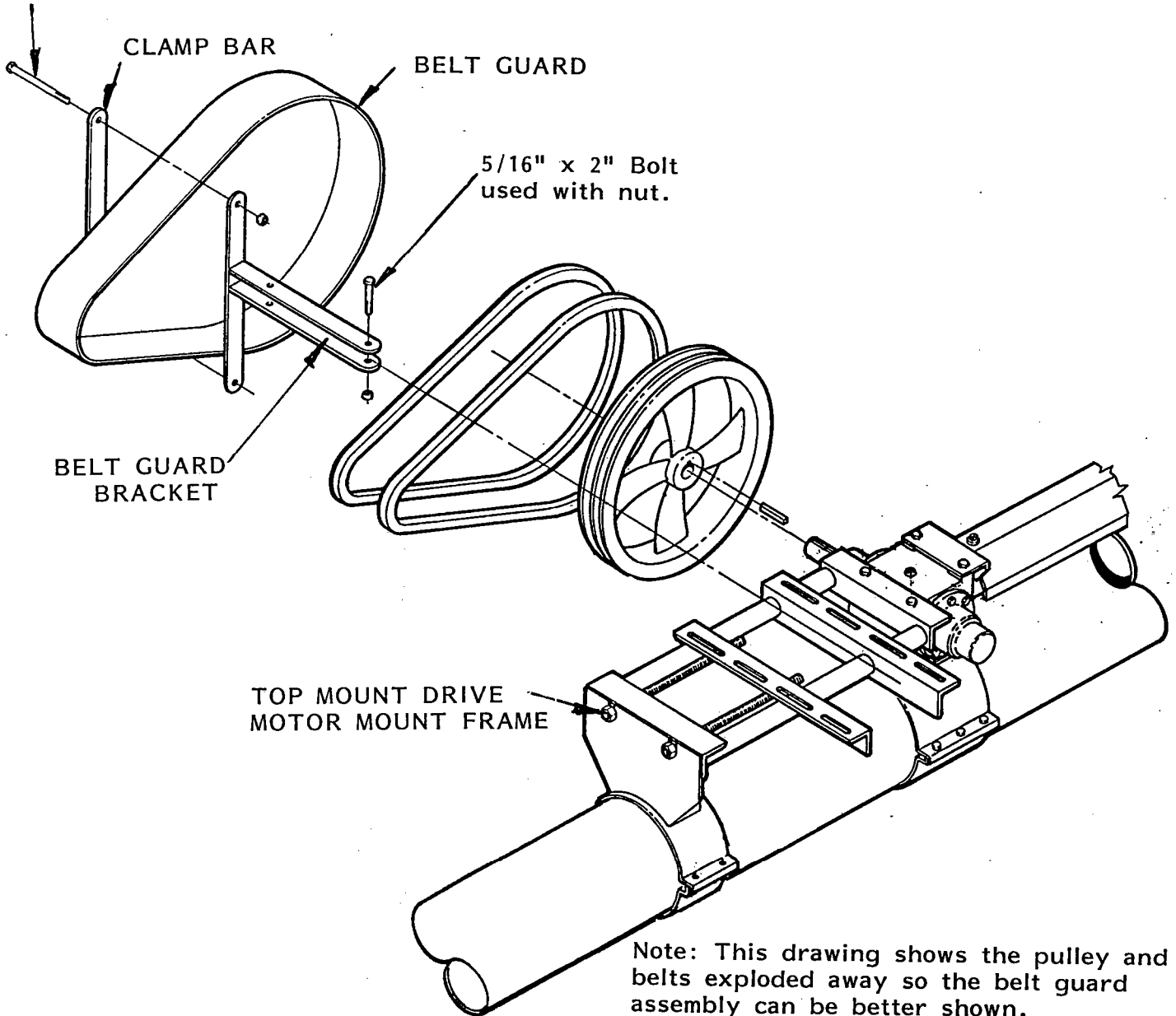


BELT GUARD KIT FOR TOP MOUNTED ELECTRICAL DRIVE ON 6" AUGER KIT #ASE-150801

1/4" x 5" long bolt
used with nut.



Keep all safety shields and devices in place.

If there are problems assembling the components provided in this kit, please contact us for assistance.