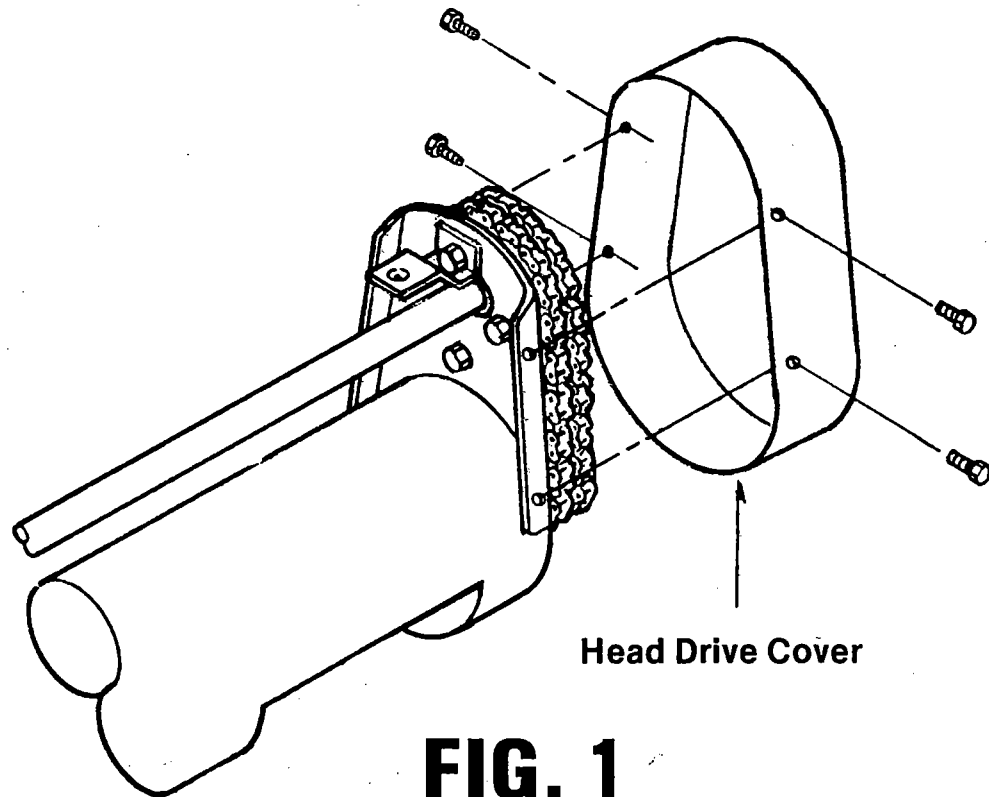


HEAD COVER FOR 8" AUGER ASE -150809

Attach head drive cover using 1/4" x 1/2" bolts, lock washers and nuts. See Figure 1.



CAUTION Keep all safety shields and devices in place.