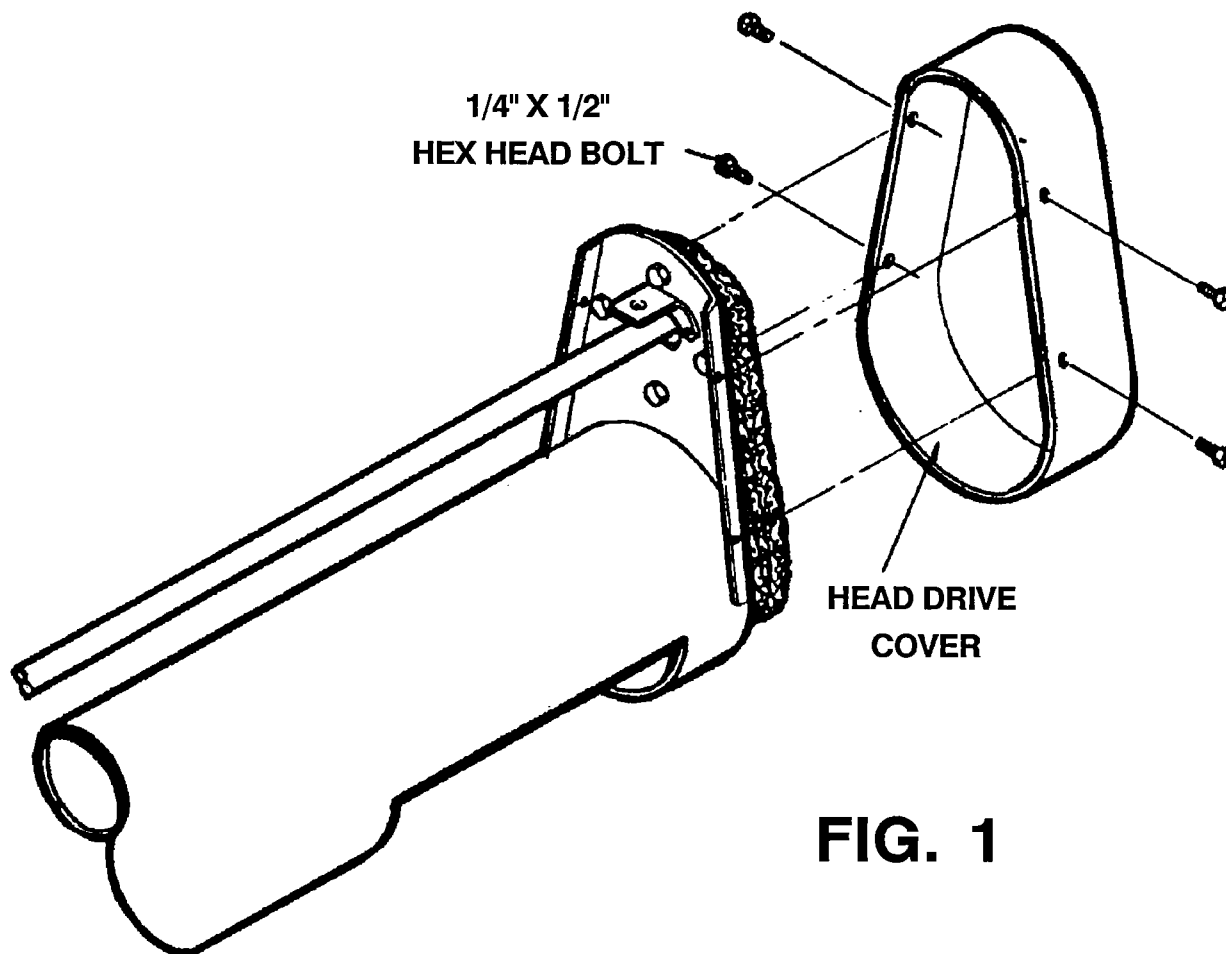


## HEAD COVER FOR 10" AUGER ASE-150810

Attach head drive cover using 1/4" x 1/2" bolts, lockwashers and nuts.  
See Figure 1.



**FIG. 1**



**CAUTION:** Keep all safety shields and devices in place.