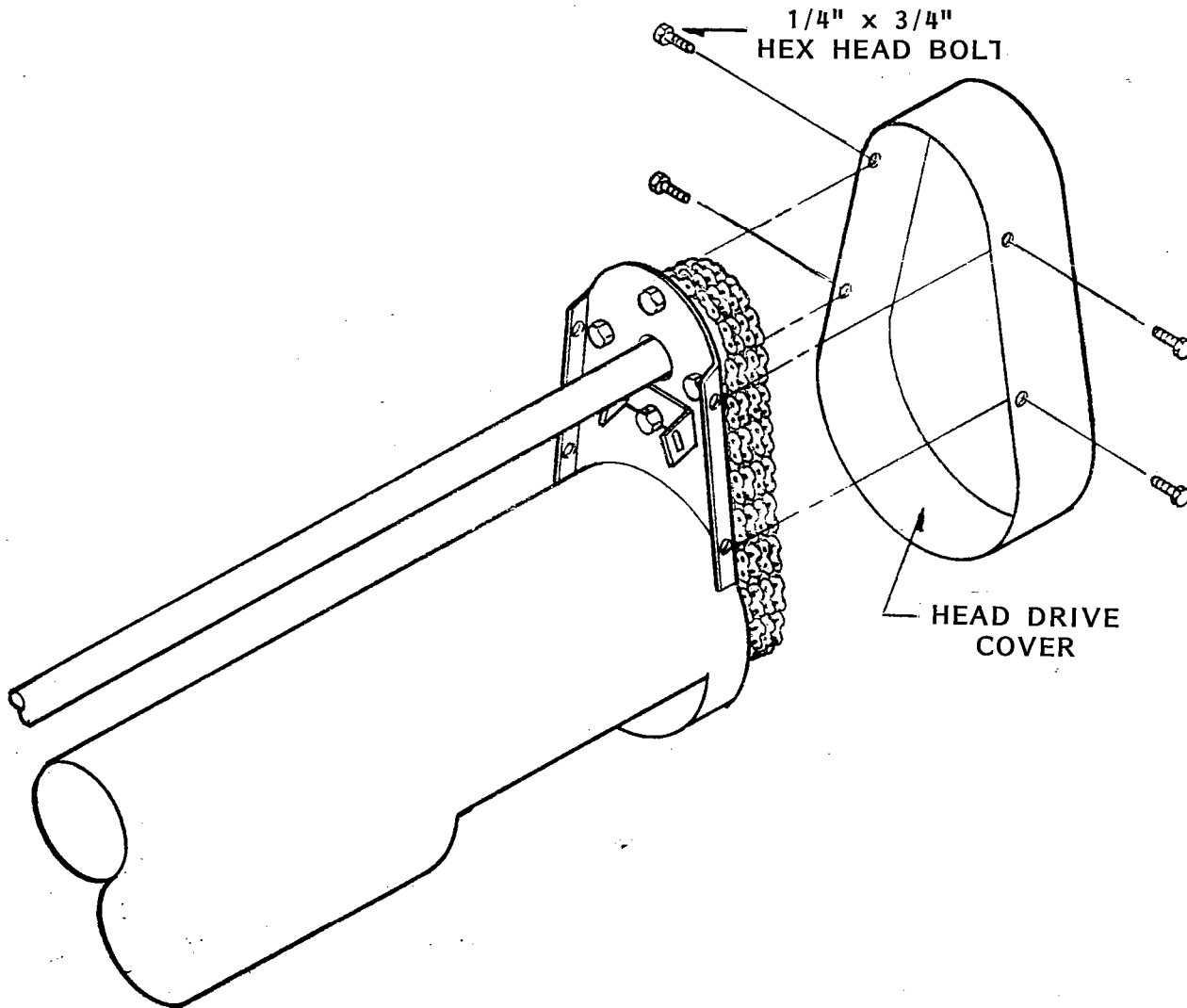


HEAD COVER FOR 12" AUGER ASE-150811

Attach head drive cover using 1/4" x 3/4" bolts, lockwashers and nuts.
See Figure 1.



CAUTION: Keep all safety shields and devices in place.

If there are problems assembling the components provided in this kit, please contact us for assistance.