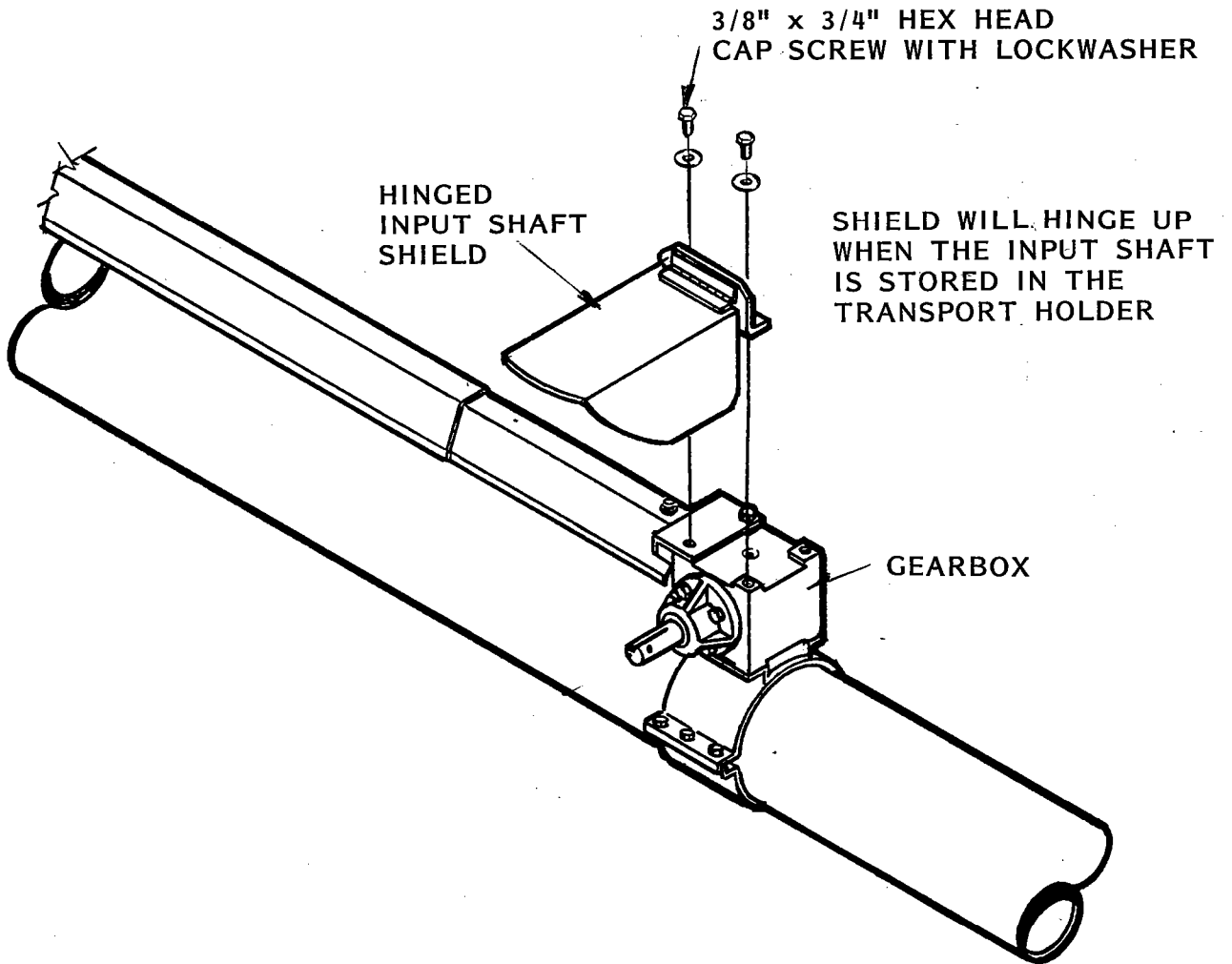


INPUT SHAFT TO GEARBOX SHIELD KIT #ASE-150829



Keep all safety shields and devices in place.

If there are problems assembling the components provided in this kit, please contact us for assistance.