

TRAC-MASTER SWIVEL SPOUT ASSEMBLY

PUBLICATION NO.
1001084

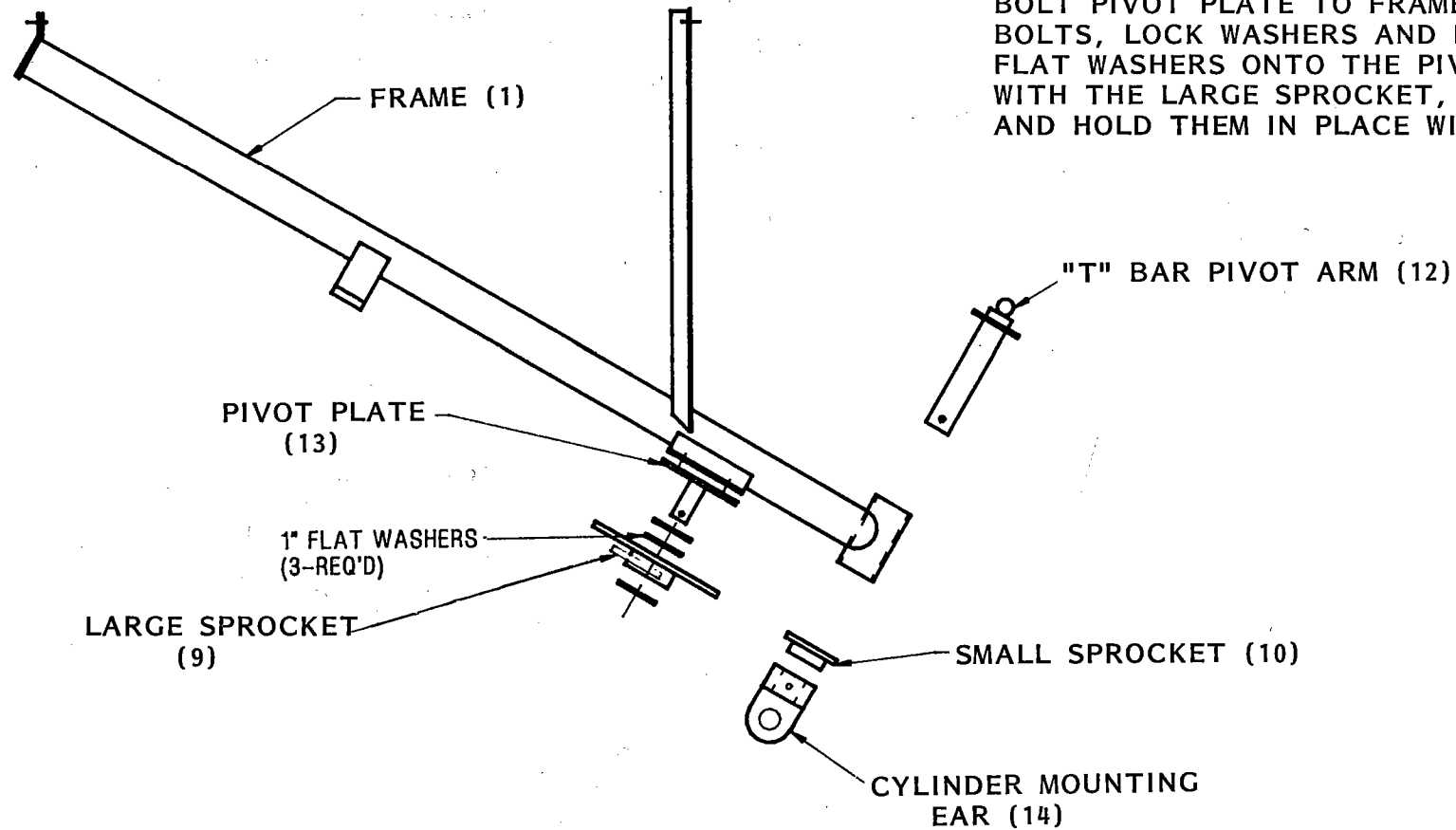
STEP 1. INSERT T-BAR INTO FRAME AND ATTACH SMALL SPROCKET TO T-BAR WITH 1/4" KEY. SLIP CYLINDER MOUNTING EAR ONTO SHAFT AND FASTEN WITH 5/16" BOLT AND LOCK NUT.

BOLT PIVOT PLATE TO FRAME WITH FOUR CARRIAGE BOLTS, LOCK WASHERS AND NUTS. SLIP TWO 1" FLAT WASHERS ONTO THE PIVOT PLATE PIN, ALONG WITH THE LARGE SPROCKET, ANOTHER 1" FLAT WASHER AND HOLD THEM IN PLACE WITH A COTTER PIN.

STEP 2 THROUGH 6 ARE ON THE BACK SIDE

PARTS LIST

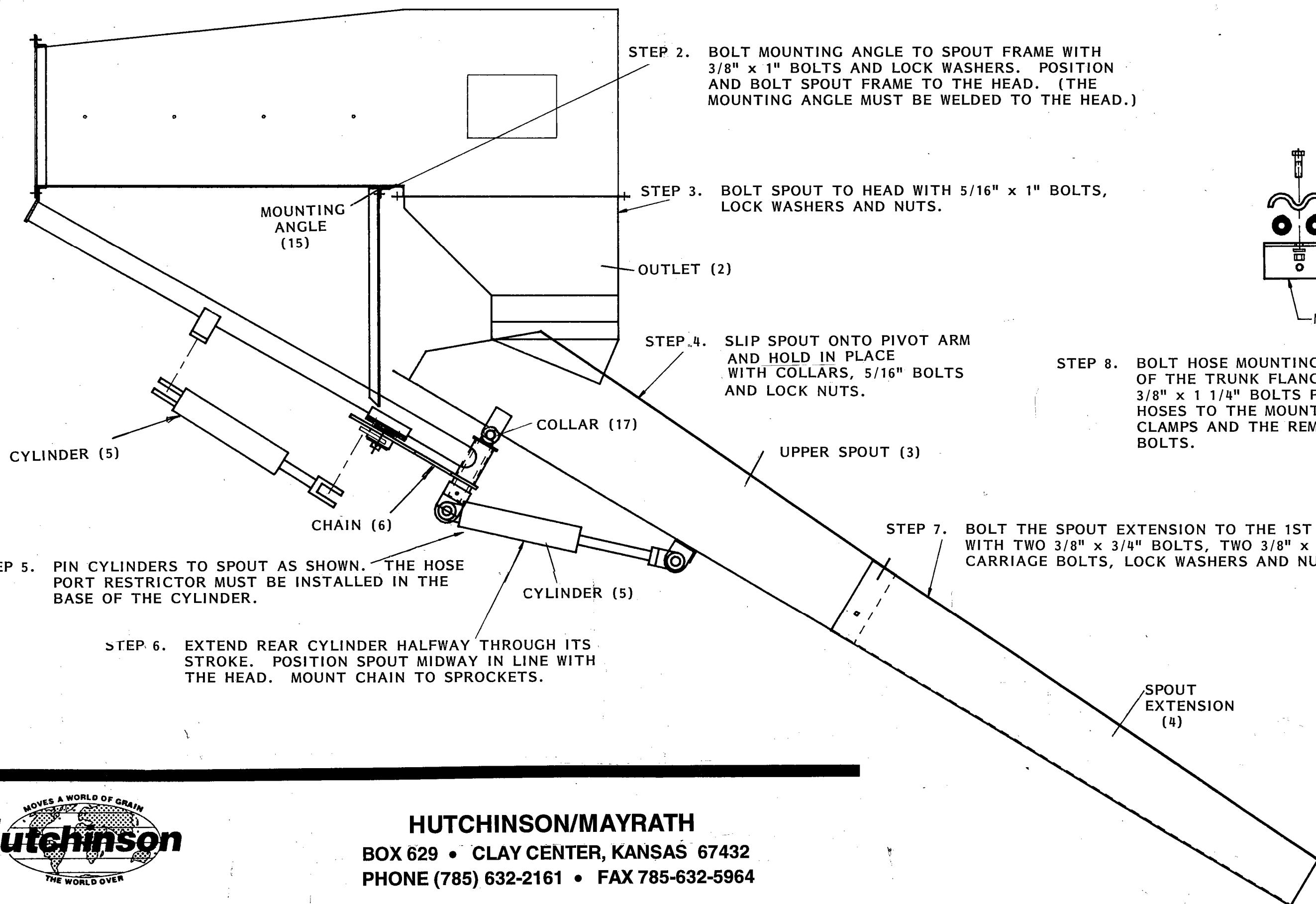
REF. NO.	PART NO.	DESCRIPTION
1	130302	Frame Weldment
2	130303	Outlet Weldment
3	631321	Upper Spout
4	553548	Spout Extension
5	420152	2 1/2" Bore 8" Stroke Cylinder
6	553375	Hose Clamp
7	553374	Hose Mounting Angle (3 1/2" long)
8	420153	Hyd. Restrictor
9	631325	Large Sprocket (40 tooth)
10	8820D	Small Sprocket (22 tooth)
11	553552	#50 Chain 67 Pitch w/Conn. Link
12	631322	"T" Bar Pivot Arm
13	631324	Pivot Plate
14	631323	Cylinder Mounting Ear
15	553545	Mounting Angle (13" long)
16	420132	Hyd. Hose 3/8" x 50'-0" long (f/40' models)
16	420150	Hyd. Hose 3/8" x 60'-0" long (f/50' models)
17	553547	Collar for "T" Bar



01858A1



HUTCHINSON/MAYRATH
 BOX 629 • CLAY CENTER, KANSAS 67432
 PHONE (785) 632-2161 • FAX 785-632-5964

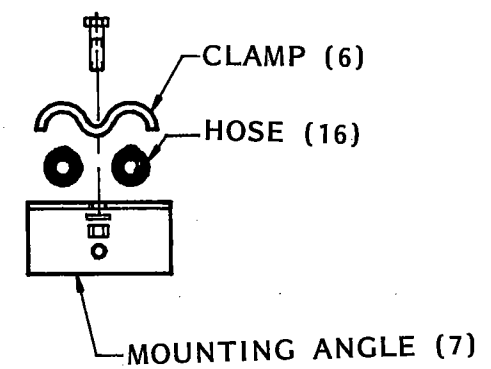


STEP 2. BOLT MOUNTING ANGLE TO SPOUT FRAME WITH 3/8" x 1" BOLTS AND LOCK WASHERS. POSITION AND BOLT SPOUT FRAME TO THE HEAD. (THE MOUNTING ANGLE MUST BE WELDED TO THE HEAD.)

STEP 3. BOLT SPOUT TO HEAD WITH 5/16" x 1" BOLTS, LOCK WASHERS AND NUTS.

STEP 4. SLIP SPOUT ONTO PIVOT ARM AND HOLD IN PLACE WITH COLLARS, 5/16" BOLTS AND LOCK NUTS.

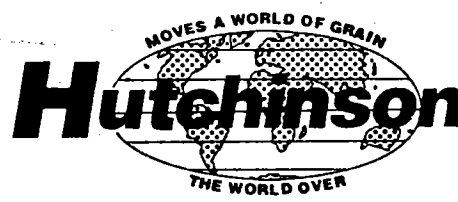
STEP 8. BOLT HOSE MOUNTING ANGLE TO THE TOP OF THE TRUNK FLANGES WITH THE LONGER 3/8" x 1 1/4" BOLTS PROVIDED. CLAMP THE HOSES TO THE MOUNTING ANGLES WITH THE CLAMPS AND THE REMAINING 3/8" x 1 1/4" BOLTS.



STEP 5. PIN CYLINDERS TO SPOUT AS SHOWN. THE HOSE PORT RESTRICTOR MUST BE INSTALLED IN THE BASE OF THE CYLINDER.

STEP 6. EXTEND REAR CYLINDER HALFWAY THROUGH ITS STROKE. POSITION SPOUT MIDWAY IN LINE WITH THE HEAD. MOUNT CHAIN TO SPROCKETS.

STEP 7. BOLT THE SPOUT EXTENSION TO THE 1ST SPOUT WITH TWO 3/8" x 3/4" BOLTS, TWO 3/8" x 3/4" CARRIAGE BOLTS, LOCK WASHERS AND NUTS.



HUTCHINSON/MAYRATH
 BOX 629 • CLAY CENTER, KANSAS 67432
 PHONE (785) 632-2161 • FAX 785-632-5964