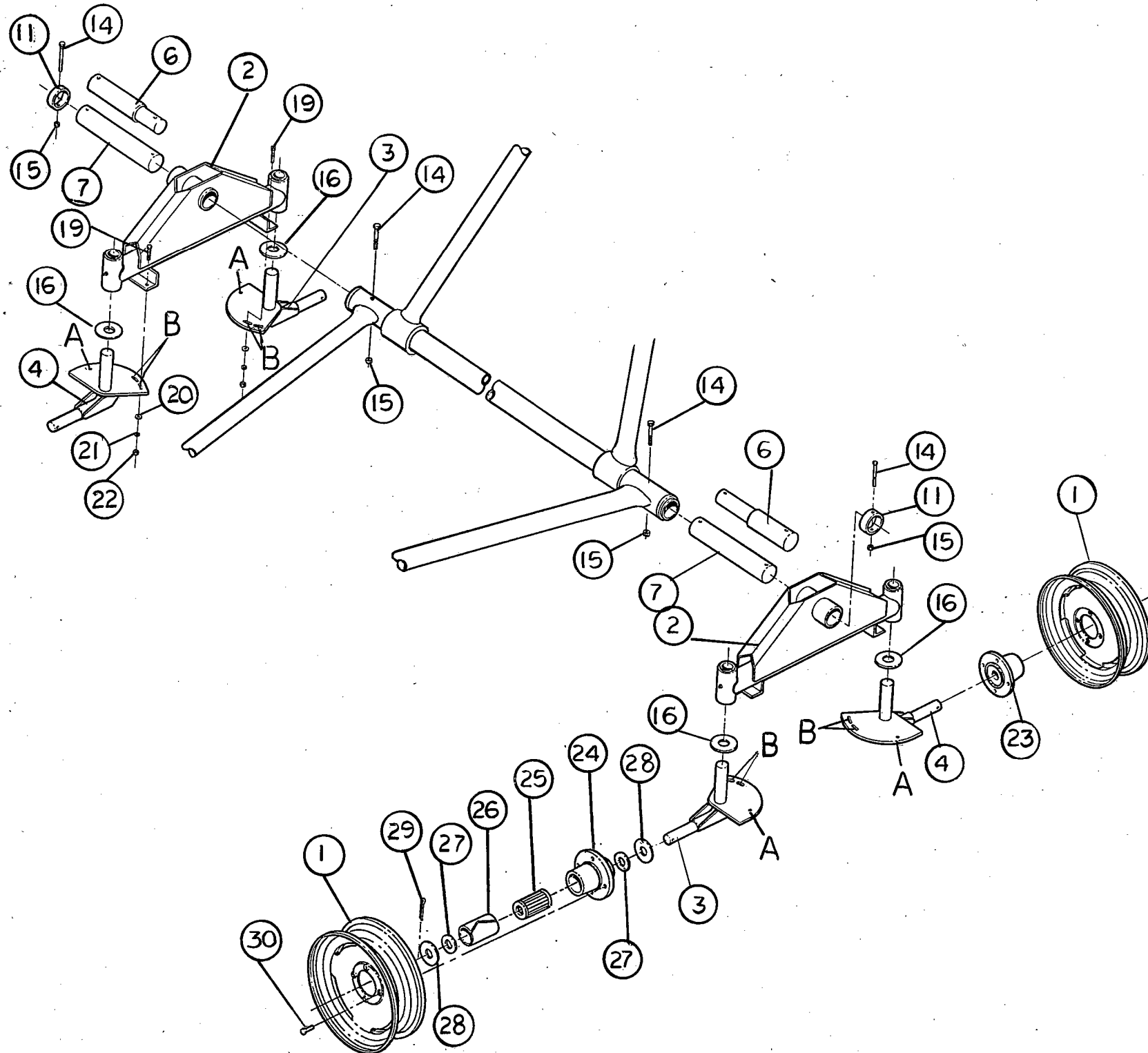


## SWIVEL ARC KIT FOR 8" x 71' CENTURY AUGER AND 8" x 71' AMERICAN AUGER



### IMPORTANT NOTE

1. When transporting auger, be sure that the 1/2" x 1 1/2" bolts holding the swivel pivots are tight. Use hole marked A for transport position.
2. For swinging auger in an arc, use bolts in slots marked B. Use adjustment in slots (marked B) to align wheels to prevent skidding when moving auger in an arc.

REF. NO.	PART NO.	QTY.	DESCRIPTION
1	6393D	4	15" x 4.5 KB 4-bolt Wheel
2	6692A1	2	Swivel Support Base
3	6693A1	2	Swivel Spindle with positioning plate - right
4	6694A1	2	Swivel Spindle with positionins plate - left
6	1001811	2	Undercarriage Stub 2 7/16" x 11 1/2" (turn down to 2") (for 8" x 71' American)
7	1001812	2	Undercarriage Stub 2 7/16" x 11 1/2" (for 8" x 71' Century)
11	50495A1	2	2 7/16" x 3 1/16" x 1" Collar
14	33094	2	Bolt, 1/2" x 4" lg. Hex Head
15	33138	2	Lock Nut, 1/2"
16	3047A1	4	Flat Washer, 1 5/8" I.D. x 3 1/2" O.D.
19	33194	4	Bolt, 1/2" x 1 1/2" lg. Hex Head
20	33025	4	Flat Washer, 1/2"
21	D1143	4	Lock Washer, 1/2"
22	33183	4	Nut, 1/2" (non-lock)
23	40612	--	Hub Assembly
24	6392C	4	4-Bolt Hub
25	6390C	4	Wheel Bearings
26	6391C	4	Wheel Bearing Sleeve
27	6393C	4	1 1/4" Washer
28	5447A1	4	1 1/4" x 3" Washer
29	D1263	4	Cotter Pin 1/4" x 2
30	6395C		Lug Bolt