

HYDRAULIC END WHEEL DRIVE FOR TRANSFER BELT CONVEYOR

OWNER'S & OPERATOR'S MANUAL

Effective June 1, 2016

Publication No. 1035593

MODEL NO.
10150HS

HUTCHINSON  MAYRATH 

Hutchinson | Mayrath • P.O. Box 629 • Clay Center, KS. USA 67432

P 785.632.2161 • F 785.632.5964 • TF 800.523.6993

hutchinson-mayrath.com

aggrowth.com | **AGI **

HUTCHINSON | MAYRATH

POLICIES and PROCEDURES

Prices: Prices in effect at time of shipment will apply. Prices are subject to change without notice. All prices are F.O.B. Clay Center, Kansas. Orders shipped from locations other than Clay Center, Kansas will be subject to additional charges, such as back freight and/or additional freight.

Service Charge: A service charge will be assessed for all past due balances as permitted by state law not to exceed 1-1/2% per month.

Minimum Order: Processing and handling costs necessitate a minimum charge of \$15.00 net on all orders.

Back Orders: Back orders will be shipped as they become available. Contact Hutchinson, Mayrath Customer Service for alternative shipping options or if cancellation is desired.

Damaged Goods: It is the consignee's responsibility to check all shipments thoroughly upon receipt of goods. If any damage is discovered, it must be noted on the freight bill of lading before signing. The consignee must make necessary claims against the respective freight line. All damage claims must be submitted within 30 days of delivery receipt.

Shortages: All shortages must be noted at time of delivery. Shortages must be noted on the freight bill of lading before signing. Hutchinson, Mayrath must be advised of all concealed shortages upon discovery. Once notified of concealed shortages Hutchinson, Mayrath will advise corrective action to be taken.

Return of Goods: All returns must be approved by Hutchinson, Mayrath prior to shipment. All return requests will be issued a return authorization number. NO RETURNS WILL BE ACCEPTED WITHOUT A RETURN AUTHORIZATION NUMBER AND PRIOR AUTHORIZATION FROM THE FACTORY. All returns must be shipped prepaid. A 15% restocking charge will be applied to all returned merchandise. Custom Products may not be returned for credit. Only current products in new and salable condition may be returned. No safety devices may be returned for credit.

Modifications: It is the policy of Hutchinson, Mayrath to improve its product whenever possible and practical to do so. We reserve the right to make changes, improvements and modifications at any time without incurring the obligation to make such changes, improvements and modifications on any equipment sold previously.

Limited Warranty: (a) For a period of (1) year after receipt of goods by the original consumer buyer, Hutchinson, Mayrath will supply free of charge replacement parts for parts that prove defective in workmanship or material. Defective parts must be returned freight prepaid to a specified Hutchinson, Mayrath location. Only Hutchinson, Mayrath original repair parts may be used for warranty repairs.

(b) This limited warranty does not extend to parts designed to wear in normal operation and be replaced periodically; or to damage caused by negligence, accident, abuse or improper installation or operation.

(c) GOODS NOT MANUFACTURED BY HUTCHINSON, MAYRATH CARRY ONLY THE MANUFACTURER'S WARRANTY.

(d) THIS UNDERTAKING IS IN LIEU OF ALL OTHER WARRANTIES, EXPRESSED OR IMPLIED, INCLUDING MERCHANTABILITY AND FITNESS FOR A PARTICULAR PURPOSE.

FAILURE TO FOLLOW THE INSTRUCTIONS CONTAINED IN THE OWNER'S & OPERATOR'S MANUALS AND THE ITEMS LISTED BELOW WILL RESULT IN THE VOIDING OF THIS LIMITED WARRANTY.

(1) Improper assembly, including failure to properly install all safety equipment.

(2) Improper installation.

(3) Unauthorized alternations of goods.

(4) Goods operated when obviously in need of repair.

(5) Use of unauthorized repair parts.

(6) Irresponsible operation.

(7) Used to handle materials other than free flowing, nonabrasive and dry materials, as intended.

(8) Damaged through abusive use or accident.

Limitation of Liability: BUYER AGREES THAT IN NO EVENT SHALL HUTCHINSON, MAYRATH HAVE LIABILITY FOR DIRECT DAMAGES IN EXCESS OF THE CONTRACT PRICE OF THE GOODS IN RESPECT OF WHICH CLAIM IS MADE. BUYER FURTHER AGREES THAT IN NO EVENT SHALL HUTCHINSON, MAYRATH ON ANY CLAIM OF ANY KIND HAVE LIABILITY FOR LOSS OF USE, LOSS OF PROFITS, OR FOR ANY INDIRECT, INCIDENTAL OR CONSEQUENTIAL DAMAGES.

GENERAL SAFETY STATEMENT

This manual was written with the safety of the operator and others who work with the equipment as our prime concern. The instructions presented will help the reader learn SAFE day to day work practices. We want you as our partner in safety.

It is your responsibility as an owner, operator or supervisor to know what specific safety requirements and precautions exist and to make these known to all other personnel working with the equipment or in the area, so that they too may safely perform their duties and avoid any potentially hazardous situations.

Please remember safety equipment provides important protection for persons around a grain handling system that is in operation. Be sure ALL the safety shields and protection devices are installed and properly maintained. If any shields or guards are damaged or missing, contact your dealer to obtain the correct items.

Avoid any alterations of the equipment. Such alterations may create a dangerous situation where serious injury or death may occur.

SAFETY ALERT SYMBOL

The symbol shown below is used to call your attention to instructions concerning your personal safety. Watch this symbol - it points out important safety precautions. It means "ATTENTION! Become alert! Your personal safety is involved!" Read the message that follows and be alert to the possibility of personal injury or death.



WARNING

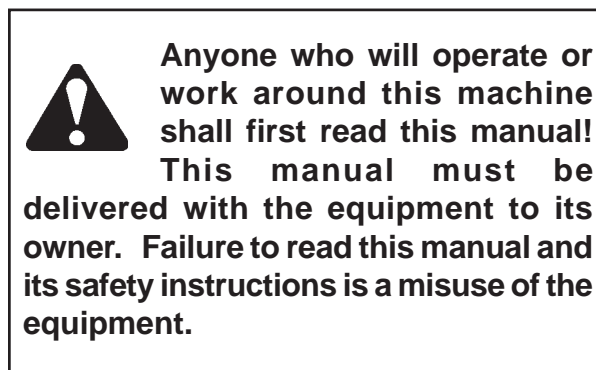


TABLE OF CONTENTS

General Safety Statements	1
Safety Symbol	1
Operator Qualifications	3
Sign-off Sheet	3
Machine Inspection	3
OPERATING PROCEDURES	4-5
ASSEMBLY INSTRUCTIONS	6-14
Drive Frame Assembly	6-10
Directional Valve Fittings and Hoses	10-11
Flow Control Plumbing	12
PHOTO REFERENCE	13
NOTICE TO DEALER / ASSEMBLER	14
PARTS LIST	P-1 thru P-2

RIGHT AND LEFT DESIGNATION

When determining which is the left or right hand side of the unit, it is as if a person were standing at the intake end and looking toward the discharge end.

OPERATOR QUALIFICATIONS

Operation of this Portable Conveyor shall be limited to competent and experienced persons. In addition, anyone who will operate or work around a Portable Conveyor must use good common sense. In order to be qualified, he must also know and meet all other requirements, such as:

1. Some regulations specify that no one under the age of 16 may operate power machinery. This includes Portable Conveyors. It is your responsibility to know what these regulations are in your area or situation.
2. Current OSHA regulations state in part: "At the time of initial assignment and at least annually thereafter, the employer shall instruct every employee in safe operation and servicing of all equipment with which the employee is, or will be involved."*
3. Unqualified persons are to stay out of the work area.
4. A person who has not read and understood all operating and safety instructions is not qualified to operate the machine.

***Federal Occupational Safety & Health Standards for Agriculture Subpart D, Section 1928.57 (a) (6).**

MACHINE INSPECTION

After delivery of your new conveyor and/or completion of assembly and before each use, inspection of the machine is mandatory. Use the assembly instructions in this manual as a reference to determine that the conveyor is assembly properly. This inspection should include, but not be limited to:

1. Check to see that all guards listed in the assembly instructions are in place, secured and functional.
2. Check all safety signs and replace any that are worn, missing or illegible. The safety signs are listed in the back of this manual. Safety signs may be obtained from your dealer or ordered from the factory.
3. Check undercarriage winch and cable for security and operation. There should be at least three complete wraps of cable around winch drum is full down position. Cable anchor on winch drum must be tight.
4. Are all fasteners tight?
5. Are drive belts properly adjusting? (See Maintenance Section.)
6. Is conveyor belt properly adjusted? (See Maintenance Section.)

Obtain any needed replacement parts from your dealer and install before using the machine.

SIGN OFF SHEET

As a requirement of OSHA, it is necessary for the employer to train the employee in the safe operation and safety procedures with this conveyor. We include this sign off sheet for your convenience and personal record keeping.

DATE	EMPLOYER SIGNATURE	EMPLOYEE SIGNATURE

Our conveyors are well made and we are proud of our line of equipment. We would like you, as our customer, to do your part in using caution and good judgement when using our equipment, as well as any other machinery.

It is important to be familiar with the following routine operating procedures before attempting start-up.

During the operation of your conveyor, one person shall be in a position to monitor the operation at all times.



During initial start-up and operation, the operator shall be aware of any unusual vibrations or noises that would indicate a need for service or repair.



Keep all safety shields and devices in place.



Keep hands, feet, and clothing away from moving parts.



The operator should have a full view of the auger work area and check that all personnel are clear from designated work areas before adding power.

Before adding power:

1. Check that all fasteners and hardware are tight.
2. Check the hydraulic connections, making sure they are properly connected and secured.
3. Make sure the hydraulic hoses are clamped to the auger tube and are held off the ground and kept away from moving parts.
4. Check your tractor manual or contact your dealer regarding what type of hydraulic hose coupler to use for attachment to the tractor (the hydraulic hoses in the kit are not furnished with this coupler).
5. The directional control valve operates independently of the tractor hydraulic control. The tractor control must be engaged before the hydraulic end wheel can be operated from the directional valve.



DO NOT connect or disconnect hydraulic components when there is pressure within the system. Hydraulic systems are highly pressurized.



If a leak is suspected, use a piece of cardboard or similar material to check for the leak. NEVER use your hands or fingers to search for a leak.



Escaping hydraulic oil under pressure can have sufficient force to penetrate the skin causing serious injury. If injured by escaping fluid, see a doctor at once, serious infection or reaction can develop if medical treatment is not administered immediately.



Hydraulic oil, while flowing through the system, becomes very hot during unit operation. To avoid serious burns, allow ample time for the hydraulic system to cool before attempting to perform any maintenance or repairs to the system or its components.



MAINTENANCE

Due to the small number of moving parts, very little maintenance is required on the hydraulic end wheel drive unit. However, the following items should be monitored:

1. **Hydraulic Components.** Check all hydraulic hoses, connectors and components. Make sure connections are tight and not leaking hydraulic oil. Check hoses for cuts or damage. Replace as necessary.
Some of the hydraulic fittings require Teflon tape or some type of thread sealer. When replacing or assembling these fittings, make sure not to get the tape or sealant below the threaded portion of the fitting. Bits of tape or sealant entering the system can block orifices and create potential problems within the hydraulic system.
2. **Tire Pressure.** Check tire pressure periodically. Maintain tire pressure at 24 psi to 28 psi (165 kPa - 193 kPa).
3. **Drive Chain.** The drive chain should periodically be sprayed with a chain lubricant. Remove the chain guard from the dual wheel assembly to gain access to the drive chain. Spray a liberal amount of lubricant on the entire length of chain.

For best results, the transfer belt conveyor and hydraulic end wheel drive should be operated on a level, well drained and relatively solid surface, with the area cleared of tall ground cover.

The following procedures are used after the hydraulic end wheel drive unit has already been assembled and installed onto the hopper.



Make certain the path of the hopper is clear. The operator should not be between the hopper and any non-moveable objects.

Before operation, make sure all fasteners and hardware are tight. Check hydraulic hose connections for tightness and make sure the hoses are secured properly to avoid being damaged.

1. Make certain the discharge end of the transfer belt conveyor is supported on the hitch ball located in the inlet hopper of the conveyor being fed. The transport wheels of the transfer belt conveyor should be raised, so that they clear the ground.
2. Make certain the area in the path of the hopper is clear. Make certain that the operating position along side the hopper, next to the control valve, remains clear. **The operator should never stand between the hopper and any non-moveable objects.**

3. Engage the tractor hydraulic control and lock it open.
4. With the ball valve at the flow control valve closed and the ball valve at the directional control valve open, slowly engage the directional control handle and see that the hopper is traveling in the desired direction. If not, move the handle in the opposite direction. **NOTE:** The control handle only needs to be moved slightly to provide operation. Although the restrictor in Port "A" of the control valve limits the speed of operation, moving the handle too far, or too fast, will cause the drive wheels to turn faster than desired or recommended. **If this occurs, a pressure relief valve will bypass oil, causing a loud squeal to be heard.** If this should happen, release the control handle and move the handle slightly as intended.

ASSEMBLY INSTRUCTIONS

ASSEMBLY PROCEDURES



Some items in this kit are heavy. To avoid personal injury, use assistance when lifting and assembling these parts.



Use the proper personal safety gear such as eye, ear and hand protection when working with power tools and metal materials.

Before beginning assembly, it is suggested to read through these instructions and lay out all items from the kit to ensure all parts are accounted for. This not only helps you become familiar with the parts and assembly procedures, but also makes you aware of what tools, equipment or materials you may need to complete the installation process.

DRIVE FRAME ASSEMBLY

1. Attach the front and rear channels together, as shown in Fig. 1. Secure using two 1/2" x 1" carriage bolts, lock washers and non-lock nuts, the bolts need to be installed from the inside, out.

The front channel mounting holes are slotted to allow movement to tighten the chain when it is installed. You only need to snug up the hardware at this time.

2. Attach a bearing with flanges to the bearing mount plate on front of the rear channel. Secure the flanged bearing using three 5/16" x 3/4" carriage bolts, lock washers and non-lock nuts (the carriage bolt heads will be on the inside of the channel, do not tighten).

3. Insert the drive shaft w/coupler through the motor mount plate and into the channel. Install a sprocket onto the shaft and continue pushing the shaft through the bearing previously installed (the hub on the sprocket will face towards the bearing).

4. The drive shaft has a hole near the coupler end, align this hole with the hole in the hub on the sprocket and install a 5/16" x 1 3/4" roll pin.

5. Insert the woodruff key into the slot on the motor shaft. Position the port holes on the hydraulic motor, so they are facing up. Slide the motor shaft into the coupler on the end of the drive shaft.

Secure the motor to the mount plate using four 3/8" x 3/4" bolts and lock washers.

Tighten the hardware on the flanged bearing and install the lock collar.

6. Attach the wheel hub of the tire assembly to the middle hole of the drive shaft and secure using one 3/8" x 2" bolt and nylon lock nut.

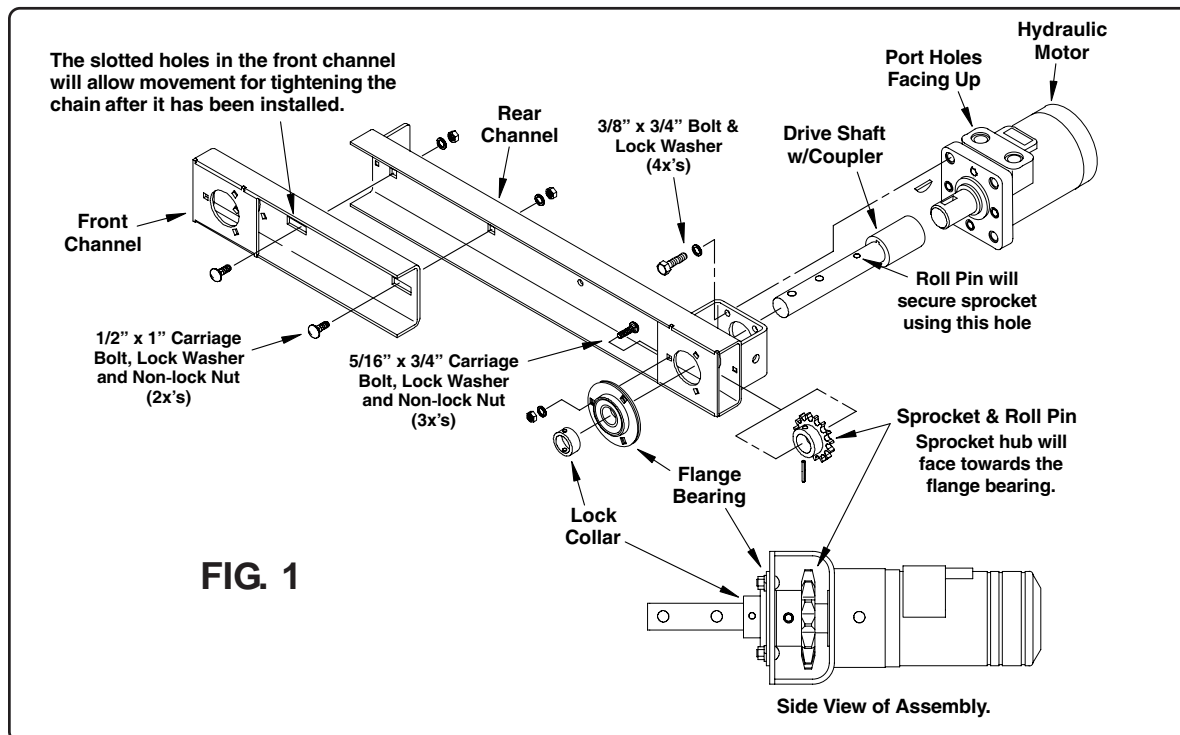
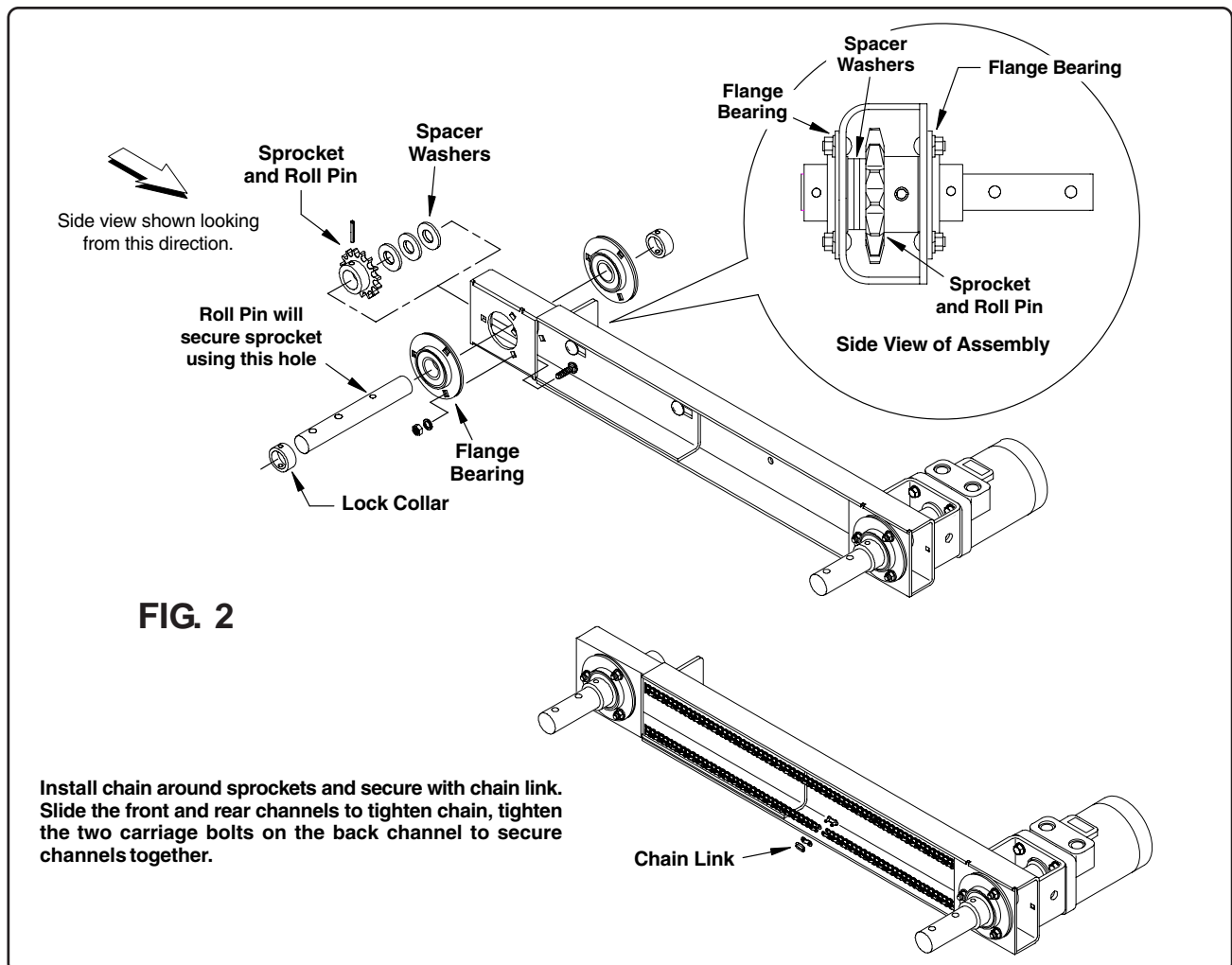


FIG. 1

DRIVE FRAME ASSEMBLY - CONT.

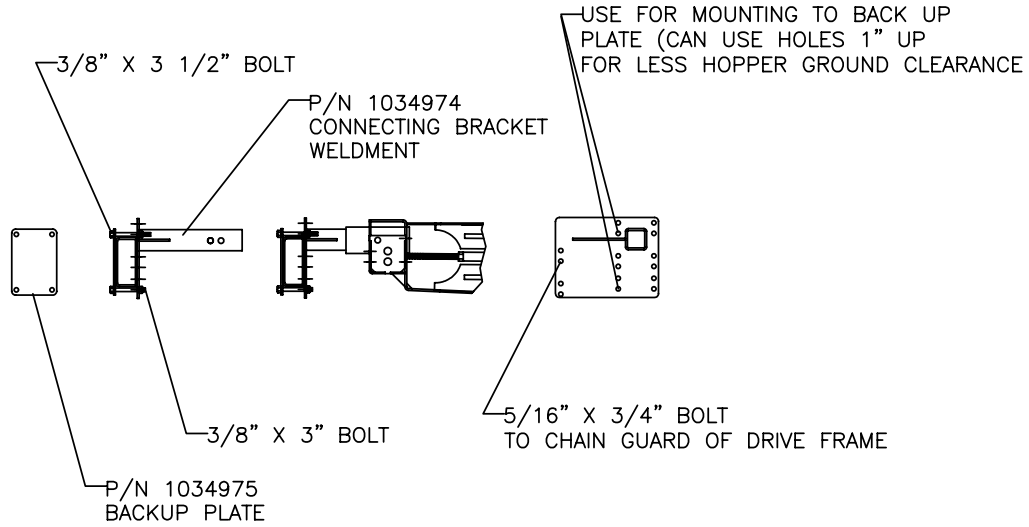
7. Assemble the opposite end of the drive frame by attaching two flanged bearings to the front and rear side of the channel, as shown in Fig. 2. Secure each flanged bearing using three 5/16" x 3/4" carriage bolts, lock washers and non-lock nuts. Do not tighten completely at this time.
8. Insert the drive shaft through one of the bearings (the hole closest to the end on the shaft will be toward the wheel hub side).
As the shaft passes through the first bearing and into the channel, install three spacer washers and the sprocket (the spacers will be positioned at the rear of the drive shaft (See Fig. 2). Continue inserting the shaft through the second bearing.
9. Align the smaller hole on the drive shaft with the hole on the sprocket hub. Secure the sprocket using one 5/16" x 1 3/4" roll pin (See Fig. 3). Tighten the hardware securing the flanged bearings.
10. Install and secure the lock collars.
11. Position the wheel hub of the other tire assembly to the middle hole of the drive shaft. Align the holes in the hub with the mounting holes in the shaft and secure using one 3/8" x 2" bolt and nylon lock nut.
12. Install the chain around the sprockets and secure with the chain link. Tighten the chain by sliding the front channel until chain is tight, then tighten the two carriage bolts holding the front and rear channels together.
13. Locate the chain guard and chain guard spacer from the kit. Insert a 3/8" x 3" bolt through the hole in the rear channel and slide the chain guard spacer and one 3/8" flat washer onto the bolt. Position the chain guard with the slotted hole over the bolt and secure using one 3/8" flat washer, lock washer and non-lock nut. Do not tighten at this time.



ASSEMBLY INSTRUCTIONS

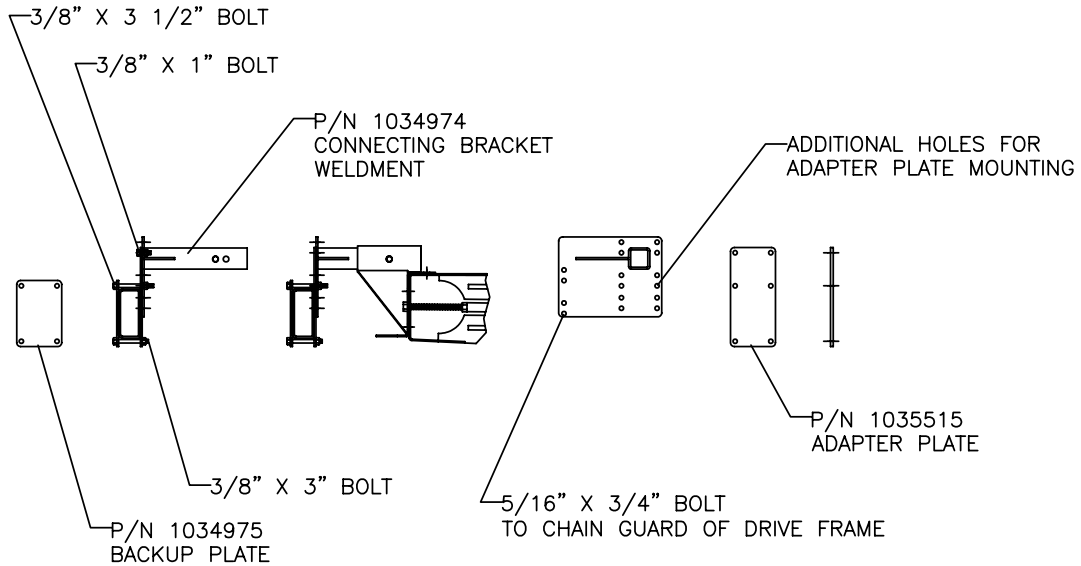
DRIVE FRAME TO INLET HOPPER

(See Page 10 for instructions)



MOUNTED TO NEW STYLE INLET 1032277

(SERIAL NO. 922270 OR GREATER)

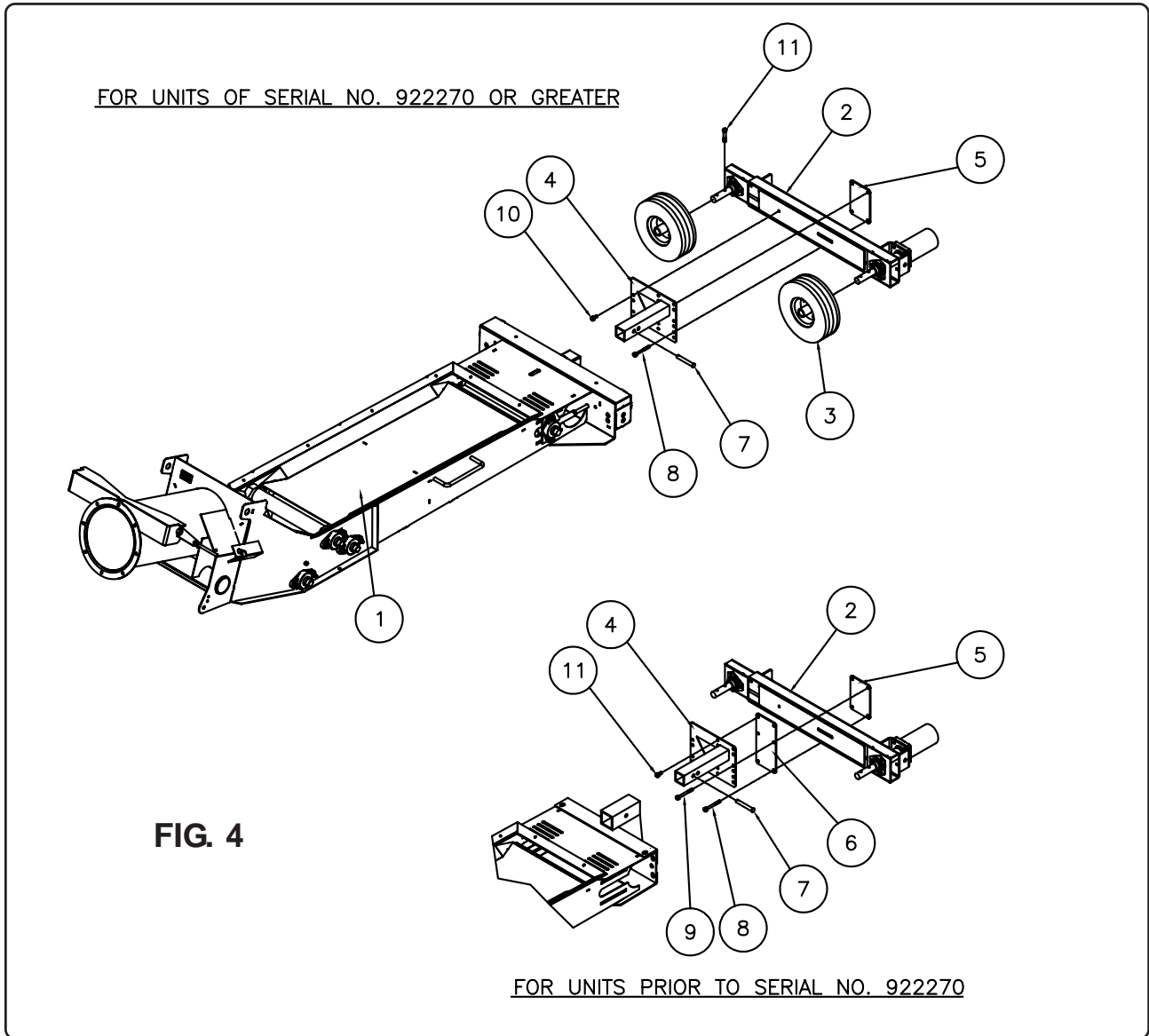


ADAPTER TO OLD STYLE INLET 1029007

(PRIOR TO SERIAL NO. 922270)

FIG. 3

DRIVE FRAME TO INLET HOPPER - CONT.



REF. PART

NO	NO.	DESCRIPTION
1	Ref.	Inlet Hopper Assembly
2	Ref.	Drive Frame Assembly
3	1034837	Tire, Wheel & Hub Assembly
4	1034974	Connecting Bracket Weldment
5	1034975	Back-up Mounting Plate
6	1035515	Adapter Plate
		(only used on conveyors prior to Serial Number 922270)
7	Ref.	Hitch Pin (use pin provided with the conveyor)
8	33068	Bolt 3/8" x 3" long
9	4827	Bolt 3/8" x 3-1/2" long
10	4701-1	Bolt 5/16" x 3/4" long
11	33060	Bolt 3/8" x 1" long

**DRIVE FRAME TO
INLET HOPPER - CONT.**

Refer to Fig. 3 and Fig. 4.

1. Insert the square tube of the connecting bracket weldment (Item 4) into the hitch receiver tube on the inlet hopper and secure in place with the hitch pin and keeper pin.
2. Clamp the drive frame (Item 2), that was assembled earlier, to the connecting bracket weldment (Item 4) using the back-up plate (Item 5). Use two 3/8" x 3-1/2" long bolts at the top and two 3/8" x 3" bolts at the bottom.

NOTE: Prior to Serial Number 922270 the receiver tube is mounted on the top side of the hopper end and requires an adapter plate (Item 6) to utilize the end wheel drive. The adapter plate also requires two 3/8" bolts to install.

NOTE: The drive frame can be mounted at two different levels, 1" apart, to give greater or lesser hopper to ground clearance.

**DIRECTIONAL CONTROL VALVE,
FITTING AND HYDRAULIC HOSES**

1. Locate the directional control valve mount band from the kit.
2. Measure up 2' 3-3/4" (0.7m) from the center of the tube flange and mark the location for the bottom edge of the valve mount band. (See Fig. 5). Attach band to tube with four 5/16" x 1-1/2" bolts, lockwashers and non-locking nuts.
3. Refer to the plumbing layout drawing (Fig. 6). Attach the Directional Control Valve (Item 11) to the valve clamp band using three 5/16 x 1-3/4" bolts, lock washers and non-lock nuts.
4. Apply Teflon tape or equivalent to the threads on a 90° elbow (Item 6). Install the elbow into the "B" port on front of the control valve (when tight, the elbow should face towards the hydraulic motor).

**DIRECTIONAL CONTROL VALVE,
FITTING AND HYDRAULIC
HOSES - CONT.**

5. Apply Teflon tape or equivalent to the threads on the restrictor swivel fitting (Item 12). Install the fitting into the "A" port on front of the control valve.

Apply Teflon tape or equivalent to the threads on another 90° elbow and install the elbow onto the restrictor fitting (when tight, the elbow should face towards the hydraulic motor).

6. Locate the two 3/4" to 1/2" reducer bushings (Items 10) from the kit. Apply Teflon tape to the threads and install the bushings into the top "IN" and bottom "OUT" ports of the control valve.

Install another 90° elbow into each of the reducers (the elbows should face towards the discharge end of the incline tube). Apply Teflon tape or equivalent to the threads of the elbows before installation.

7. Apply Teflon tape to one 1/2" quarter turn ball valve (Item 7) and install it in the 90° elbow of the "IN" port.
8. Apply Teflon tape to the ends of the two 3/8" x 5' hoses (Items 9) and connect the hoses to the elbows of the "IN" and "OUT" ports on the top and bottom of the control valve.
9. Apply Teflon tape or equivalent to the threads on the straight ends of the two 3/8" x 13' long hydraulic hoses (Items 13) and connect the hoses to the elbows in ports A and B on front of the control valve.
10. Route the hoses along the incline tube, towards the hydraulic motor. Attach a hose clamp to the hoses and secure them to the canvas hopper mounting bolts on the side of the inlet housing.
11. Continue routing the hoses behind the drive wheel and connect them to the top of the hydraulic motor. The hose from port "B" will connect to the inside motor port, the hose from port "A" will connect to the outside motor port (apply a light coat of clean hydraulic oil to the o-rings on the elbows before connecting them to the motor).

DIRECTIONAL CONTROL VALVE, FITTING AND HYDRAULIC HOSES - CONT.

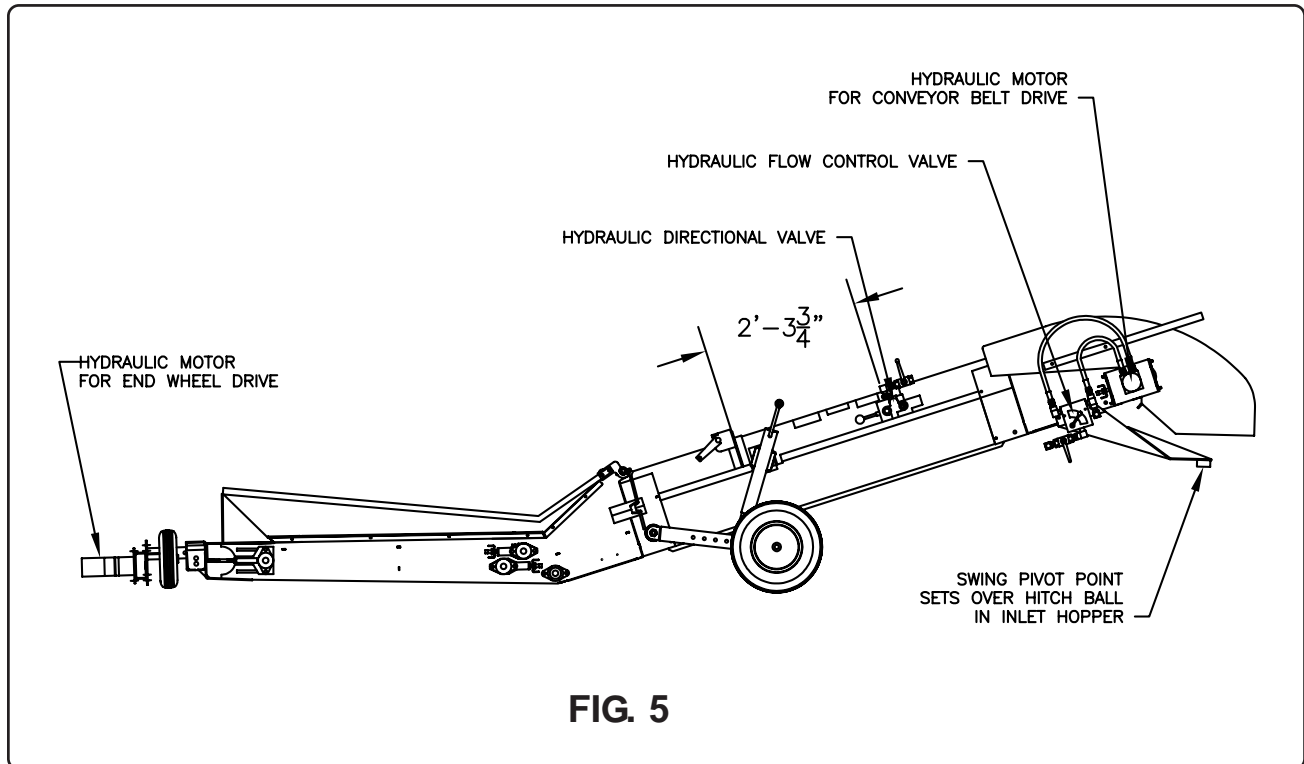


FIG. 5

12. Modify the existing plumbing at the "IN" and "EX" ports of the flow control valve, as shown in the plumbing diagram.
13. Connect the 3/8" x 5' long hose (Item 9) coming from the ball valve at the directional valve to the tee fitting at the ball valve (Item 7) at the "IN" port of the flow control valve.
14. Connect the other 3/8" x 5' long hose (Item 9) coming from the "OUT" port of the directional valve to the elbow at the "EX" port of the flow control valve.
15. Connect the two 1/2" x 12' long hoses coming from the tractor to the tee fittings at the "IN" and "EX" ports of the flow control valve.
16. Check unit operation. See operating procedures on page 6.

FLOW CONTROL PLUMBING

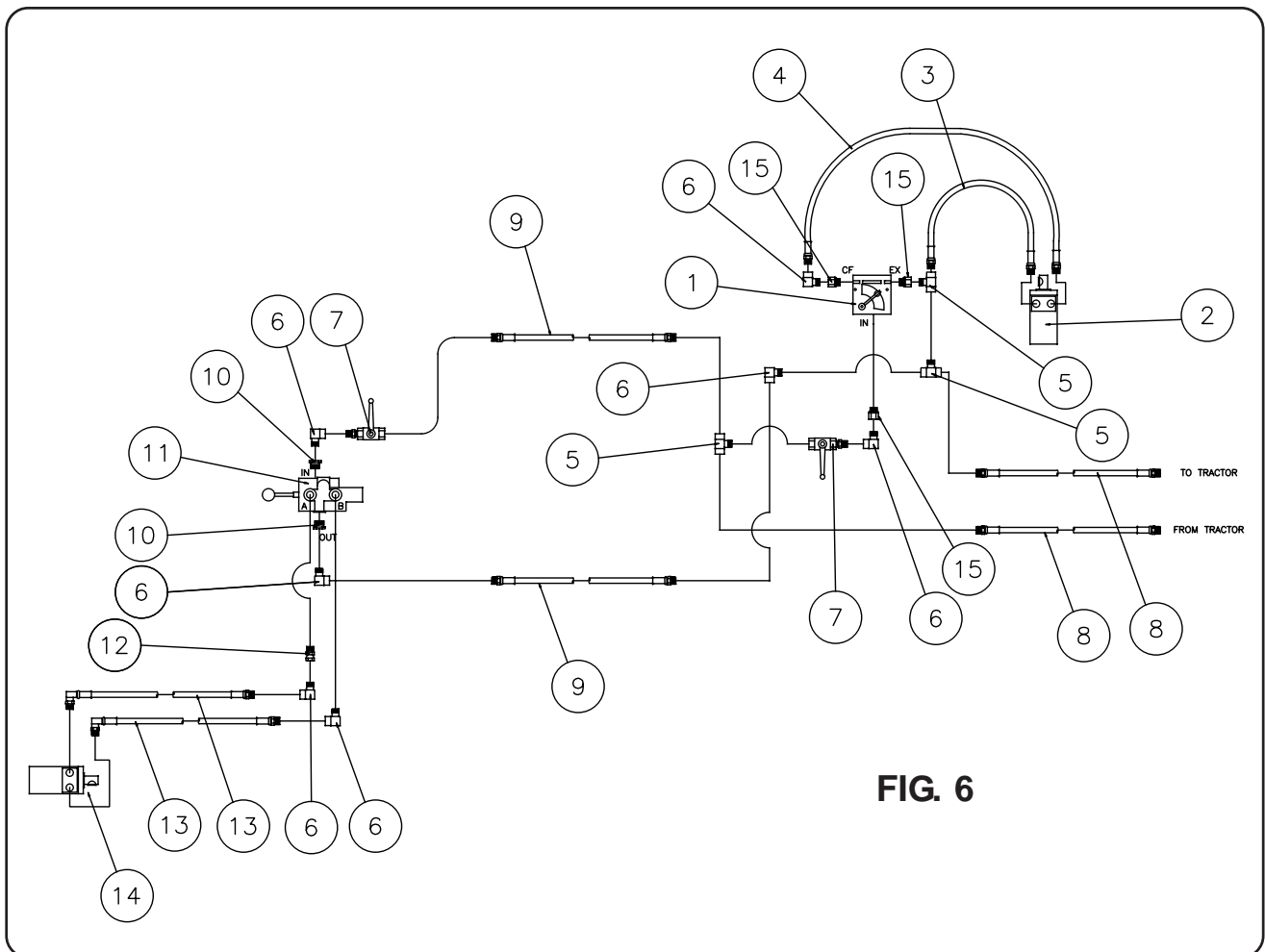
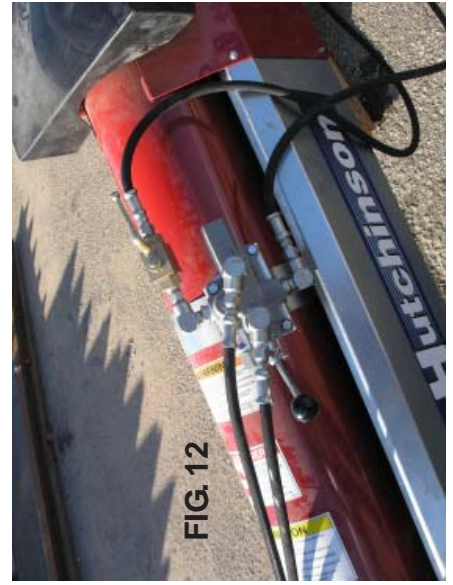


FIG. 6

REF. NO	PART NO.	DESCRIPTION
1	1048046	Valve, Hyd. Flow Control
2	1004714	Motor, Hyd. "H" Series 6.2 cu. in.
3	1024535	Hose, Hyd. 1/2" x 24"
4	1024536	Hose, Hyd. 1/2" x 34"
5	1004732	Tee, Hyd. 1/2" x 1/2" x 1/2"
6	106413	Elbow, Hyd. 1/2" Street
7	1005886	Valve, 1/2" Quarter Turn Ball
8	1024537	Hose, Hyd. 1/2" x 12'-0"
9	1034985	Hose, Hyd. 3/8" x 5'-0"
10	1022809	Bushing, Hyd. Reducer 3/4" to 1/2"
11	1022806	Valve, Hyd. Directional Control
12	1022922	Fitting, Hyd. Restrictor
13	1035001	Hose, Hyd. 3/8 x 13'
14	1022805	Motor, Hyd. "H" Series 17.9 cu. in.
15	1032734	Hydraulic Adapter, 1-1/16" male o-ring to 1/2" female pipe

PHOTO REFERENCES



0401360 0401361 0401362 0401363
0401364 0401365 0401366 0401367

**TO DEALER/
ASSEMBLER NOTICE**

The assembly of the conveyor is complete if all the applicable assembly steps in this manual have been followed.

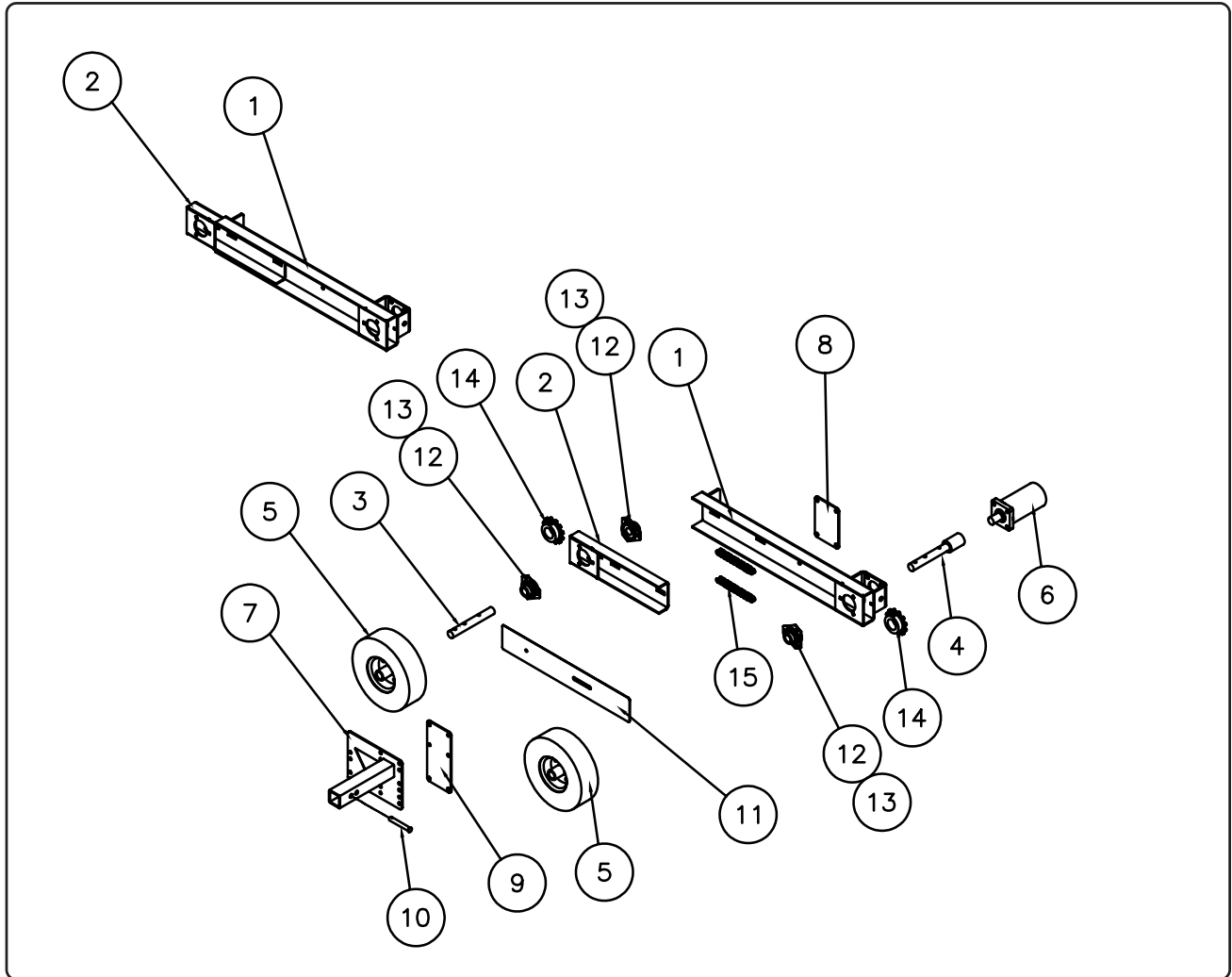
Before delivery to the owner, it is a good practice to check the following.

- A. Be sure all safety shields and devices are installed properly.
- B. Check all safety decals to see if they are clean and readable. If any are missing, damaged, painted over, etc. replace them. Decals may be obtained from your dealer, distributor or ordered from the factory.
- C. Check all bolts and fasteners to see they are tightened and secured properly.
- D. Check that the Operator's Manual container (with Operator's Manual inside) is installed in its holder on the side of the conveyor undercarriage frame.

Deliver this Assembly and Operator's Manual to the owner, along with the conveyor.

TO THE OWNER

Use the assembly instructions in this manual as a reference to determine that the conveyor is assembled properly.



REF. NO	PART NO.	DESCRIPTION	QTY.
1	1031975	Back Channel Weldment	1
2	1031976	Front Channel Weldment	1
3	1031850	Shaft, Drive	1
4	1031979	Shaft, Drive (with coupler)	1
5	1034837	Tire, Wheel & Hub Assembly	2
6	1022805	Motor, Hydraulic	1
7	1034974	Connecting Bracket Weldment	1
8	1034975	Back-up Plate	1
9	1035515	Adapter Plate	1
10	Ref.	Hitch Pin	--
11	1035517	Chain Guard Panel	1
12	6383C	Flangette Bearing	6
13	6390D	Bearing and Lock Collar, 1" spher.	3
14	420080	Sprocket, 50B 13 tooth, 1" bore	2
15	1032448	Chain, RC50 x 110 Pitch w/connecting link	1

PARTS LIST

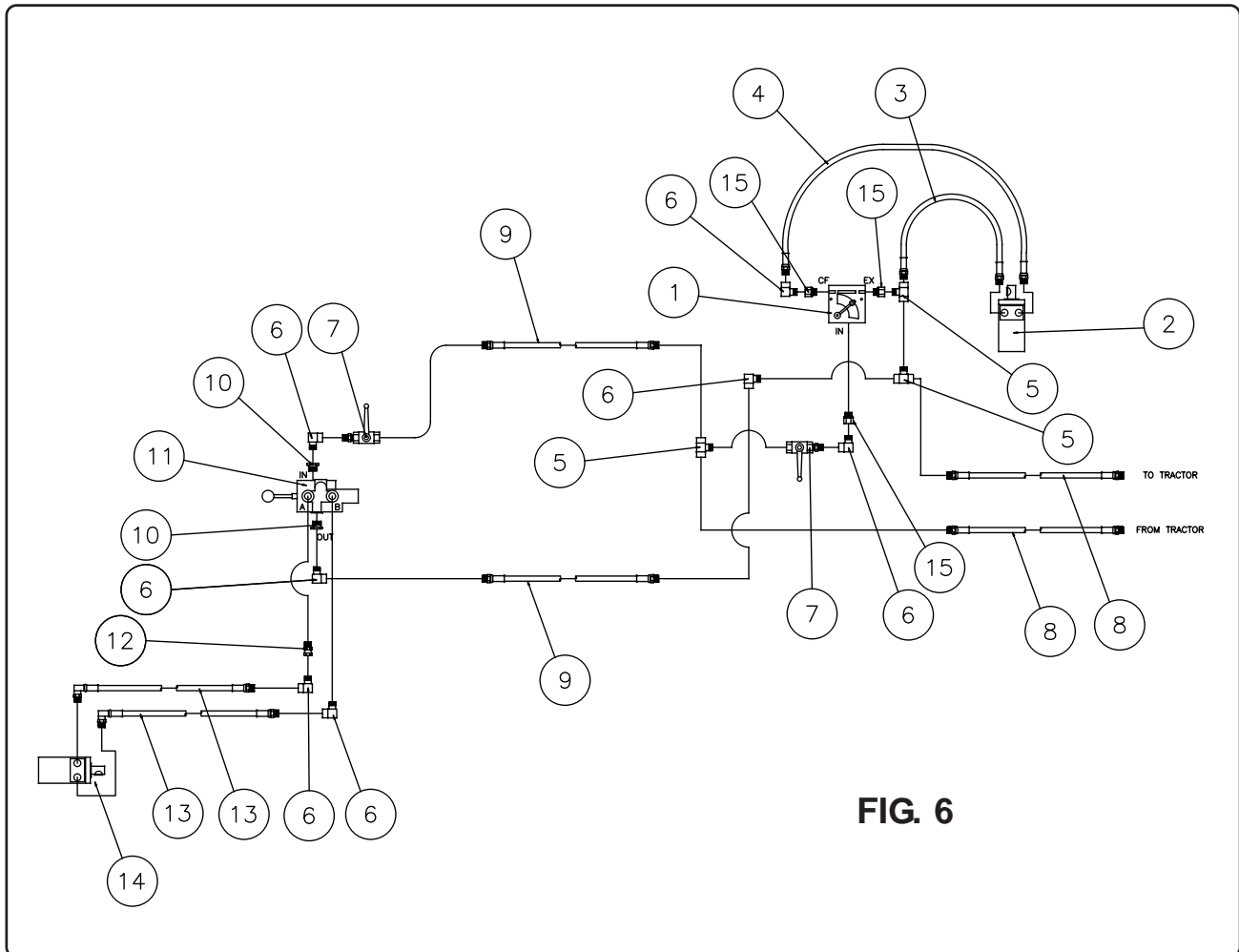


FIG. 6

REF. NO	PART NO.	DESCRIPTION
1	1048046	Valve, Hyd. Flow Control
2	1004714	Motor, Hyd. "H" Series 6.2 cu. in.
3	1024535	Hose, Hyd. 1/2" x 24"
4	1024536	Hose, Hyd. 1/2" x 34"
5	1004732	Tee, Hyd. 1/2" x 1/2" x 1/2"
6	106413	Elbow, Hyd. 1/2" Street
7	1005886	Valve, 1/2" Quarter Turn Ball
8	1024537	Hose, Hyd. 1/2" x 12'-0"
9	1034985	Hose, Hyd. 3/8" x 5'-0"
10	1022809	Bushing, Hyd. Reducer 3/4" to 1/2"
11	1022806	Valve, Hyd. Directional Control
12	1022922	Fitting, Hyd. Restrictor
13	1035001	Hose, Hyd. 3/8" x 13'
14	1022805	Motor Hyd. "H" Series 17.9 cu. in.
15	1032734	Hydraulic Adapter, 1-1/16" male o-ring to 1/2" female pipe

HUTCHINSON MAYRATH

MANUFACTURED BY
HUTCHINSON | MAYRATH

P.O. Box 629, 514 W. Crawford Street **TF** 800.523.6993
Clay Center, Kansas **P** 785.632.2161
USA 67432 **F** 785.632.5964

hutchinson-mayrath.com