

# 10" TRANSFER BELT CONVEYOR

## PARTS BOOK

Effective January 1, 2011

Publication No. PB1024543

THIS PARTS BOOK IS FOR ALL OF THE CONVEYORS STARTING AT  
SERIAL NUMBER 905205 TO PRESENT.

**\*\*\*FOR INTERNAL USE ONLY\*\*\***

**AGI  HUTCHINSON MAYRATH**

Hutchinson | Mayrath • P.O. Box 629 • Clay Center, KS. USA 67432

P 785.632.2161 • F 785.632.5964 • TF 800.523.6993

[hutchinson-mayrath.com](http://hutchinson-mayrath.com)

[aggrowth.com](http://aggrowth.com) |



# **HUTCHINSON | MAYRATH**

## **POLICIES and PROCEDURES**

**Prices:** Prices in effect at time of shipment will apply. Prices are subject to change without notice. All prices are F.O.B. Clay Center, Kansas. Orders shipped from locations other than Clay Center, Kansas will be subject to additional charges, such as back freight and/or additional freight.

**Service Charge:** A service charge will be assessed for all past due balances as permitted by state law not to exceed 1-1/2% per month.

**Minimum Order:** Processing and handling costs necessitate a minimum charge of \$15.00 net on all orders.

**Back Orders:** Back orders will be shipped as they become available. Contact Hutchinson,Mayrath Customer Service for alternative shipping options or if cancellation is desired.

**Damaged Goods:** It is the consignee's responsibility to check all shipments thoroughly upon receipt of goods. If any damage is discovered, it must be noted on the freight bill of lading before signing. The consignee must make necessary claims against the respective freight line. All damage claims must be submitted within 30 days of delivery receipt.

**Shortages:** All shortages must be noted at time of delivery. Shortages must be noted on the freight bill of lading before signing. Hutchinson,Mayrath must be advised of all concealed shortages upon discovery. Once notified of concealed shortages Hutchinson,Mayrath will advise corrective action to be taken.

**Return of Goods:** All returns must be approved by Hutchinson,Mayrath prior to shipment. All return requests will be issued a return authorization number. NO RETURNS WILL BE ACCEPTED WITHOUT A RETURN AUTHORIZATION NUMBER AND PRIOR AUTHORIZATION FROM THE FACTORY. All returns must be shipped prepaid. A 15% restocking charge will be applied to all returned merchandise. Custom Products may not be returned for credit. Only current products in new and salable condition may be returned. No safety devices may be returned for credit.

**Modifications:** It is the policy of Hutchinson,Mayrath to improve its product whenever possible and practical to do so. We reserve the right to make changes, improvements and modifications at any time without incurring the obligation to make such changes, improvements and modifications on any equipment sold previously.

**Limited Warranty:** (a) For a period of (1) year after receipt of goods by the original consumer buyer, Hutchinson,Mayrath will supply free of charge replacement parts for parts that prove defective in workmanship or material. Defective parts must be returned freight prepaid to a specified Hutchinson,Mayrath location. Only Hutchinson,Mayrath original repair parts may be used for warranty repairs.  
(b) This limited warranty does not extend to parts designed to wear in normal operation and be replaced periodically; or to damage caused by negligence, accident, abuse or improper installation or operation.  
(c) GOODS NOT MANUFACTURED BY HUTCHINSON,MAYRATH CARRY ONLY THE MANUFACTURER'S WARRANTY.  
(d) THIS UNDERTAKING IS IN LIEU OF ALL OTHER WARRANTIES, EXPRESSED OR IMPLIED, INCLUDING MERCHANTABILITY AND FITNESS FOR A PARTICULAR PURPOSE.

**FAILURE TO FOLLOW THE INSTRUCTIONS CONTAINED IN THE OWNER'S & OPERATOR'S MANUALS AND THE ITEMS LISTED BELOW WILL RESULT IN THE VOIDING OF THIS LIMITED WARRANTY.**

- (1) Improper assembly, including failure to properly install all safety equipment.
- (2) Improper installation.
- (3) Unauthorized alternations of goods.
- (4) Goods operated when obviously in need of repair.
- (5) Use of unauthorized repair parts.
- (6) Irresponsible operation.
- (7) Used to handle materials other than free flowing, nonabrasive and dry materials, as intended.
- (8) Damaged through abusive use or accident.

**Limitation of Liability:** BUYER AGREES THAT IN NO EVENT SHALL HUTCHINSON,MAYRATH HAVE LIABILITY FOR DIRECT DAMAGES IN EXCESS OF THE CONTRACT PRICE OF THE GOODS IN RESPECT OF WHICH CLAIM IS MADE. BUYER FURTHER AGREES THAT IN NO EVENT SHALL HUTCHINSON,MAYRATH ON ANY CLAIM OF ANY KIND HAVE LIABILITY FOR LOSS OF USE, LOSS OF PROFITS, OR FOR ANY INDIRECT, INCIDENTAL OR CONSEQUENTIAL DAMAGES.

# ***PARTS LIST***

**The first edition of the Parts Book was released 01-2011.**

**The first edit was completed 01-2012 and the following pages were edited.  
PB-0.**

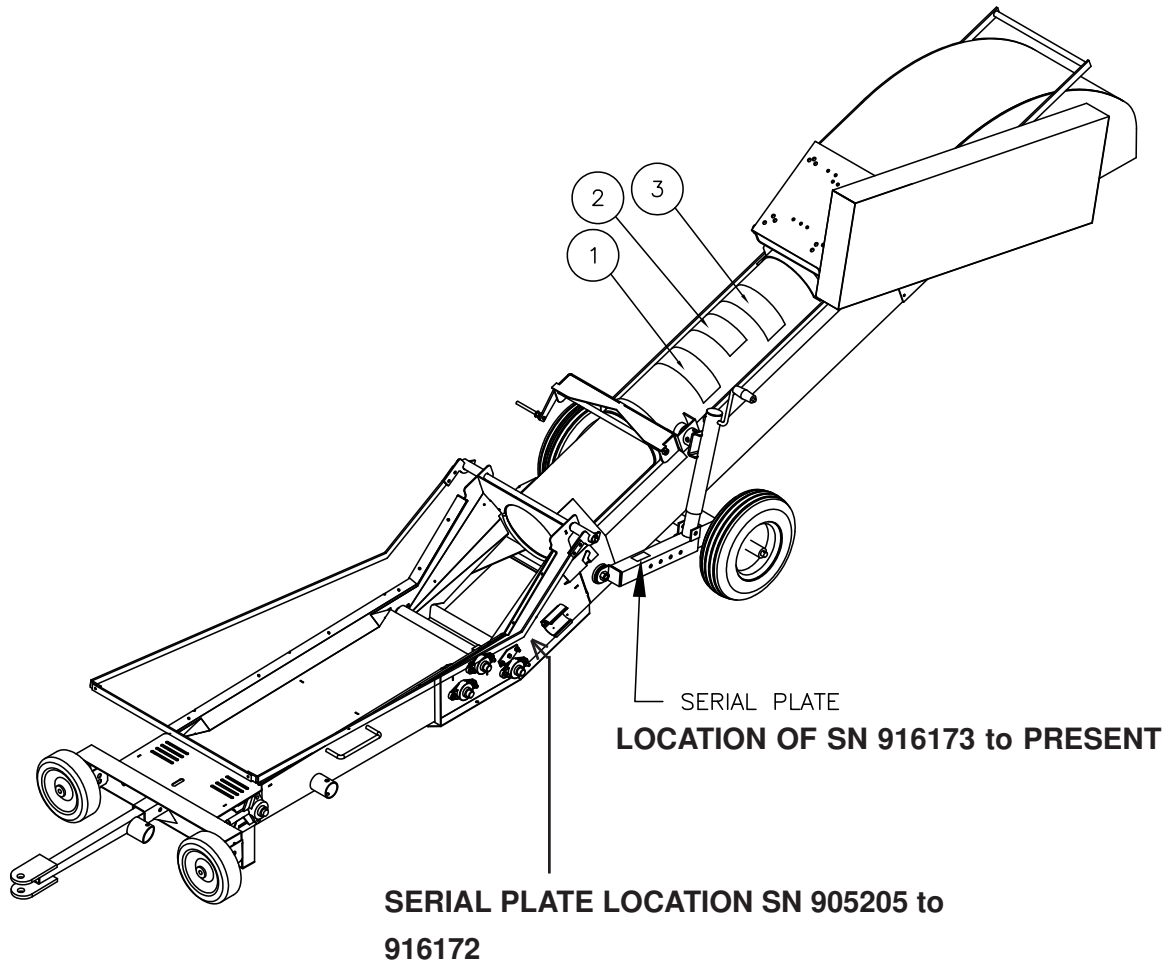
**The second edit was completed 1-15-2013 and the following pages were edited.**

**PB-0, PB-1, PB-7, PB-8, PB-13, PB-14**

# PARTS LIST

## SAFETY SIGNS AND DECALS SN 905205 to PRESENT

| REF. NO. | PART NO. | QTY. | DESCRIPTION                                | SIZE        |
|----------|----------|------|--|-------------|
| 1        | 1002301  | 1    | CAUTION - GENERAL STATEMENTS 1-8           | 4 3/4" x 8" |
| 2        | 1005324  | 1    | DANGER - "STOP", IF ANY GUARDS, SHIELD . . | 4" x 6"     |
| 3        | 1001974  | 1    | WARNING - ESCAPING HYDRAULIC OIL           | 4" x 7 1/2" |
|          | 1035579  |      | VIDEO MANUAL                               |             |
|          | 1041833  | 1    | Made in the Heart of America               |             |



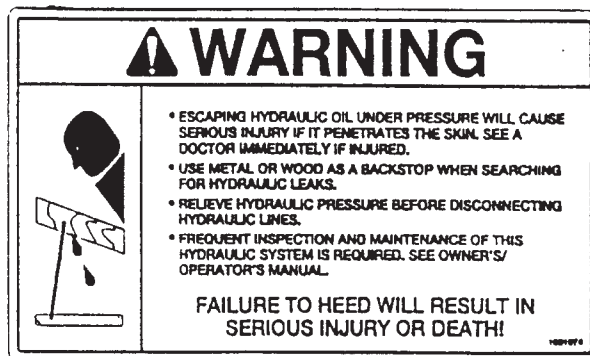
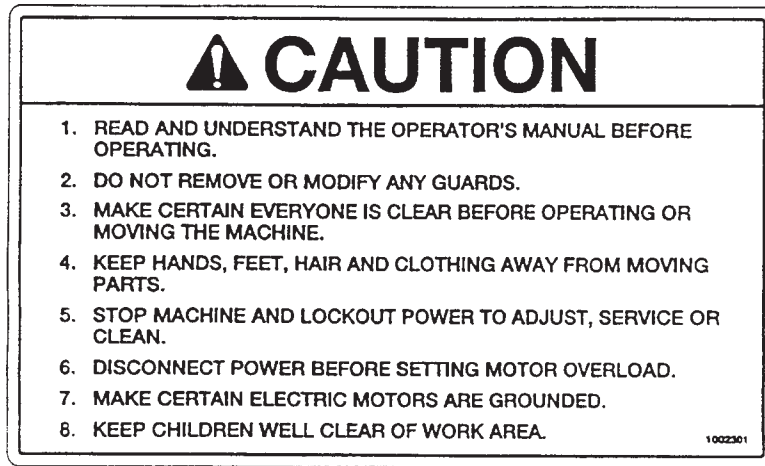
## SAFETY SIGNS AND DECALS

## SERIAL NUMBER

SN 905205 to Present

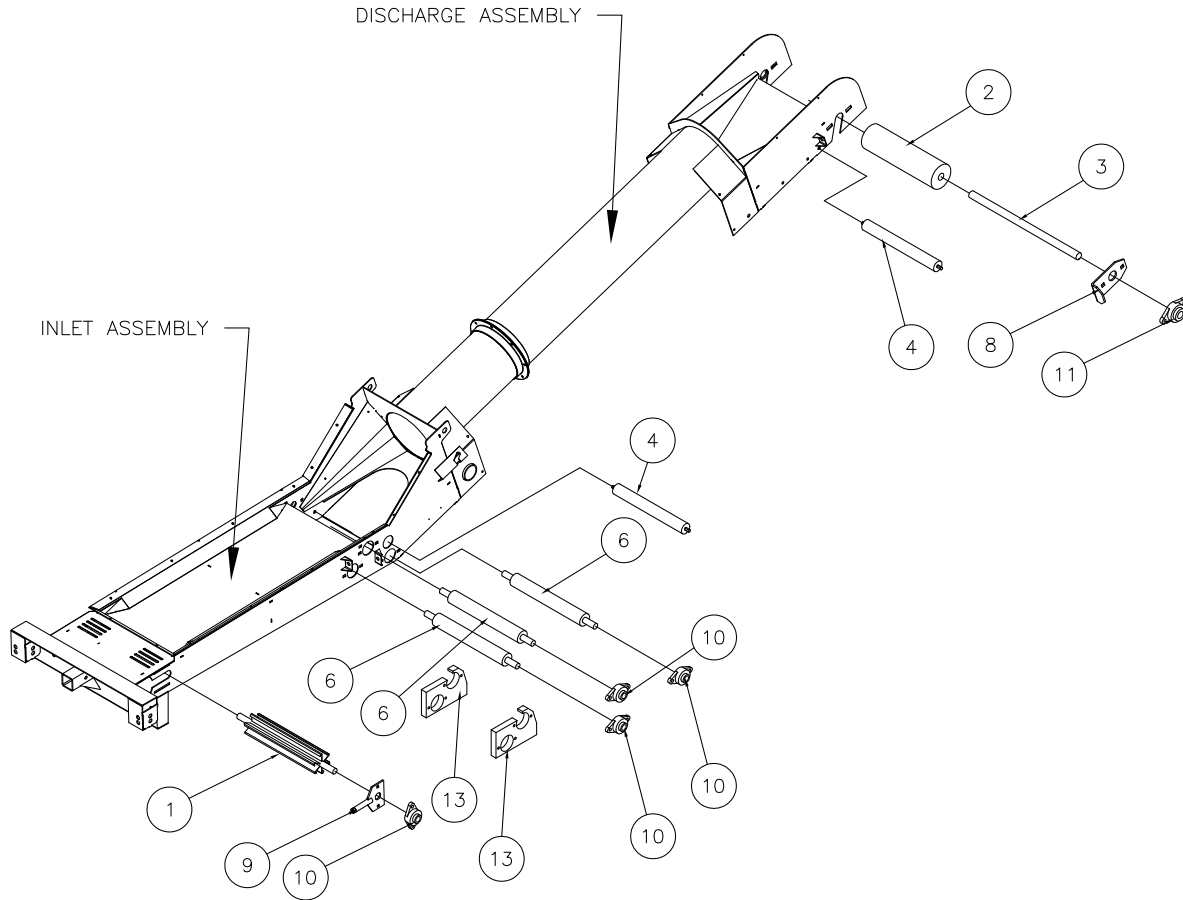
Check components as specified below to insure that safety decals are present and in good condition. If a decal cannot be easily read for any reason or has been painted over, replace it immediately. Decals may be ordered through your dealer.

To insure efficient and prompt service, please furnish us with the model and serial number of your conveyor in all correspondence or other contacts. The serial plate is located on the right hand side of the inlet housing or undercarriage.



# PARTS LIST

## CONVEYOR PULLEYS, ROLLERS & BEARINGS SN 914881 to PRESENT

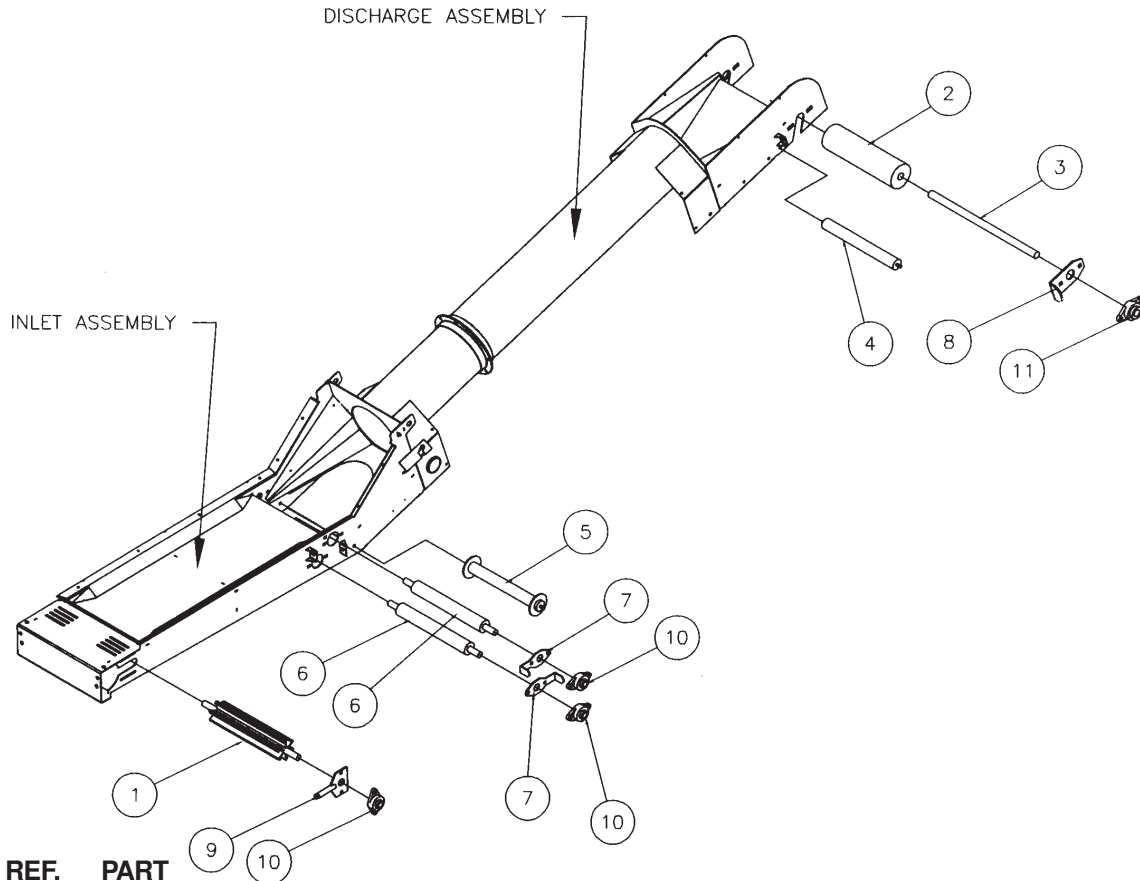


| REF. NO | PART NO. | DESCRIPTION   |
|---------|----------|---|
| 1       | 1030234  | Tail Pulley, 4" dia. x 16" CF Wing w/1" Shaft   |
| 2       | 1037085  | Head Pulley, 4" dia. x 16" CF w/1-1/4" Bore, 1/4" herringbone groove lagging <b>(See assembled P/N Below)</b> |
| 3       | 1032530  | Head Shaft, 1-1/4" dia. x 24 5/8" long  |
| 4       | 1024273  | Roller, 1.9" dia. w/Hex Shaft   |
| 6       | 1024392  | Roller "S", 2- 1/4" dia. w/1" Shaft   |
| 8       | 1023727  | Bearing Push Plate  |
| 9       | 1024475  | Take-up Bearing Bracket   |
| 10      | 1029746  | Bearing, 1" 2-Hole Flanged  |
| 11      | 1029742  | Bearing, 1-1/4" 2-Hole Flanged  |
| 12      | 1026107  | Bolt 1/2" x 6" f/Take-up Bracket (not shown)  |
| 13      | 1029001  | UHMW Seal Panel (2 places)  |
| --      | 1032529  | Items 2 & 3 Assembled   |

# PARTS LIST

## CONVEYOR PULLEYS, ROLLERS & BEARINGS SN 905205 to 914880

If the inlet assembly has been updated refer to page PB-3. If the inlet has been updated there will be white UHMW seal panel installed with the two "S" rollers.



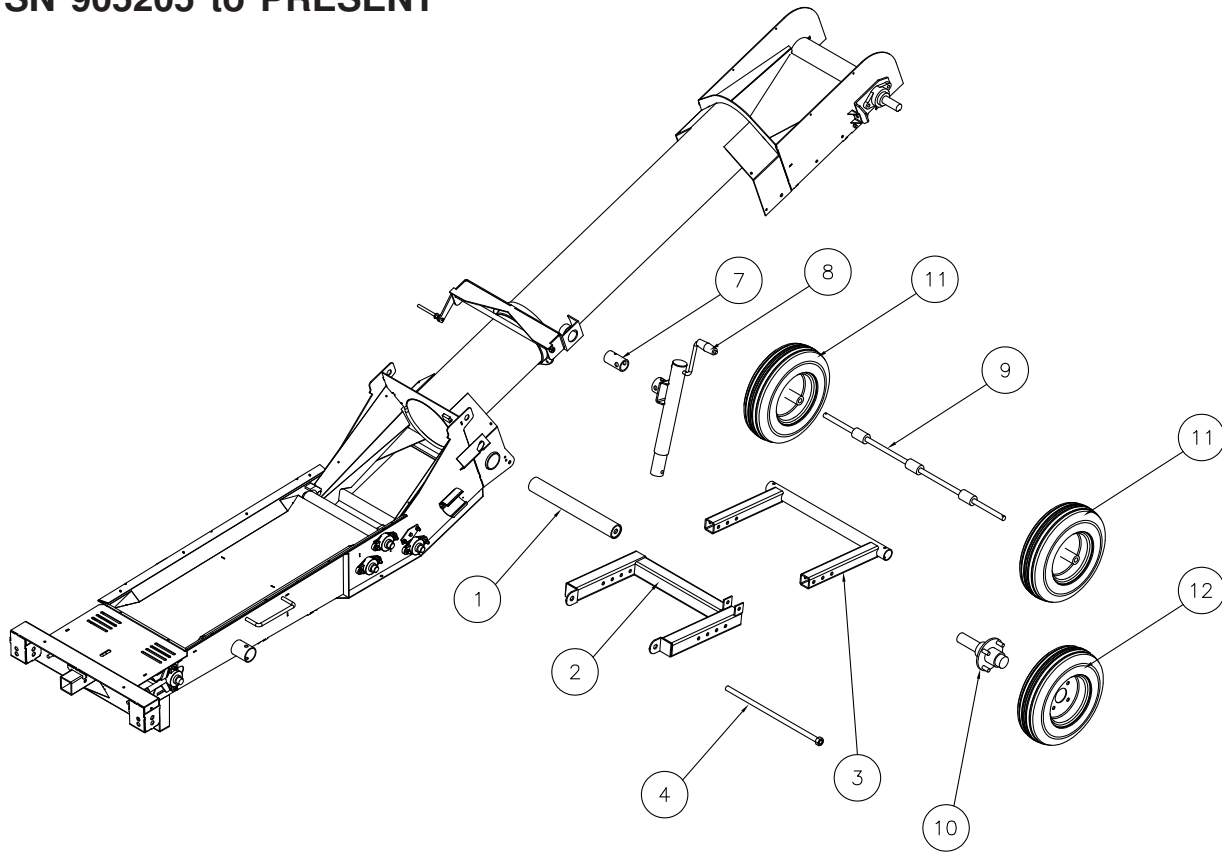
| REF. NO | PART NO. | DESCRIPTION   |
|---------|----------|---|
| 1       | 1024275  | Tail Pulley, 4" dia. x 16" CF Wing w/1" Shaft ( if this part is ordered replace with 1030234 Tail Pulley) |

If item 2 or 3 below is ordered replace with item 1032529 ( see assembly below)

|    |         |   |
|----|---------|---|
| 2  | 1024274 | Head Pulley, 4" dia. x 16" CF w/1-1/4" Bore, (See Note Above)         |
| 3  | 1032530 | Head Shaft, 1-1/4" dia. x 24 5/8" long (See Note Above)               |
| 4  | 1024273 | Roller, 1.9" dia. w/Hex Shaft   |
| 5  | 1024478 | Roller, 1.9" dia.w/Hex Shaft (Replace with 1024273)                   |
| 6  | 1024392 | Roller "S", 2- 1/4" dia. w/1" Shaft                                   |
| 7  | 1024290 | Bearing Push Plate f/1" Brg. (Not needed on the equipment if updated) |
| 8  | 1023727 | Bearing Push Plate.   |
| 9  | 1024475 | Take-up Bearing Bracket   |
| 10 | 1029746 | Bearing, 1" 2-Hole Flanged  |
| 11 | 1029742 | Bearing, 1-1/4" 2-Hole Flanged  |
| 12 | 1026107 | Bolt 1/2" x 6" f/Take-up Bracket (not shown)                          |
| -- | 1032529 | Items 2 & 3 Assembled   |

# PARTS LIST

## CONVEYOR UNDERCARRIAGE SN 905205 to PRESENT



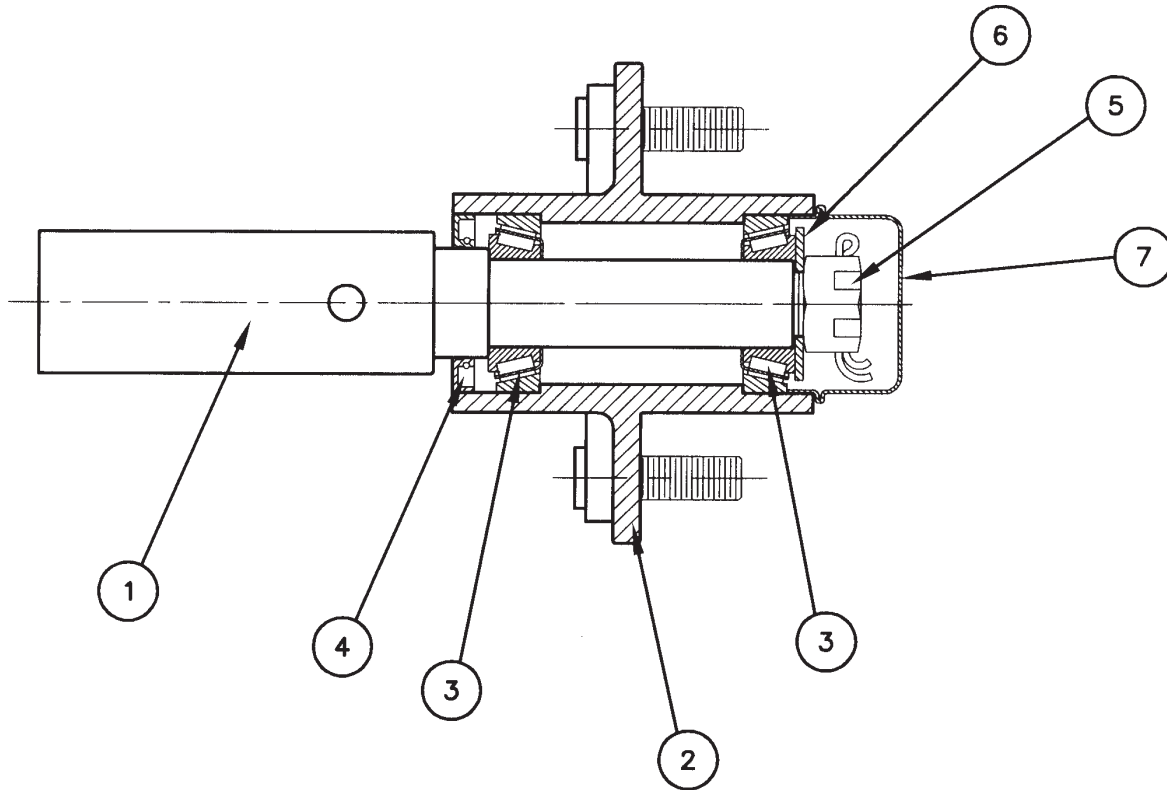
| REF. NO | PART NO. | DESCRIPTION  |
|---------|----------|--|
| 1       | 1024288  | Spacer Tube Weldment   |
| 2       | 1024443  | Upper Undercarriage Weldment   |
| 3       | 1024444  | Lower Undercarriage Weldment   |
| 4       | 1024289  | Bolt, 3/4 - 10 x 20 1/8" long  |
| 7       | 1024462  | Jack Tube Sleeve   |
| 8       | 1024514  | Screw Jack   |
| 9       | 1024451  | Axle Weldment (for basic undercarriage)  |
| 10      | 1024705  | Hub Assembly (for towable undercarriage)<br><b>(See Page PB-6 for parts breakdown)</b> |
| 11      | 800209   | Wheel & Tire Assy., 16" dia. w/3/4" Brg.<br><b>(f/basic undercarriage)</b>             |
| 12      | 1024527  | Wheel & Tire Assy. 480 x 400 x 8<br><b>(for towable undercarriage)</b>                 |



# PARTS LIST

## HUB AND SPINDLE (For Towable Undercarriage)

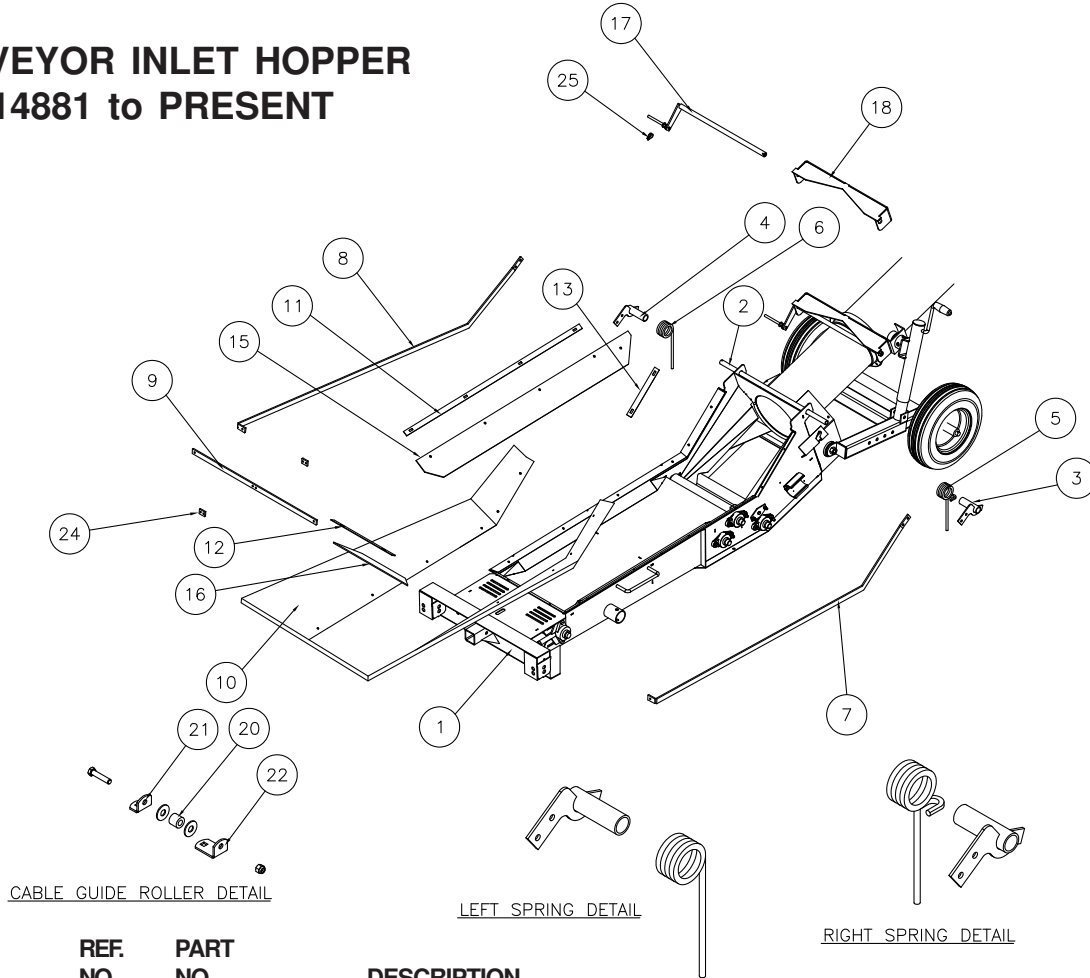
SN 905205 to PRESENT



| REF. NO | PART NO. | DESCRIPTION               |
|---------|----------|---------------------------|
| --      | 1024705  | Spindle and Hub Assembly  |
| 1       | 1024525  | Spindle                   |
| 2       | 1024522  | Hub with Bearing Cups     |
| 3       | 40377    | Bearing Cone (two places) |
| 4       | 1024523  | Seal                      |
| 5       | 6360C    | Nut                       |
| 6       | 1024526  | Washer                    |
| 7       | 1024524  | Cover                     |

# PARTS LIST

## CONVEYOR INLET HOPPER SN 914881 to PRESENT



| REF. NO | PART NO. | DESCRIPTION                                       |
|---------|----------|---|
| 1       | 1032277  | Inlet Hopper Frame Weldment                       |
| 2       | 1023835  | Spring Pivot Pipe                                 |
| 3       | 1024361  | Spring Anchor (right)                             |
| 4       | 1024360  | Spring Anchor (left)                              |
| 5       | 1023398P | Hopper Spring (right)                             |
| 6       | 1023399P | Hopper Spring (left)                              |
| 7       | 1024363  | Hopper Support Bar (right)                        |
| 8       | 1024381  | Hopper Support Bar (left)                         |
| 9       | 1024366  | Hopper End Bar                                    |
| 10      | 1024369  | Canvas Hopper                                     |
| 11      | 1024367  | Tarp Retaining Strap (side) (typical both sides)  |
| 12      | 1024368  | Tarp Retaining Strap (end)                        |
| 13      | 1024538  | Tarp Retaining Strap (upper) (typical both sides) |
| 14      | 1024546  | Skirt Rubber (incline side) (typical both sides)  |
| 15      | 1024545  | Skirt Rubber (side) (typical both sides)          |
| 16      | 1024544  | Skirt Rubber (end)                                |
|         | 1041946  | Rubber Inlet Skirt Cover (not shown) one required |

The below items are present on SN 929225 to PRESENT units.  
(If the Serial Number is below 929225 see items 17-19 on page PB-8)

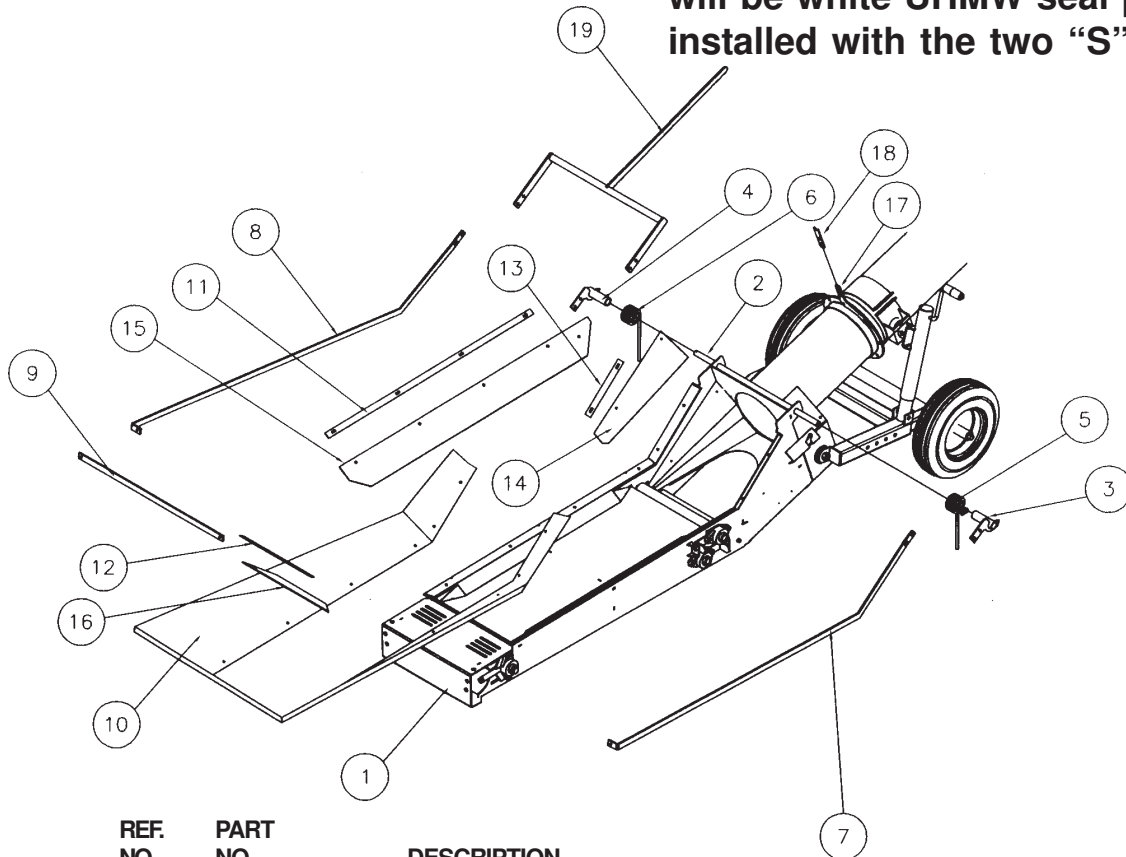
|    |         |                                     |
|----|---------|-------------------------------------|
| 17 | 1035402 | Pull Handle Weldment                |
| 18 | 1035403 | Handle Mount Weldment               |
| 19 | 4021A1  | Cable, 3/16" x 12' long (not shown) |
| 20 | 1022398 | UHMW Cable Guide Roller             |
| 21 | 1035383 | Cable Roller Bracket (short)        |
| 22 | 1035382 | Cable Roller Bracket (long)         |
| 23 | 5321C   | 3/16" Cable Clamp                   |
| 24 | 1035454 | Cable Clamp                         |
| 25 | 420035  | Cable Thimble                       |

03444C

# PARTS LIST

## CONVEYOR INLET HOPPER SN 905205 to 914880

If the inlet assembly has been updated refer to page PB-3. If the inlet has been updated there will be white UHMW seal panel installed with the two "S" rollers.



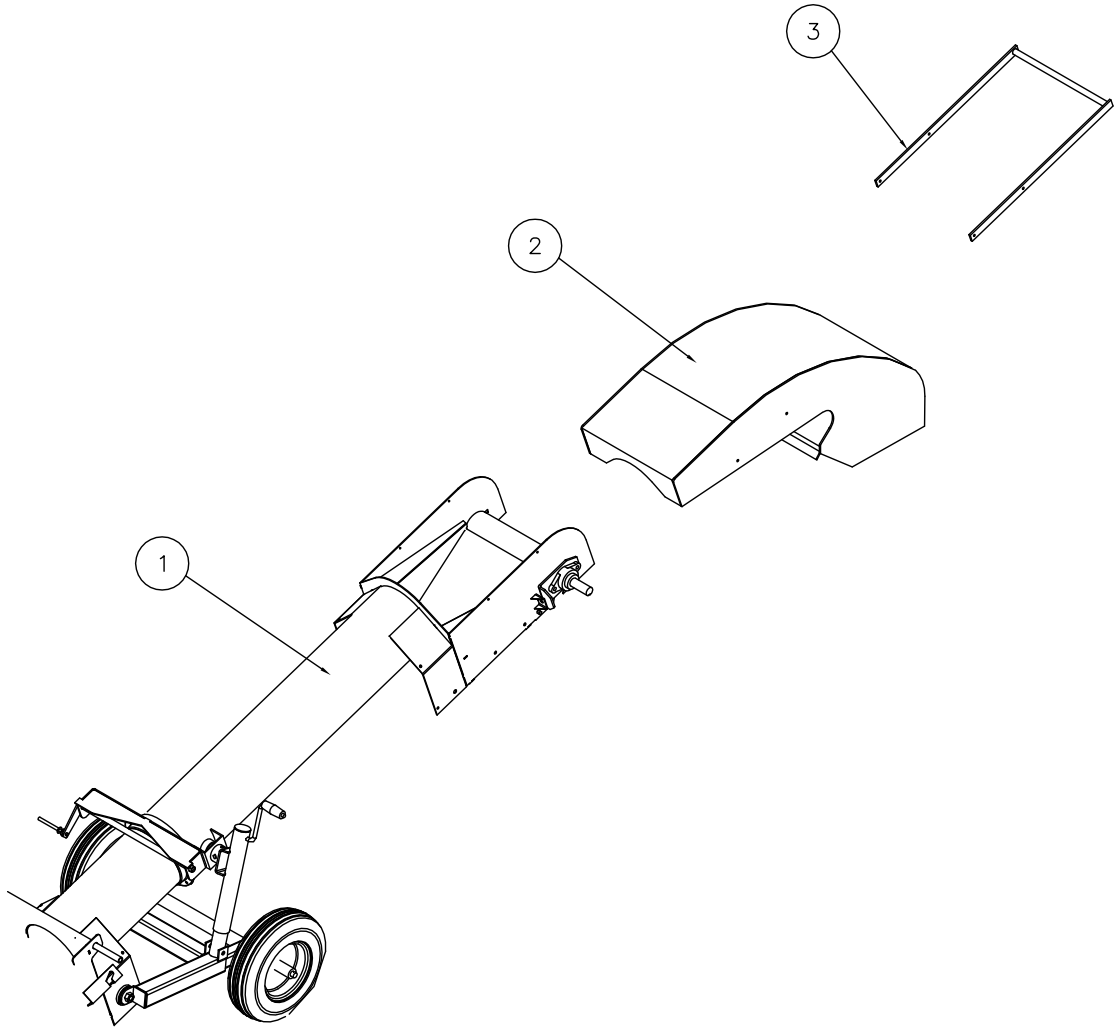
| REF. NO   | PART NO. | DESCRIPTION  |
|---|----------|--|
| 1   | 1024276  | Inlet Hopper Frame Weldment ( <b>This inlet weldment is not available replace with PN 1032277 se page PB-7</b> ) |
| <b>(If the inlet has been updated replace with PN 1032277 (see page PB-7). Also order 2 - 1029001 UHMW Seal Panel, 1- 1024273 and 1- 1029010 Hex cover plate.</b> |          |  |
| 2   | 1023835  | Spring Pivot Pipe  |
| 3   | 1024361  | Spring Anchor (right)  |
| 4   | 1024360  | Spring Anchor (left)   |
| 5   | 1023398P | Hopper Spring (right)  |
| 6   | 1023399P | Hopper Spring (left)   |
| 7   | 1024363  | Hopper Support Bar (right)   |
| 8   | 1024381  | Hopper Support Bar (left)  |
| 9   | 1024366  | Hopper End Bar   |
| 10  | 1024369  | Canvas Hopper  |
| 11  | 1024367  | Tarp Retaining Strap (side) (typical both sides)   |
| 12  | 1024368  | Tarp Retaining Strap (end)   |
| 13  | 1024538  | Tarp Retaining Strap (upper) (typical both sides)  |
| 14  | 1024546  | Skirt Rubber ( <b>if the hopper has been updated this skirt is not needed</b> )                                  |
| 15  | 1024545  | Skirt Rubber (side) (typical both sides)   |
| 16  | 1024544  | Skirt Rubber (end)   |
|   | 1041946  | Rubber Inlet Skirt Cover (not shown) one required  |

The below items are present on SN 905205 to 929224 units.  
(If the Serial Number is above 929224 see items 17-25 on page PB-7)

|    |         |                          |
|----|---------|--------------------------|
| 17 | 1024519 | Base Plate f/skirt latch |
| 18 | 1024520 | Skirt Loatch Notched Bar |
| 19 | 1024531 | Skirt Lock Handle        |

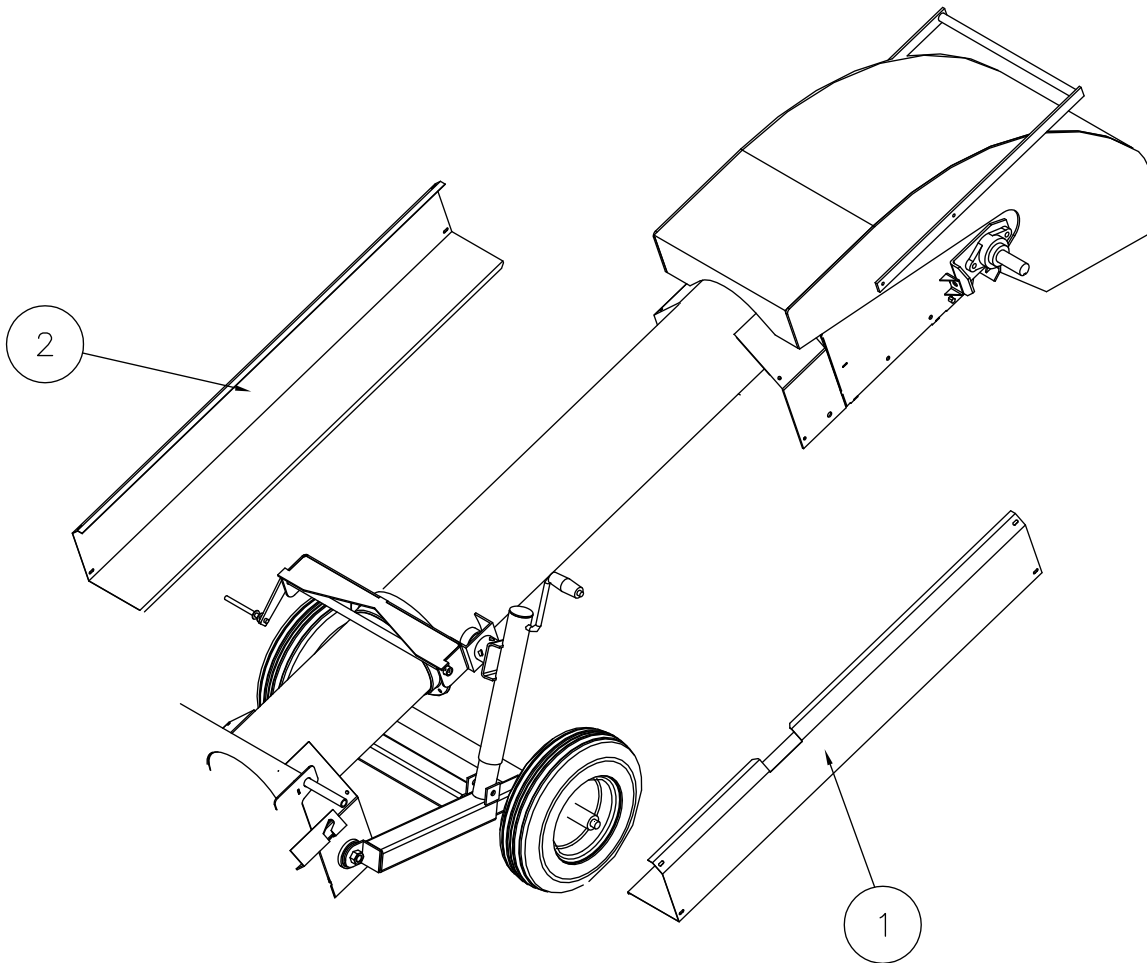
# PARTS LIST

## DISCHARGE AND SPOUT SN 905205 to PRESENT



| REF. NO | PART NO. | DESCRIPTION              |
|---------|----------|--------------------------|
| 1       | 1024316  | Discharge Frame Weldment |
| 2       | 1024495  | Plastic Discharge Spout  |
| 3       | 1024498  | Push Handle              |

## WIND GUARD ON THE STANDARD UNIT SN 905205 to PRESENT

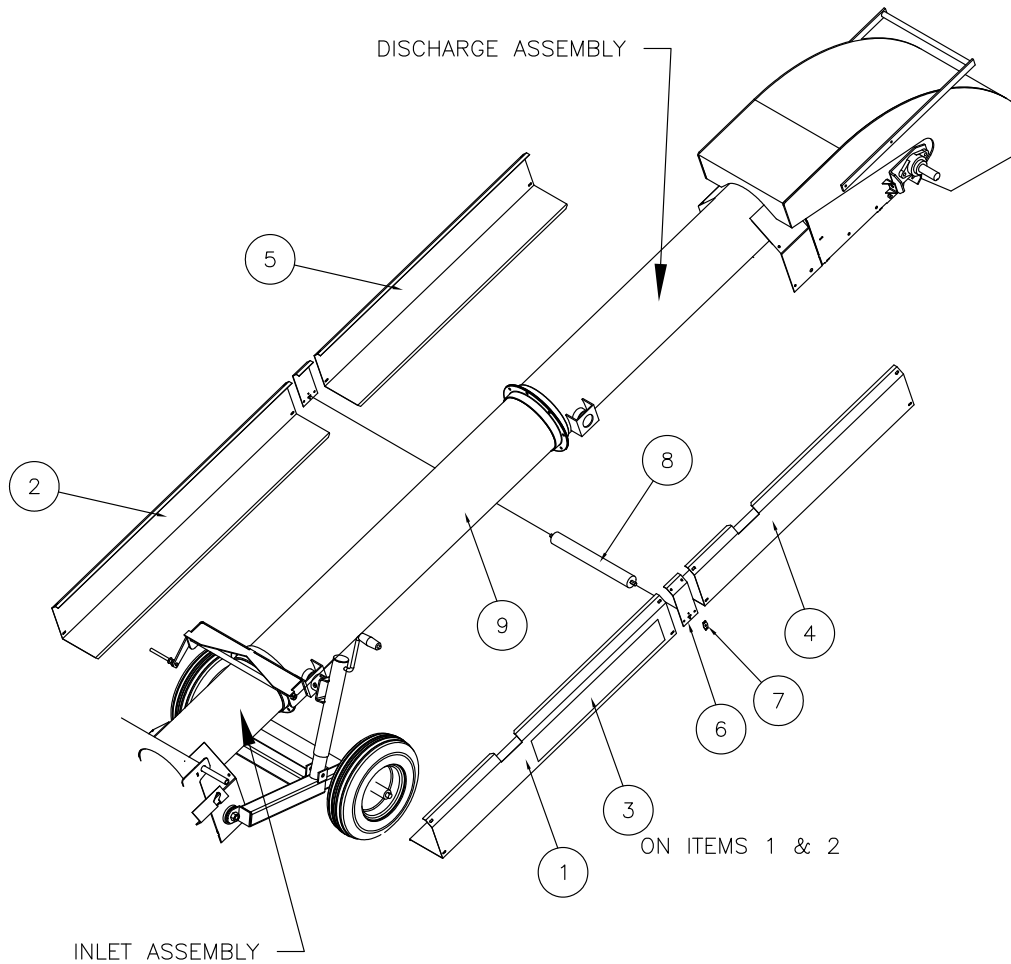


| REF. NO | PART NO. | DESCRIPTION   |
|---------|----------|---|
| 1       | 1024532  | Wind Guard Panel (right) with notch                 |
| 2       | 1024427  | Wind Guard Panel (left)                             |
| --      | 1001125  | Hutchinson Logo Decal (one used on each item 1 & 2) |
| --      | 1009864  | Mayrath Logo Decal (one used on each item 1 & 2)    |

( See page PB11 for Wind Guards that can be added to units with a 5' tube extension.)

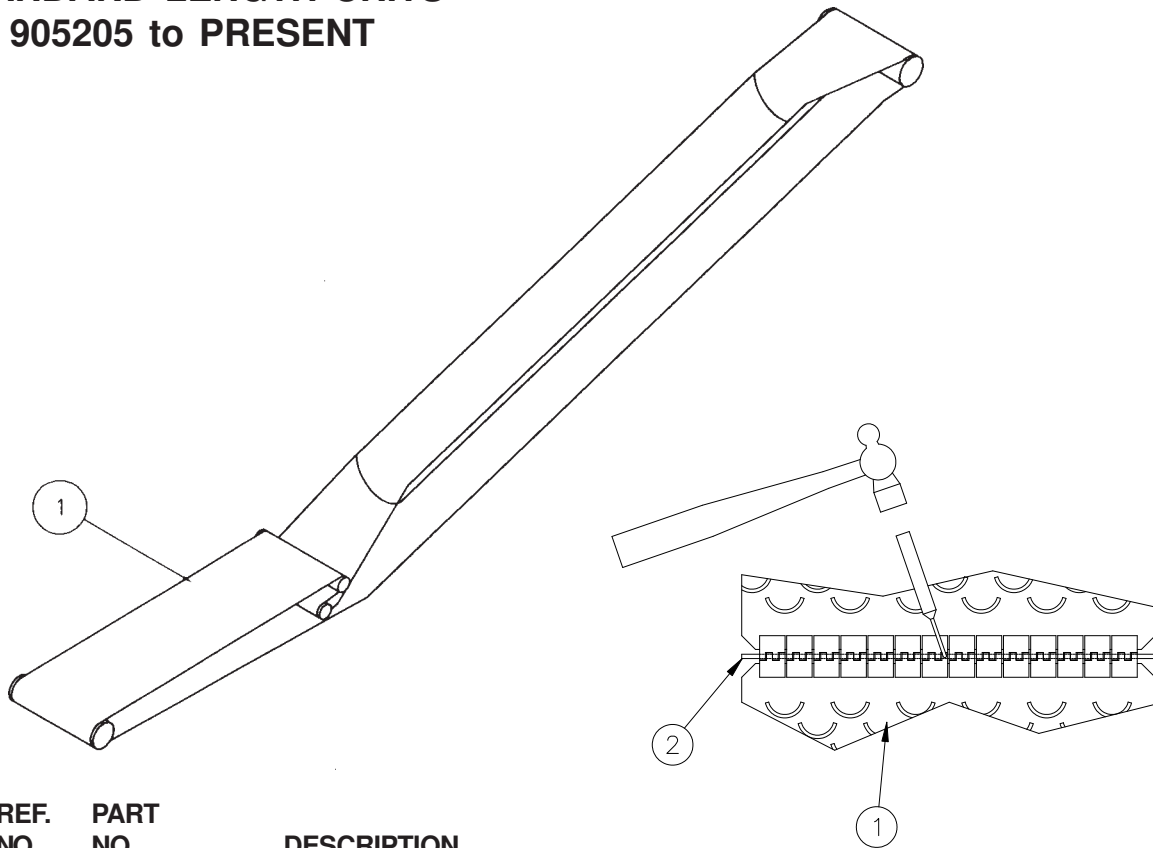
# PARTS LIST

## OPTIONAL 5' INCLINE EXTENSION PARTS SN 905205 to PRESENT



| REF. NO | PART NO. | DESCRIPTION   |
|---------|----------|---|
| 1       | 1024532  | Wind Guard Panel (lower right hand w/notch)         |
| 2       | 1024427  | Wind Guard Panel (lower left hand)                  |
| 3       | 1001125  | Hutchinson LOGO Decal (one used on each Item 1 & 2) |
| 3       | 1009864  | Mayrath LOGO Decal (one used on each Item 1 & 2)    |
| 4       | 1038321  | Wind Guard Panel (upper right hand w/notch)         |
| 5       | 1038319  | Wind Guard Panel (upper left hand)                  |
| 6       | 1038328  | Splice Plate (two required)                         |
| 7       | 1025602  | Adjusting Plate f/return roller                     |
| 8       | 1024273  | Return Roller                                       |
| 9       | 1038323  | Tube Weldment (5' extension)                        |

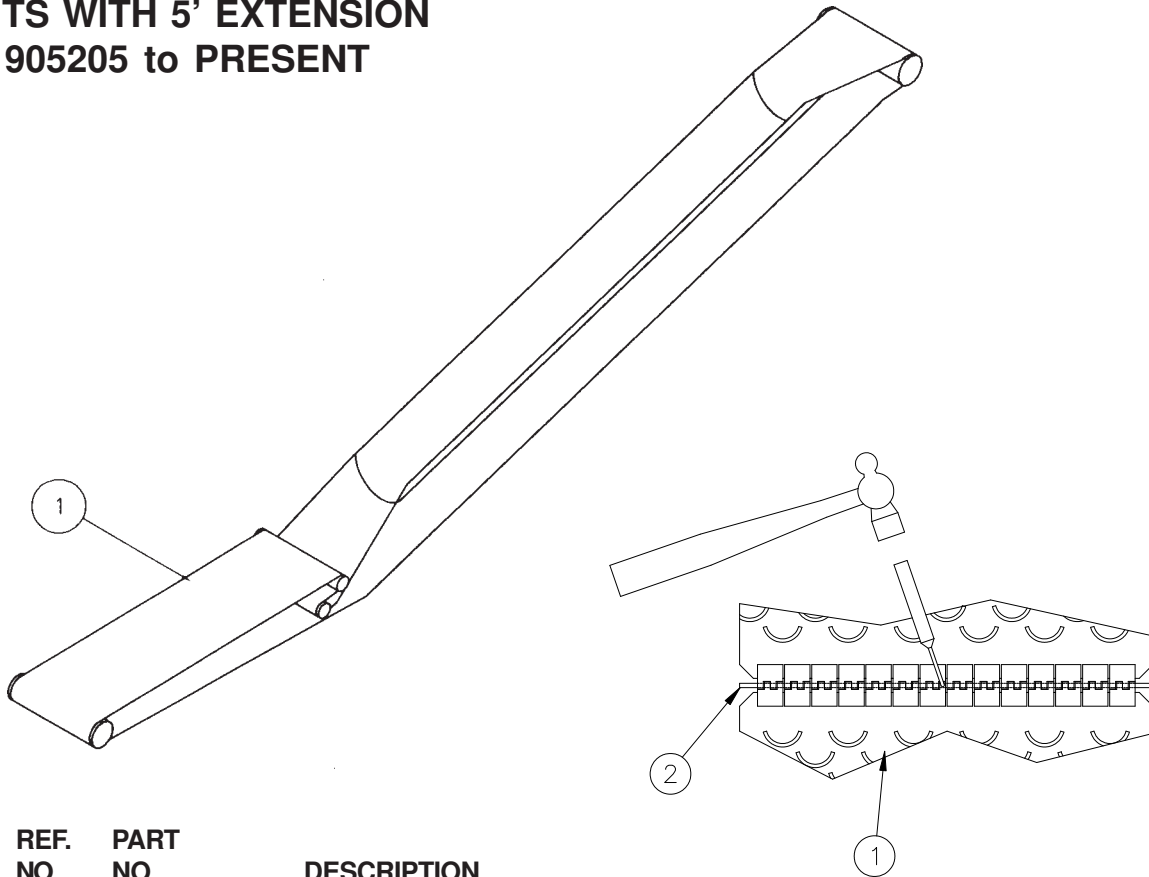
**This page was left blank  
intentionally.**

**PARTS LIST****BELTING COMPONENTS  
STANDARD LENGTH UNITS  
SN 905205 to PRESENT**

| REF. NO | PART NO.   | DESCRIPTION   |
|---------|------------|---|
| 1       | 1024457    | Conveyor Belting, 15" wide x 29'-3" long<br>Low Temp PVC, Black Crescent Top Cover w/Slider Bed Back,<br>RS125 Alligator Lacing installed on both ends.<br>(Includes nylon covered hinge pin and retaining washers) |
|         | 1024743    | PVC Belt per foot number  |
| 1       | 1024458    | Conveyor Belting, 15" wide x 29'-3" long<br>2 ply Rubber, Continuous Chevron Top w/Slider Bed Back,<br>RS 125 Alligator Lacing installed on both ends.<br>(Includes nylon covered hinge pin & retaining washers)    |
|         | 1041839    | Rubber Belt per foot number ( <b>Replaced 1031591</b> )   |
| 2       | 1024218    | Hinge Pin Kit, nylon covered steel cable x 15" long   |
|         | 1024215    | Hinge Pin Material (per foot part no.)  |
| 4       | 1015S-KIT  | Belt Splice Kit (with installation tool) (Enough for four belt splices)   |
|         | 1024260    | Belt Lace Kit 14" for 15" wide belt each.(Four of these included in 1015AS-Set)   |
|         | 1015AS-SET | Belt Splice Kit (without installation tool) (Enough for four belt splices)  |
|         | 1030704    | Splice Tool   |
|         | 1035075    | Hand Held Belt Skiver   |
|         | 1036842    | Staple Driver F/Belt Splice   |



## BELTING COMPONENTS UNITS WITH 5' EXTENSION SN 905205 to PRESENT



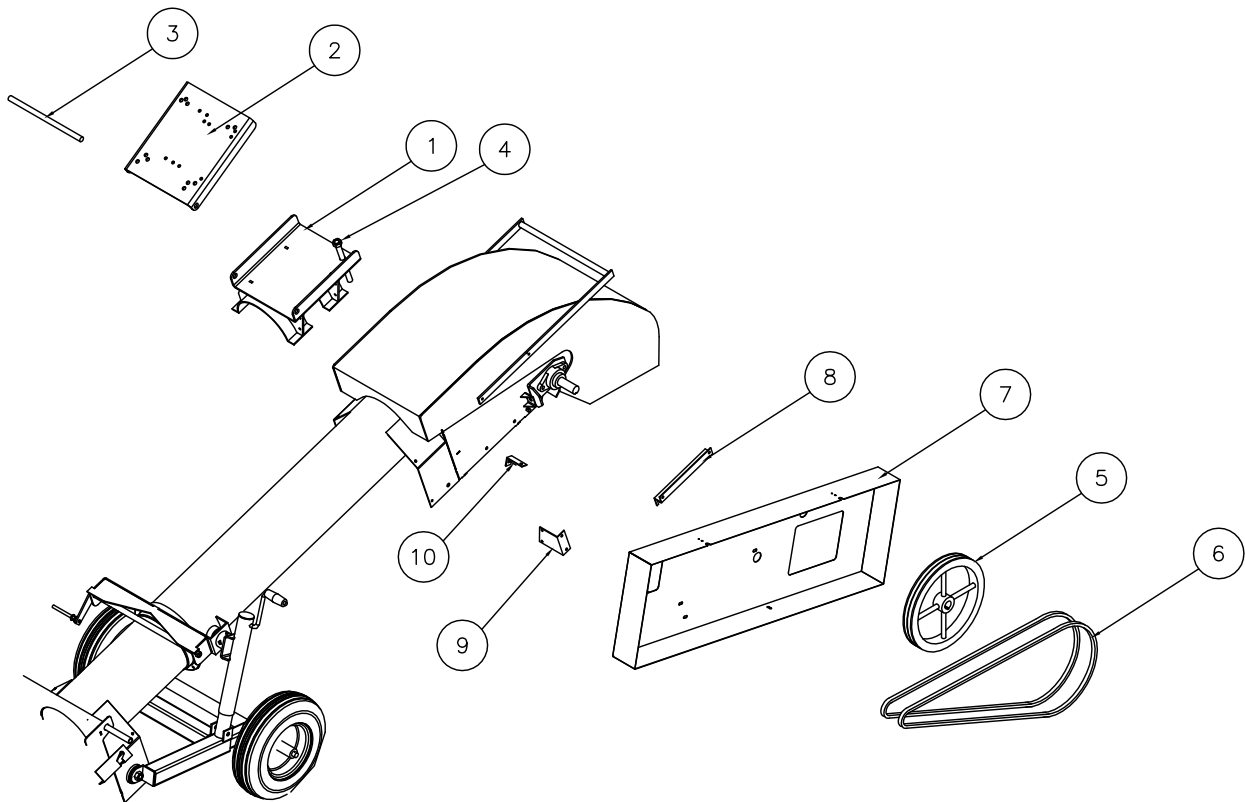
| REF. NO | PART NO.   | DESCRIPTION   |
|---------|------------|---|
| 1       | 1027314    | Conveyor Belting, 15" wide x 39'-3" long<br>Low Temp PVC, Black Crescent Top Cover w/Slider Bed Back,<br>RS125 Alligator Lacing installed on both ends.<br>(Includes nylon covered hinge pin and retaining washers) |
|         | 1024743    | PVC Belt per foot number  |
| 1       | 1038320    | Conveyor Belting, 15" wide x 39'-3" long<br>2 ply Rubber, Continuous Chevron Top w/Slider Bed Back,<br>RS 125 Alligator Lacing installed on both ends.<br>(Includes nylon covered hinge pin & retaining washers)    |
|         | 1041839    | Rubber Belt per foot number <b>(Replaced 1031591)</b>   |
| 2       | 1024218    | Hinge Pin Kit, nylon covered steel cable x 15" long   |
|         | 1024215    | Hinge Pin Material (per foot part no.)  |
| 4       | 1015S-KIT  | Belt Splice Kit (with installation tool) (Enough for four belt splices)   |
|         | 1024260    | Belt Lace Kit 14" for 15" wide belt each. (Four of these included in 1015AS-Set)  |
|         | 1015AS-SET | Belt Splice Kit (without installation tool) (Enough for four belt splices)  |
|         | 1030704    | Splice Tool   |
|         | 1035075    | Hand Held Belt Skiver   |
|         | 1036842    | Staple Driver F/Belt Splice   |

## ***PARTS LIST***

---

**This page was left blank  
intentionally.**

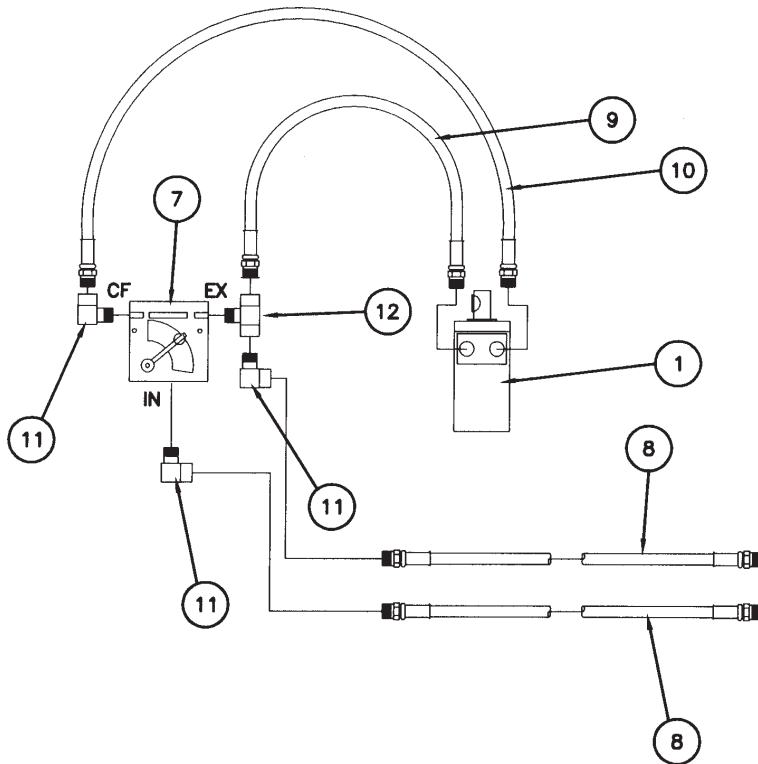
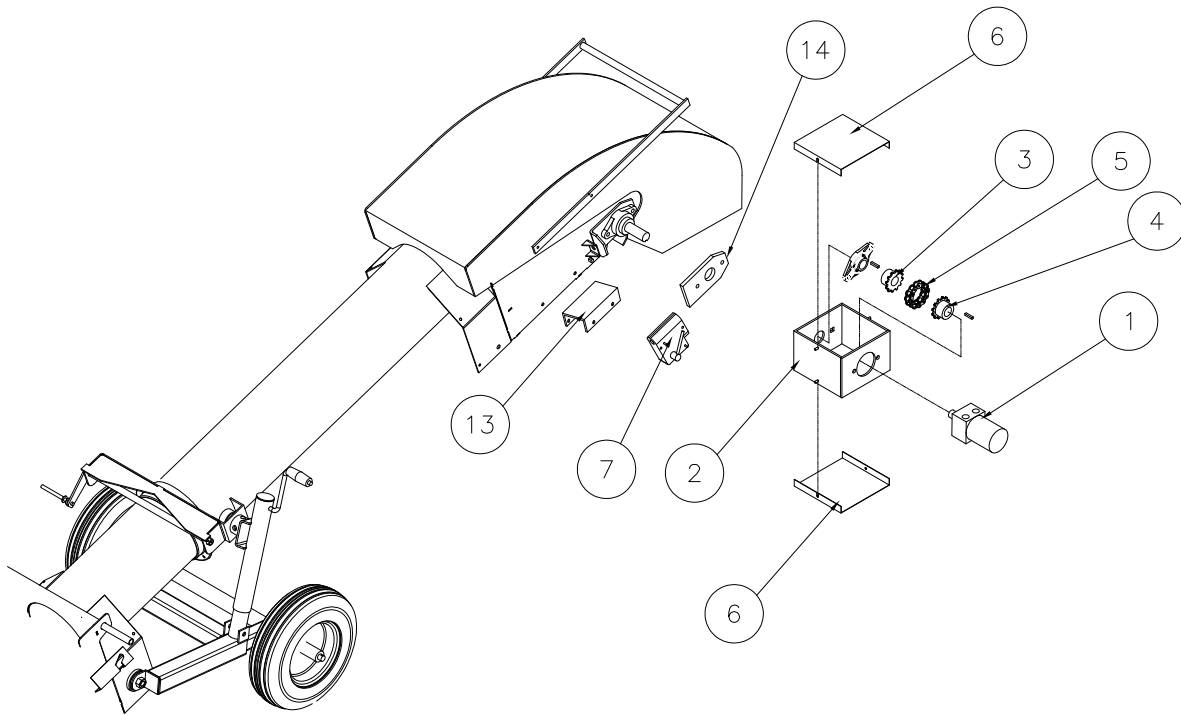
## ELECTRIC DRIVE SN 905205 to PRESENT



| REF. NO   | PART NO. | DESCRIPTION   |
|---|----------|---|
| 1   | 1024423  | Motor Mount Support Weldment  |
| 2   | 1018758  | Motor Mount Plate   |
| 3   | 1018789  | Pivot Shaft   |
| 4   | 1024558  | Motor Mount Adjusting Bolt  |
| 5   | 40152    | Sheave, 2B 12" w/1 1/4" Bore  |
| 6   | 40133    | Belt B-100 (two required)   |
| 7   | 1024507  | Belt Guard Weldment (shown w/o door)                                    |
| 8   | 1024512  | Front Belt Guard Bracket  |
| 9   | 1024511  | Rear Belt Guard Bracket   |
| 10  | 1024574  | Bottom Belt Guard Bracket   |
| <b>(Used on Standard incline unit)</b>          |          |   |
| --  | 40191    | Motor Sheave 2B 2.65" P.D. w/1-1/8" Bore<br>(For 60 Hz, 1750 RPM motor) |
| --  | 40199    | Motor Sheave 2B 3.2" P.D. w/1-1/8" Bore<br>(For 50 Hz, 1450 RPM motor)  |
| <b>(Used on unit with 5' incline extension)</b> |          |   |
| --  | 40197    | Motor Sheave 2B 2.65" P.D. w/1-3/8" Bore<br>(For 60 HZ, 1750 RPM Motor) |
| --  | 40193    | Motor Sheave 2B 3.2" P.D. w/1-3/8" Bore<br>(For 50 HZ, 1450 RPM Motor)  |

# PARTS LIST

## HYDRAULIC DRIVE & PIPING SN 914881 to PRESENT

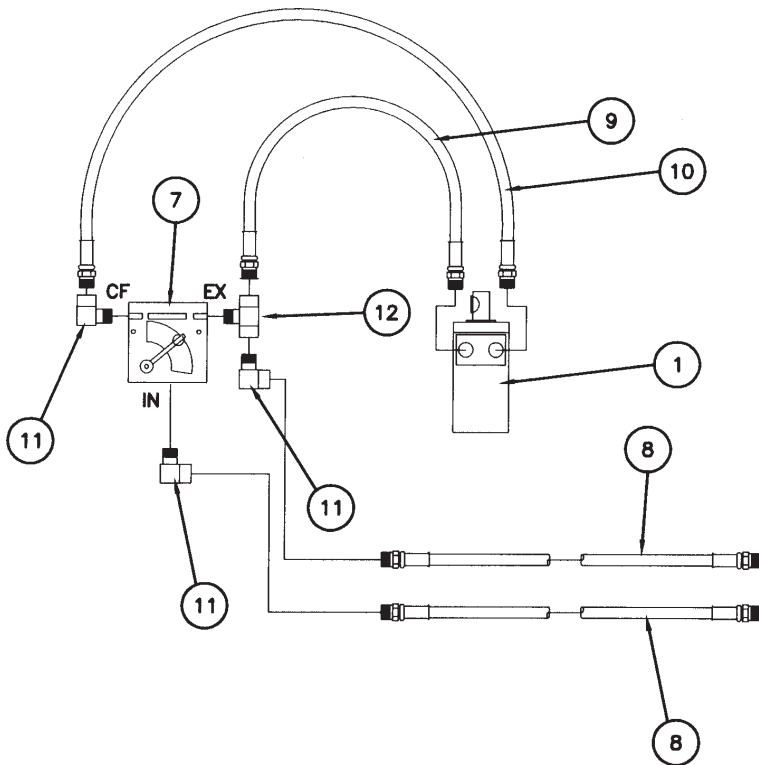
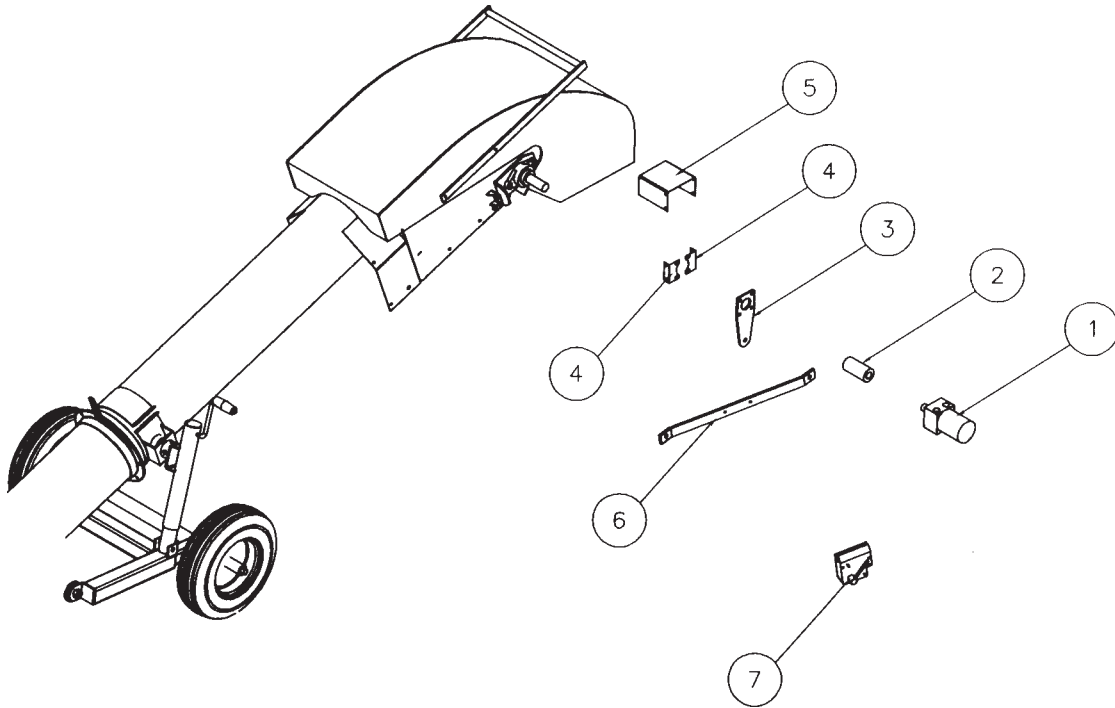


## HYDRAULIC DRIVE - CONT. SN 914881 to PRESENT

| REF. NO | PART NO. | DESCRIPTION                           |
|---------|----------|---------------------------------------|
| 1       | 1004714  | Hydraulic Motor "H" Series 5.9 cu. in |
| 2       | 1029023  | Hydraulic Motor Mount Weldment        |
| 3       | 3199A1   | Coupler Half 60B12 w/1-1/4" Bore      |
| 4       | 3198A1   | Coupler Half 60B12 w/1" Bore          |
| 5       | 3146A91  | Flex Coupler Chain RC-60              |
| 6       | 1029028  | Coupling Guard Panel (two required)   |
| 7       | 106404   | Hydraulic Flow Control Valve          |
| 8       | 1024537  | Hydraulic Hose 1/2" x 12'-0" long     |
| 9       | 1024535  | Hydraulic Hose 1/2" x 24" long        |
| 10      | 1024536  | Hydraulic Hose 1/2" x 34" long        |
| 11      | 106413   | Hydraulic Elbow, 90°                  |
| 12      | 1004732  | Hydraulic Tee                         |
| 13      | 1029029  | Valve Mount Bracket                   |
| 14      | 1029024  | Bearing Spacer Plate                  |

# PARTS LIST

## HYDRAULIC DRIVE & PIPING SN 905205 to 914880



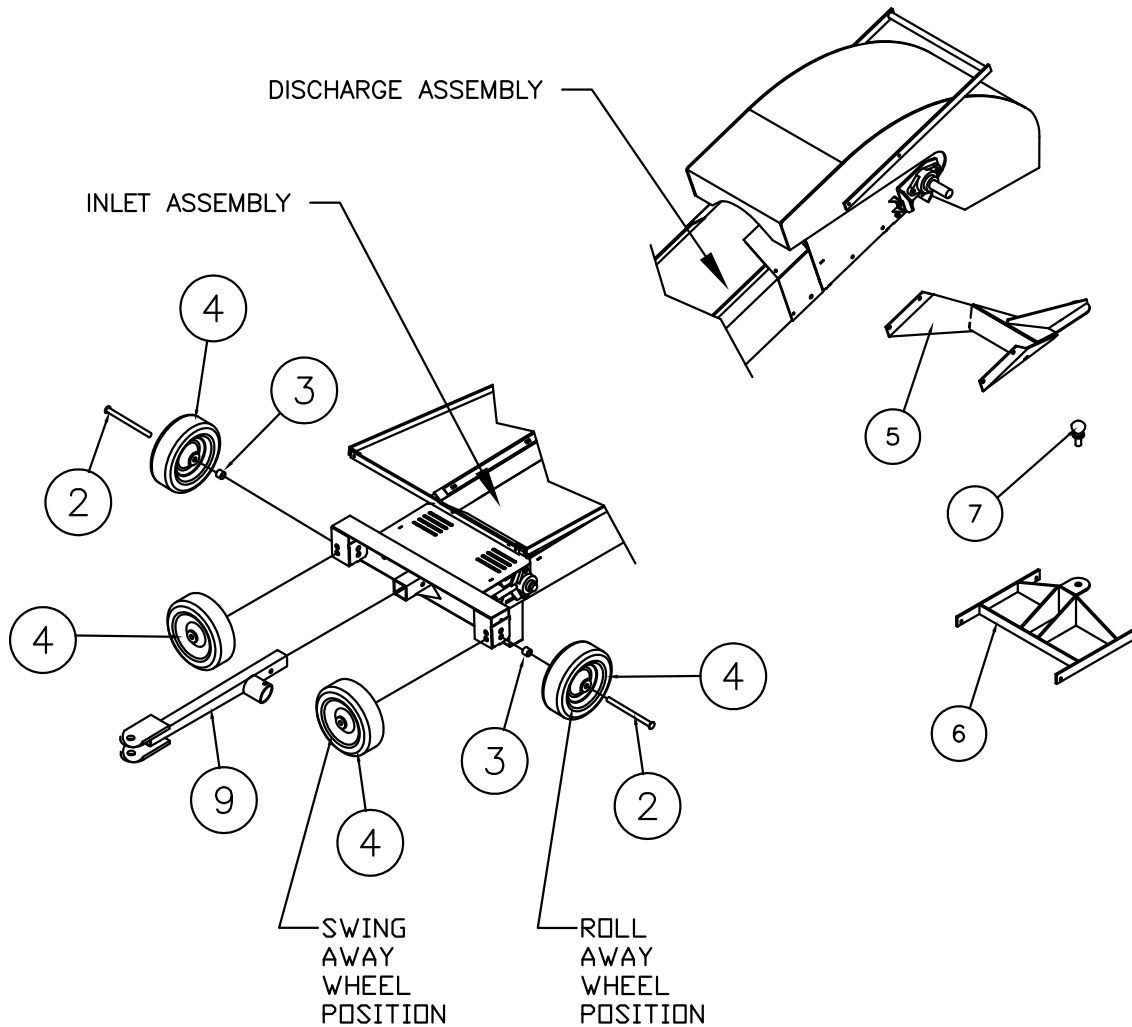
# PARTS LIST

## HYDRAULIC DRIVE - CONT. SN 905205 to 914880

| REF. NO | PART NO. | DESCRIPTION   |
|---------|----------|---|
| 1       | 1004714  | Hydraulic Motor "H" Series 5.9 cu. in   |
| 2       | 1002383  | Step Coupler w/Snap Ring (if this step coupler is being ordered for replacement suggest to upgrade to the new style of motor mount. Reference page PB-17. If that is ok then order the following parts. |
| 2       | 1029023  | Hydraulic Motor Mount Weldment  |
| 3       | 3199A1   | Coupler Half 60B12 w/1-1/4" Bore  |
| 4       | 3198A1   | Coupler Half 60B12 w/1" Bore  |
| 5       | 3146A91  | Flex Coupler Chain RC-60  |
| 6       | 1029028  | Coupling Guard Panel (two required)   |
| 13      | 1029029  | Valve Mount Bracket   |
| 14      | 1029024  | Bearing Spacer Plate  |
| 3       | 1024494  | Hydraulic Motor Mount Plate   |
| 4       | 1024435  | Coupler Shield Mount Plate  |
| 5       | 1024436  | Coupler Shield  |
| 6       | 1024437  | Torque Arm Bar  |
| 7       | 106404   | Hydraulic Flow Control Valve  |
| 8       | 1024537  | Hydraulic Hose 1/2" x 12'-0" long   |
| 9       | 1024535  | Hydraulic Hose 1/2" x 24" long  |
| 10      | 1024536  | Hydraulic Hose 1/2" x 34" long  |
| 11      | 106413   | Hydraulic Elbow, 90°  |
| 12      | 1004732  | Hydraulic Tee   |

# PARTS LIST

## SWING-AWAY AND TOW HITCH SN 92270 to PRESENT



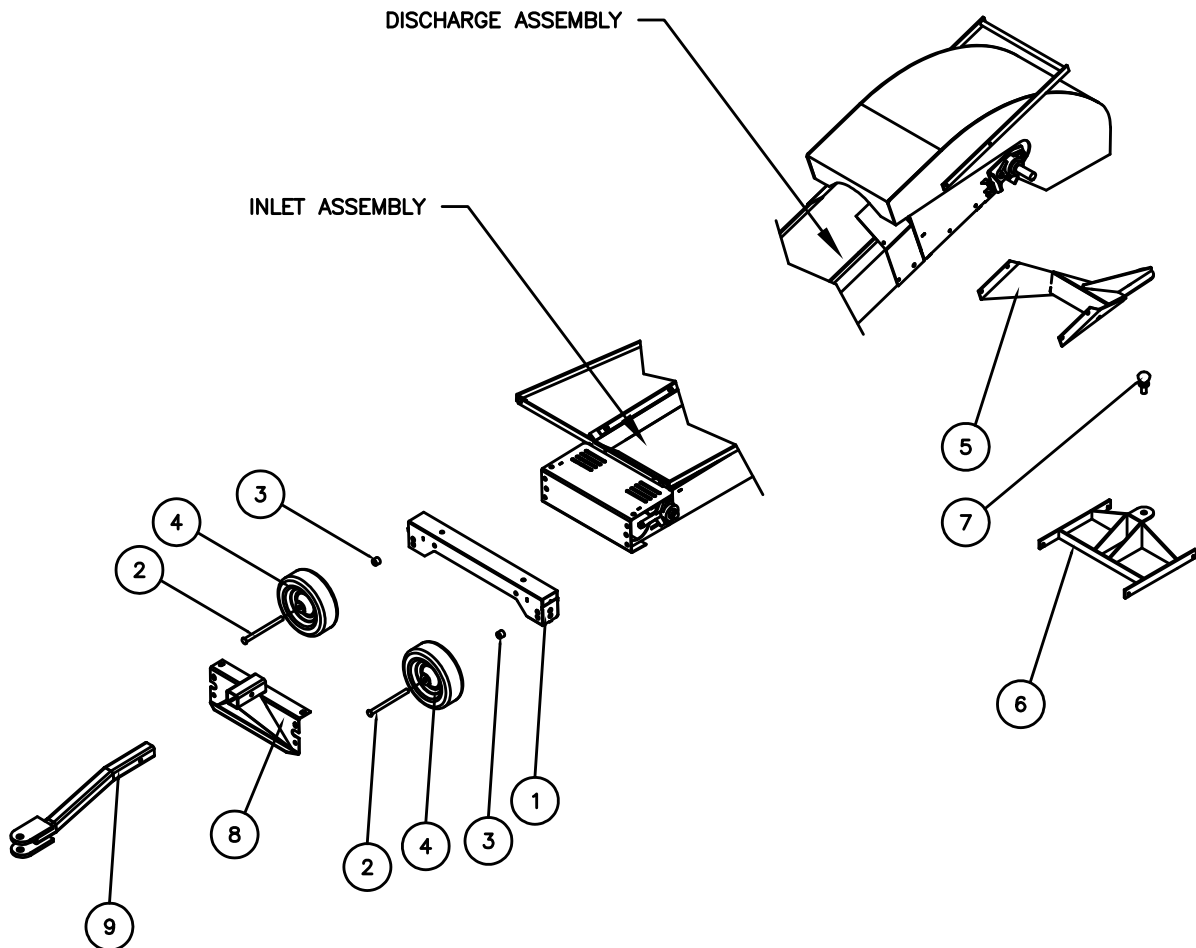
| REF. NO | PART NO. | DESCRIPTION   |
|---------|----------|---|
| 2       | 1024345  | Wheel Axle  |
| 3       | 1021030  | Spacer Bushing f/Wheel                                  |
| 4       | 1022373  | Wheel, 10" x 3 1/4" w/5/8" Bore                         |
| 5       | 1024323  | Pivot Bracket Weldment                                  |
| 6       | 1024329  | Hopper Pivot Bracket (For single belt conveyor hopper)  |
| 6       | 1026460  | Hopper Pivot Bracket (For squeeze belt conveyor hopper) |
| 6       | 1032011  | Hopper Pivot Bracket (For portable grain pump hopper)   |
| 6       | 1037376  | Hopper Pivot Bracket (For LPCC or transfer belt hopper) |
| 7       | 1024506  | Hitch Ball  |
| 9       | 1032278  | Hitch Tube Weldment                                     |

**NOTE: For towable undercarriage parts, see page PB-PB5.**



# PARTS LIST

## SWING-AWAY AND TOW HITCH SN 905205 to 922269



| REF. NO | PART NO. | DESCRIPTION   |
|---------|----------|---|
| 1       | 1024340  | Wheel Mount Weldment                                    |
| 2       | 1024345  | Wheel Axle  |
| 3       | 1021030  | Spacer Bushing f/Wheel                                  |
| 4       | 1022373  | Wheel, 10" x 3 1/4" w/5/8" Bore                         |
| 5       | 1024323  | Pivot Bracket Weldment                                  |
| 6       | 1024329  | Hopper Pivot Bracket (For single belt conveyor hopper)  |
| 6       | 1026460  | Hopper Pivot Bracket (For squeeze belt conveyor hopper) |
| 6       | 1032011  | Hopper Pivot Bracket (For portable grain pump hopper)   |
| 6       | 1037376  | Hopper Pivot Bracket (For LPCC or transfer belt hopper) |
| 7       | 1024506  | Hitch Ball  |
| 8       | 1024463  | Hitch Mount Weldment                                    |
| 9       | 1032278  | Hitch Tube Weldment                                     |

**NOTE: For towable undercarriage parts, see page PB-PB5.**

## ***PARTS LIST***

---

**This page was left blank  
intentionally.**



# **AGI HUTCHINSON MAYRATH**

MANUFACTURED BY  
**HUTCHINSON | MAYRATH**

P.O. Box 629, 514 W. Crawford Street    **TF** 800.523.6993  
Clay Center, Kansas                            **P** 785.632.2161  
USA 67432    **F** 785.632.5964

**[hutchinson-mayrath.com](http://hutchinson-mayrath.com)**