

10" PORTABLE SINGLE BELT CONVEYOR FOR 35', 60', 70 & 85'

PARTS BOOK

Effective January 1, 2011

Publication No. PB 1025558

THIS PARTS BOOK IS FOR ALL OF THE CONVEYORS
STARTING AT SERIAL NUMBER 904401 TO PRESENT.

***** FOR INTERNAL USE ONLY *****

AGI  HUTCHINSON MAYRATH

Hutchinson | Mayrath • P.O. Box 629 • Clay Center, KS. USA 67432

P 785.632.2161 • F 785.632.5964 • TF 800.523.6993

hutchinson-mayrath.com

aggrowth.com

AGI 

HUTCHINSON | MAYRATH

POLICIES and PROCEDURES

Prices: Prices in effect at time of shipment will apply. Prices are subject to change without notice. All prices are F.O.B. Clay Center, Kansas. Orders shipped from locations other than Clay Center, Kansas will be subject to additional charges, such as back freight and/or additional freight.

Service Charge: A service charge will be assessed for all past due balances as permitted by state law not to exceed 1-1/2% per month.

Minimum Order: Processing and handling costs necessitate a minimum charge of \$15.00 net on all orders.

Back Orders: Back orders will be shipped as they become available. Contact Hutchinson,Mayrath Customer Service for alternative shipping options or if cancellation is desired.

Damaged Goods: It is the consignee's responsibility to check all shipments thoroughly upon receipt of goods. If any damage is discovered, it must be noted on the freight bill of lading before signing. The consignee must make necessary claims against the respective freight line. All damage claims must be submitted within 30 days of delivery receipt.

Shortages: All shortages must be noted at time of delivery. Shortages must be noted on the freight bill of lading before signing. Hutchinson,Mayrath must be advised of all concealed shortages upon discovery. Once notified of concealed shortages Hutchinson,Mayrath will advise corrective action to be taken.

Return of Goods: All returns must be approved by Hutchinson,Mayrath prior to shipment. All return requests will be issued a return authorization number. NO RETURNS WILL BE ACCEPTED WITHOUT A RETURN AUTHORIZATION NUMBER AND PRIOR AUTHORIZATION FROM THE FACTORY. All returns must be shipped prepaid. A 15% restocking charge will be applied to all returned merchandise. Custom Products may not be returned for credit. Only current products in new and salable condition may be returned. No safety devices may be returned for credit.

Modifications: It is the policy of Hutchinson,Mayrath to improve its product whenever possible and practical to do so. We reserve the right to make changes, improvements and modifications at any time without incurring the obligation to make such changes, improvements and modifications on any equipment sold previously.

Limited Warranty: (a) For a period of (1) year after receipt of goods by the original consumer buyer, Hutchinson,Mayrath will supply free of charge replacement parts for parts that prove defective in workmanship or material. Defective parts must be returned freight prepaid to a specified Hutchinson,Mayrath location. Only Hutchinson,Mayrath original repair parts may be used for warranty repairs.

(b) This limited warranty does not extend to parts designed to wear in normal operation and be replaced periodically; or to damage caused by negligence, accident, abuse or improper installation or operation.

(c) GOODS NOT MANUFACTURED BY HUTCHINSON,MAYRATH CARRY ONLY THE MANUFACTURER'S WARRANTY.

(d) THIS UNDERTAKING IS IN LIEU OF ALL OTHER WARRANTIES, EXPRESSED OR IMPLIED, INCLUDING MERCHANTABILITY AND FITNESS FOR A PARTICULAR PURPOSE.

FAILURE TO FOLLOW THE INSTRUCTIONS CONTAINED IN THE OWNER'S & OPERATOR'S MANUALS AND THE ITEMS LISTED BELOW WILL RESULT IN THE VOIDING OF THIS LIMITED WARRANTY.

(1) Improper assembly, including failure to properly install all safety equipment.

(2) Improper installation.

(3) Unauthorized alternations of goods.

(4) Goods operated when obviously in need of repair.

(5) Use of unauthorized repair parts.

(6) Irresponsible operation.

(7) Used to handle materials other than free flowing, nonabrasive and dry materials, as intended.

(8) Damaged through abusive use or accident.

Limitation of Liability: BUYER AGREES THAT IN NO EVENT SHALL HUTCHINSON,MAYRATH HAVE LIABILITY FOR DIRECT DAMAGES IN EXCESS OF THE CONTRACT PRICE OF THE GOODS IN RESPECT OF WHICH CLAIM IS MADE. BUYER FURTHER AGREES THAT IN NO EVENT SHALL HUTCHINSON,MAYRATH ON ANY CLAIM OF ANY KIND HAVE LIABILITY FOR LOSS OF USE, LOSS OF PROFITS, OR FOR ANY INDIRECT, INCIDENTAL OR CONSEQUENTIAL DAMAGES.

PARTS LIST

The first edition of the Parts Book was released 01-2011.

The first edit was completed 01-2012 and the following pages were edited.

PB-0, PB-6, PB-9, PB-10, PB-20, PB-22, PB-29

The second edit was completed 1-2013 and the following pages were edited.'

PB-0, PB-4, PB-18, PB-20, PB-22, PB-32

PARTS LIST

SAFETY SIGNS AND DECALS

SN # 904401 to PRESENT

①

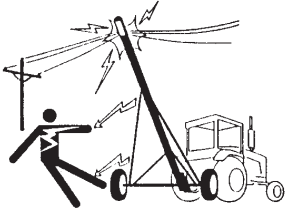
⚠ CAUTION

1. READ AND UNDERSTAND THE OPERATOR'S MANUAL BEFORE OPERATING.
2. DO NOT REMOVE OR MODIFY ANY GUARDS.
3. MAKE CERTAIN EVERYONE IS CLEAR BEFORE OPERATING OR MOVING THE MACHINE.
4. KEEP HANDS, FEET, HAIR AND CLOTHING AWAY FROM MOVING PARTS.
5. STOP MACHINE AND LOCKOUT POWER TO ADJUST, SERVICE OR CLEAN.
6. EMPTY MACHINE AND LOWER TO TRANSPORT POSITION FOR TRANSPORTING.
7. DO NOT ATTEMPT TO MOVE MACHINE MANUALLY. USE A TOWING VEHICLE.
8. KEEP CHILDREN WELL CLEAR OF WORK AREA.

1001973

②

⚠ DANGER



**BWARE OF POWER LINES
ELECTROCUTION HAZARD**


- THIS MACHINE IS NOT INSULATED.
- KEEP AT LEAST 10 FEET AWAY FROM OVERHEAD ELECTRICAL WIRES.
- ELECTROCUTION CAN OCCUR WITHOUT DIRECT CONTACT.

**FAILURE TO HEED WILL
RESULT IN SERIOUS INJURY
OR DEATH!**

1001999

③

⚠ DANGER



STOP


IF ANY GUARDS, SHIELDS OR SAFETY DECALS ARE DAMAGED OR MISSING, ORDER FREE REPLACEMENTS BY CALLING

1-800-523-6993
OR WRITE TO:
HUTCHINSON/MAYRATH
P.O. BOX 629
CLAY CENTER, KANSAS 67432

1009324

④

⚠ WARNING



- ESCAPING HYDRAULIC OIL UNDER PRESSURE WILL CAUSE SERIOUS INJURY IF IT PENETRATES THE SKIN. SEE A DOCTOR IMMEDIATELY IF INJURED.
- USE METAL OR WOOD AS A BACKSTOP WHEN SEARCHING FOR HYDRAULIC LEAKS.
- RELIEVE HYDRAULIC PRESSURE BEFORE DISCONNECTING HYDRAULIC LINES.
- FREQUENT INSPECTION AND MAINTENANCE OF THIS HYDRAULIC SYSTEM IS REQUIRED. SEE OWNER'S/ OPERATOR'S MANUAL.

**FAILURE TO HEED WILL RESULT IN
SERIOUS INJURY OR DEATH!**

1001974

⑤

⚠ DANGER



ROTATING DRIVELINE

- KEEP BODY, HAIR AND CLOTHING AWAY FROM ROTATING DRIVELINE.
- USE ONLY WITH AGRICULTURAL TRACTOR HAVING 540 RPM POWER TAKE OFF.
- KEEP ALL DRIVELINE, TRACTOR AND EQUIPMENT GUARDS IN PLACE.
- MAKE SURE DRIVELINES ARE SECURELY ATTACHED AT BOTH ENDS.
- MAKE SURE DRIVELINE SHIELDS TURN FREELY ON DRIVELINE.
- KEEP U-JOINT ANGLES SMALL AND EQUAL.
- KEEP CHILDREN WELL CLEAR OF WORK AREA.

**FAILURE TO HEED WILL RESULT IN
SERIOUS INJURY OR DEATH!**

1001988

⑥

⚠ DANGER



DO NOT ATTEMPT DISASSEMBLY BEFORE SUPPORTING THE AUGER WITH AN OVERHEAD HOIST OR OTHER SAFE, SUITABLE MEANS. THE AUGER MAY COLLAPSE WHILE LOOSENING A COMPONENT IF NOT SUPPORTED.

**FAILURE TO HEED WILL
RESULT IN SERIOUS
INJURY OR DEATH!**

1001984

SAFETY SIGNS AND DECALS

SN # 904401 to PRESENT

7

⚠ DANGER

UPENDING HAZARD

- SUPPORT DISCHARGE END OR ANCHOR INTAKE END TO PREVENT UPENDING.
- EMPTY MACHINE BEFORE MOVING.
- DO NOT PUSH THE UNDERCARRIAGE BY HAND.
- LIFT THE INTAKE END SLOWLY AND NEVER HIGHER THAN VEHICLE TOW BAR. MAINTAIN CONTROL UNTIL SECURELY ATTACHED TO TOW BAR OR RESTING ON THE GROUND.
- LOWER TO TRANSPORT POSITION IMMEDIATELY WHEN CLEAR FROM GRAIN STORAGE STRUCTURE.

FAILURE TO HEED WILL RESULT IN SERIOUS INJURY OR DEATH!

1001881

8

⚠ WARNING

- THE TRANSPORT WIDTH EXCEEDS 8' 6".
- WHEN TOWING OVER PUBLIC ROADS COMPENSATE FOR THE ADDITIONAL WIDTH.
- WATCH FOR OTHER TRAFFIC AND OBSTRUCTIONS ALONG THE ROADWAY.

FAILURE TO HEED WILL RESULT IN SERIOUS INJURY OR DEATH!

1001878

9

⚠ WARNING

WHEN RAISING AND LOWERING AUGER, KEEP HANDS, FEET AND BODY CLEAR OF LIFT ARM PINCH POINTS.

FAILURE TO HEED WILL RESULT IN SERIOUS INJURY OR DEATH!

1001878

10

⚠ DANGER

- THIS CYLINDER IS DESIGNED FOR THE SWING AWAY AUGER ONLY.
- BEFORE EACH USE INSPECT CYLINDER, LINE, HOSES AND VALVES FOR LEAKS, WEAR OR DAMAGE. REPLACE WORN OR DAMAGED PARTS IMMEDIATELY.
- ANY LOSS OF FLUID WILL ALLOW THE AUGER TO LOWER WITHOUT WARNING.
- DO NOT BLOCK CYLINDER.
- FREQUENT INSPECTION AND MAINTENANCE OF THIS HYDRAULIC SYSTEM IS REQUIRED. SEE OWNER'S/OPERATOR'S MANUAL

FAILURE TO HEED WILL RESULT IN SERIOUS INJURY OR DEATH!

1001826

11

⚠ WARNING

(FOR HYDRAULIC OR ELECTRIC WINCH OPERATION, PLEASE REFER TO THE OPERATOR'S MANUAL PROVIDED WITH UNIT.)

- AFTER LOWERING THE UNIT, ALWAYS TURN THE WINCH HANDLE CLOCKWISE UNTIL YOU HEAR AT LEAST TWO CLICKS. THIS TIGHTENS THE BRAKE LOCK.
- MAINTAIN CONTROL OF WINCH HANDLE AT ALL TIMES.
- DO NOT PUT LUBRICATION OF ANY KIND ON THE BRAKE DISC.
- CHECK CABLE BEFORE EACH USE. REPLACE IF FRAYED OR DAMAGED.
- MAINTAIN LIGHT CABLE TENSION WHEN TRANSPORTING.

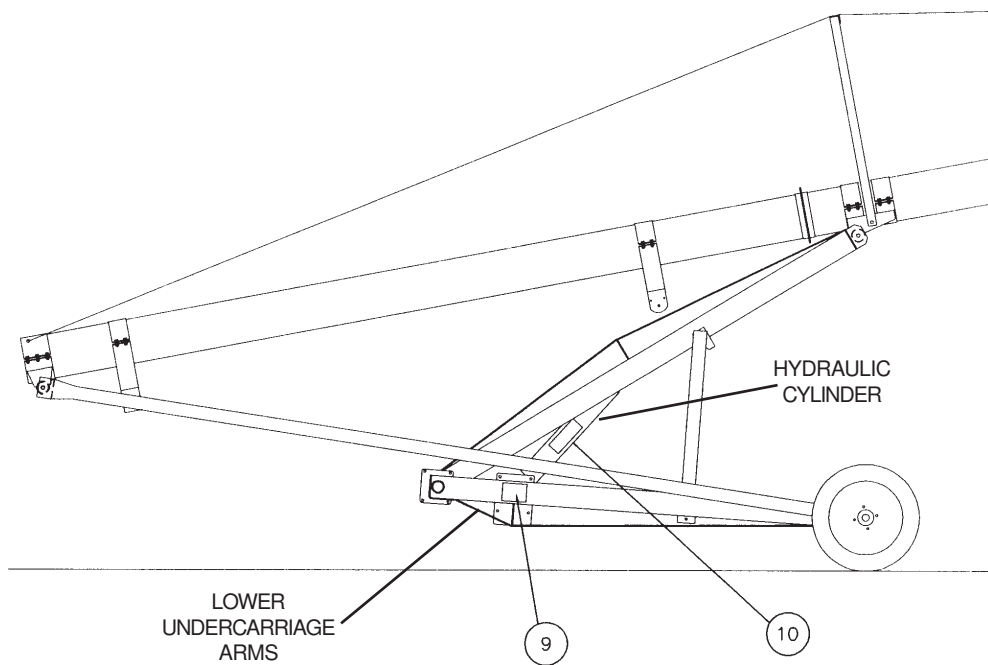
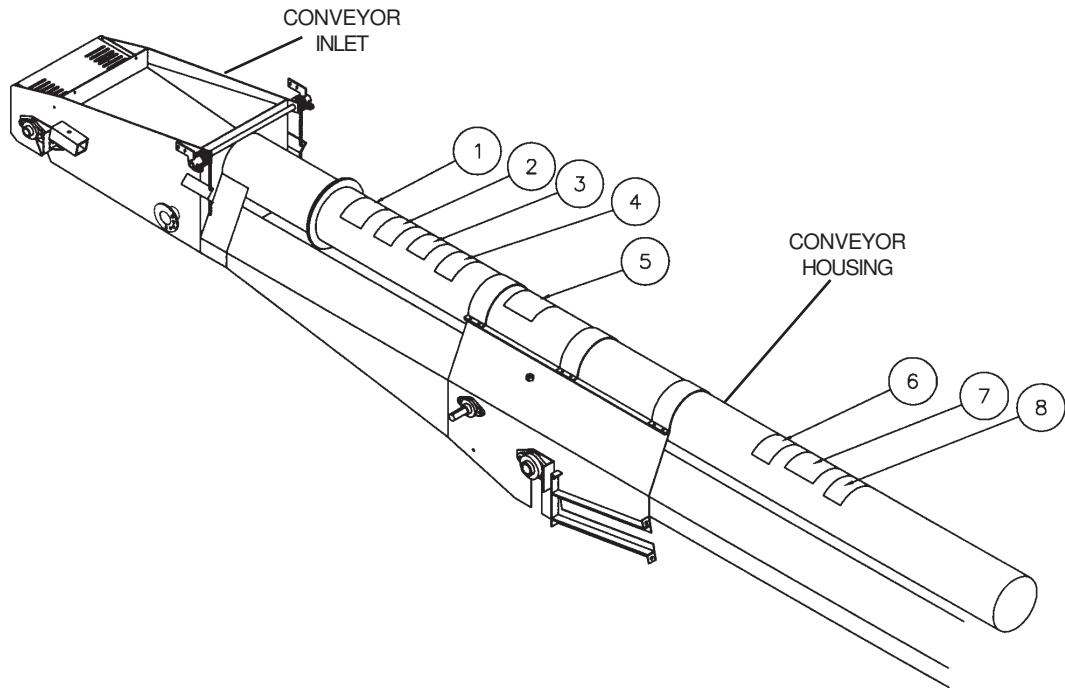
FAILURE TO HEED WILL RESULT IN SERIOUS INJURY OR DEATH!

1002091

PARTS LIST

SAFETY SIGNS AND DECALS

SN # 904401 to PRESENT



PARTS LIST

SAFETY SIGNS AND DECALS

SN # 904401 to PRESENT

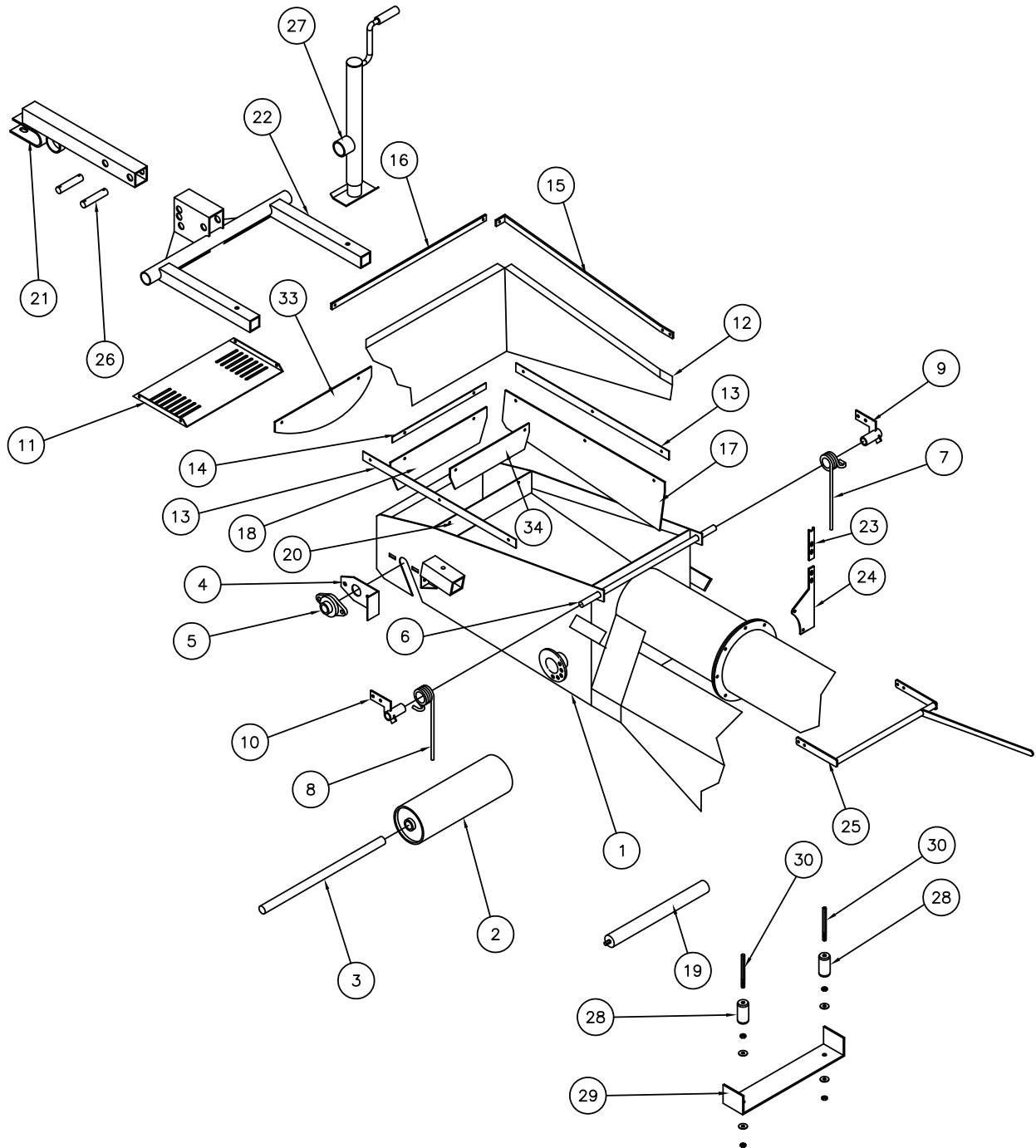
(Refer to Page P-1 and P-2)

REF. NO.	PART NO.	QTY.	DESCRIPTION	SIZE
1	1001973	1	CAUTION - GENERAL STATEMENTS 1-8 (On Main Conveyor Housing)	4-3/4" x 8"
2	1001980	1	DANGER - BEWARE OF POWER LINES (On Main Conveyor Housing)	4" x 8"
3	1005324	1	DANGER - "STOP", IF ANY GUARDS, SHIELD... (On Main Conveyor Housing)	4" x 6"
4	1001974	1	WARNING - ESCAPING HYDRAULIC OIL (On Main Conveyor Housing - 60', 70' & 85' Models only)	4" x 7-1/2"
5	1001983	1	DANGER - ROTATING DRIVELINE (One on Main Conveyor Housing)	4" x 6-1/4"
6	1001984	1	DANGER - DO NOT ATTEMPT DISASSEMBLY (On Main Conveyor Housing)	4" x 6"
7	1001981	1	DANGER - UPENDING HAZARD (On Main Conveyor Housing)	4-1/2" x 6-1/4"
8	1001975	1	WARNING - THE TRANSPORT WIDTH	4" x 6"
9	1001976	2	WARNING - PINCH POINT (One on both sides of Undercarriage Frame 60', 70" & 85' models only)	4" x 5-1/2"
10	1001926	1	DANGER - CYLINDER STATEMENT (Two on Hydraulic Cylinder Mount Tube 60', 70' & 85' models only)	4" x 8"
11	1002091	1	WARNING - MANUAL WINCH (One on side of left radius rod weldment 35' model only)	2-3/4" x 5"
--	1021179	As Req'd.	RED REFLECTIVE DECAL (On back of 60', 70' & 85' Axles and Wind Skirt reflector bracket)	2" x 9"
--	1021180	As Req'd.	YELLOW REFLECTIVE DECAL (Along sides of Conveyor Housing and Undercarriage, on forward facing brackets attached to undercarriage)	2" x 9"
--	1021181	As Req'd.	ORANGE FLUORESCENT DECAL (On back of 60', 70' & 85' Axles)	2" x 9"
	1035579		VIDEO MANUAL	
	1041833		Made in the Heart of America	

PARTS LIST

INLET ASSEMBLY COMPONENTS

SN # 904401 to PRESENT



PARTS LIST

INLET ASSEMBLY COMPONENTS

SN # 904401 to PRESENT

REF. NO	PART NO.	DESCRIPTION
1	1023769	Inlet Housing Weldment
2	1031931	Tail Pulley, 6" dia. x 18" Crown Face w/1-1/4" Bore (See assembled P/N below)
3	1032482	Shaft, Tail Pulley 1-1/4" x 24-1/4" lg. (If part # 1023773 shaft is requested
--	1031939	Items 2 & 3 Assembled replace with assembly # 1031939)
4	1023727	Bearing Push Plate
5	1029742	Bearing, 1-1/4" Bore 2-Bolt Flanged
6	1023835	Spring Pivot Pipe
7	1023399P	Hopper Spring (left hand)
8	1023398P	Hopper Spring (right hand)
9	1023834	Spring Anchor (left hand)
10	1023833	Spring Anchor (right hand)
11	1023828	Pulley Access Panel
12	1023396	Canvas Inlet Hopper
13	1023756	Tarp Retaining Strap (side)
14	1023757	Tarp Retaining Strap (end)
15	1023848	Hopper Support Bar (side) (If end skirt rubber is ordered for SN# 904401
16	1023849	Hopper Support Bar (end) to SN# 911880 also order
17	1027033	Skirt Rubber (side) Brush Flight Panel Weldment # 1027036 and
18	1027034	Skirt Rubber (end) Hold Down Panel # 1027037.)
19	1023329	Return Roller
20	1023814	Hopper End Panel (If Hitch Tube or Mount Weldment is ordered
21	1024783	Hitch Tube Weldment for SN# 904401 to 906364 replace with
22	1024777	Hitch Mount Weldment one - Hitch Tube Weldment # 1024783,
23	1024520	Skirt Latch Notched Bar one - Hitch Mount Weldment # 1024777,
24	1025159	Skirt Latch Mount Plate two - Clevis Pin # 1018291,
25	1024857	Skirt Latch Handle four - Hair Pin # D1166 and the Side Crank
26	1018291	Clevis Pin Screw Jack 2000#, 15" Travel # 1024776.)
27	1024776	Side Crank Screw Jack 2000#, 15" Travel
28	1036617	Guide Roller (Hex Bore) (If the old style Guide Roller # 1025893,
29	1026004	Roller Mount Plate Spacer Tube # 1030100, Bolt # 1026107,
30	1036711	Hex Roller Shaft Ball Bearing, 1/2" Bore # 1026002 or
--	1036730	Items 28, 29 & 30 Assembled Spacer Tube # 1013829 are requested
33	1027036	Brush Flight Panel Weldment Substitute Part Number 1037508.)
34	1027037	Hold Down Panel

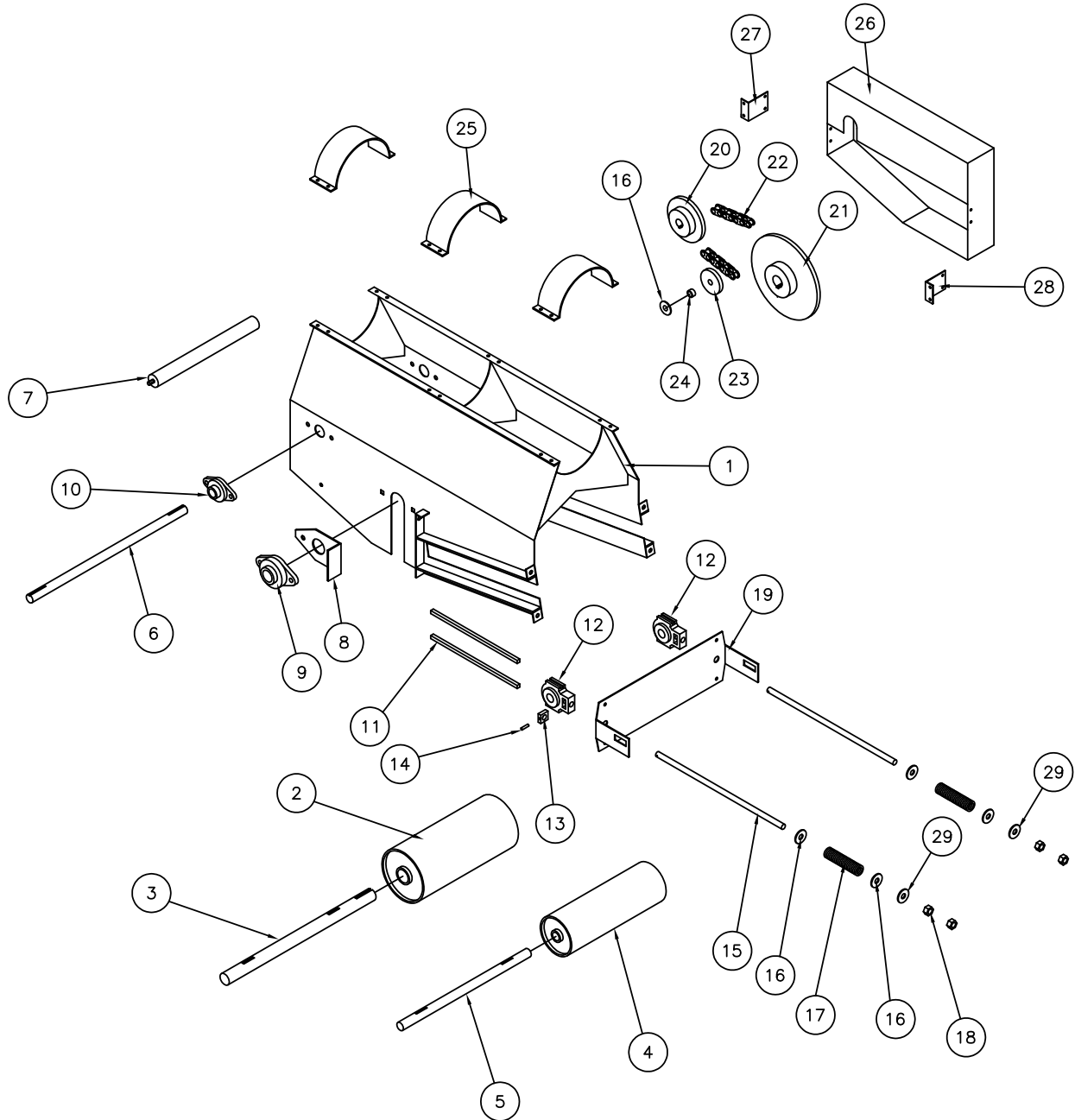
1023812R

Bottom Panel w/Knockouts (Can be used to field repair wear holes in the Inlet/ Drive frame weldment transition pan).

PARTS LIST

DRIVE ASSEMBLY COMPONENTS

SN # 904401 to PRESENT



PARTS LIST

DRIVE ASSEMBLY COMPONENTS

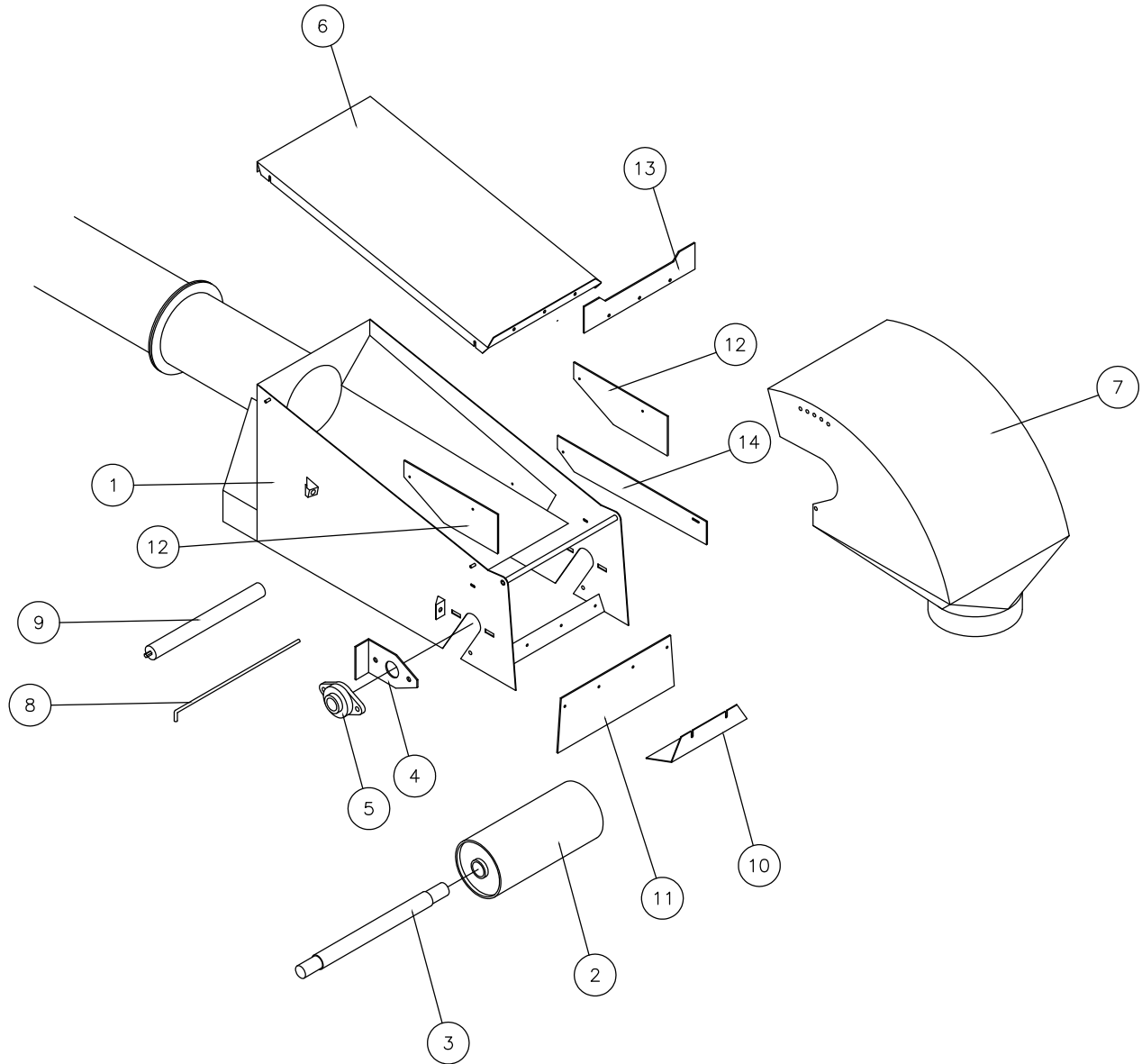
SN # 904401 to PRESENT

REF. NO	PART NO.	DESCRIPTION
1	1023705	Drive Frame Weldment
2	1031929	Pulley, 8" x 18" Crown Face w/1-3/4" Bore (lagged) (See assembled P/N below)
3	1032528	Shaft, Drive 1-3/4" x 28" lg.
4	1031928	Pulley, Take-up 6" x 18" Straight Face w/1-1/4" Bore (See assembled P/N below)
5	1032482	Shaft, Take-up 1-1/4" x 24 1/4" lg.
6	1023732	Jack Shaft, 1-1/4" x 29 1/2" lg.
7	1023329	Return Roller
8	1023728	Bearing Push Plate
9	1029744	Bearing, 1-3/4" 2-Bolt Flanged
10	1029742	Bearing, 1-1/4" 2-Bolt Flanged
11	1023716	Guide Bar
12	1029743	Bearing, 1-1/4" Take-up
13	1023736	Retainer Plate
14	33158	Roll Pin, 3/16" x 1-1/4" lg.
15	1023327	Threaded Rod, 3/4" x 24"
--	1023737	Threaded Rod Assembly (Includes Items 13 & 15)
16	33027	Washer, 3/4" Flat
17	1023328P	Spring (f/60' Models) (Painted yellow) (two required)
17	1025765P	Spring (f/70' & 85' Models) (Painted green) (two required)
18	D1152	Nut, 3/4" Hex Non-lock
19	1023717	Cross Plate
20	40329	Sprocket, 80 RC 19T w/1-1/4" Bore (roller chain drive)
20	1031096	Sprocket, Poly Chain Belt 36T x 14mm pitch (optional cogged belt drive)
21	1023325	Sprocket, 80 RC 38T w/1-3/4" Bore (roller chain drive)
21	1031095	Sprocket, Poly Chain Belt 71T x 14mm pitch (optional cogged belt drive)
22	1024196	Chain Assembly, #80 RC x 60 Pitches w/Connecting Link (roller chain drive)
22	1031098	Belt, Poly Chain 1568mm length x 14mm x 37mm wide (optional cogged belt drive)
23	40953	Idler Sprocket, 80 RC 11T w/3/4" Bore w/Bearing (roller chain drive)
23	1031097	Idler Sprocket, Poly Chain 30T w/Bearings (optional cogged belt drive)
24	553242	Idler Spacer
25	5930A1	Half Band x 4" wide
26	1023597	Chain Guard
27	1023598	Chain Guard Bracket
28	1023951	Chain Guard Bracket
29	1029957	UHMW Washer
--	1031099	Bushing, Taper Lock 2517 w/1-1/4" Bore (for Item 20 Cogged Belt)
--	1031100	Bushing, Taper Lock 3525 w/1-3/4" Bore (for Item 21 Cogged Belt)
--	1032527	Items 2 & 3 Assembled
--	1031938	Items 4 & 5 Assembled

PARTS LIST

DISCHARGE ASSEMBLY COMPONENTS

SN # 904401 to PRESENT



PARTS LIST

MAIN CONVEYOR COMPONENTS

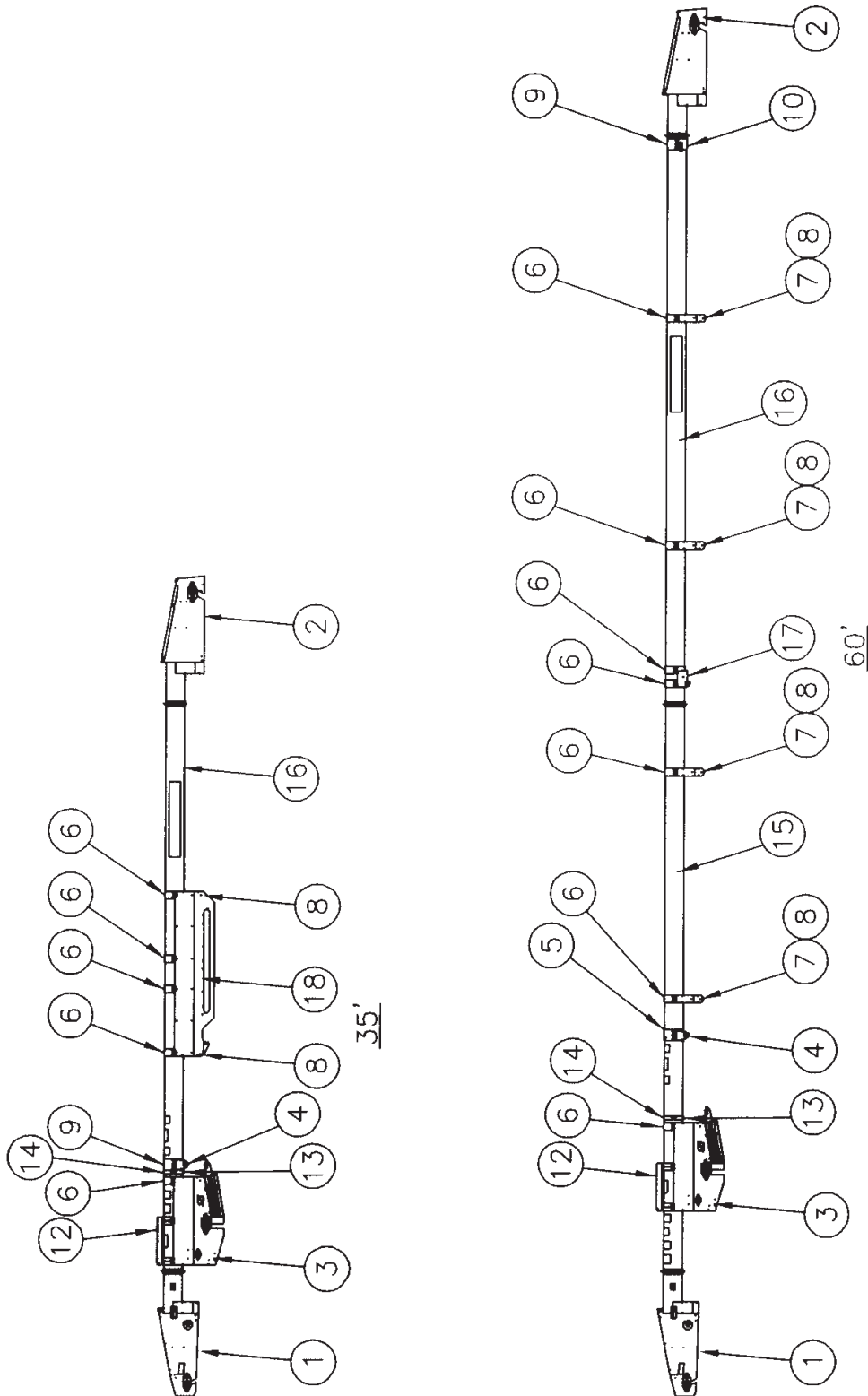
SN # 904401 to PRESENT

REF. NO	PART NO.	DESCRIPTION
1	1023770	Discharge Housing Weldment
2	1031930	Pulley, 8" dia. x 18" Crown Face w/2" Bore (See assembled P/N below) (Note: This pulley will be substituted for Part # 1023323)
3	1023735	Shaft, Head 2" x 25-5/16" lg. (Turned to 1-3/4" dia. at bearings)
4	1023728	Bearing Push Plate
5	1029744	Bearing, 1-3/4" 2-Bolt Flanged
6	1023839	Cover Panel (Note: This cover has been modified by adding a one inch lip to the discharge end which allows Part # 1026230 (item #13 to be attached) it will still work on all serial numbers. It would be suggested to order item #13 and install if the cover is being ordered for replacement.)
7	1023485	Plastic Discharge Spout
8	1023844	Discharge Spout Pin
9	1023329	Return Roller
10	1024162	Wiper Mount Bracket
		Note it be suggested to order and install item #13 if item #11 and or #12 is being ordered for replacement.
11	1023845	Rubber Belt Wiper
12	1025412	Skirt Rubber (Discharge Sides)
--	1031940	Items 2 & 3 Assembled
13	1026230	Skirt Rubber
14	1033676	Lower Side Skirt Rubber (Typical both sides) (Note: This skirt was added to improve sealing of the discharge assembly.)
	1023812R	Bottom Panel w/Knockouts (Can be used to field repair wear holes in the Inlet/ Drive frame weldment transition pan).

PARTS LIST

MAIN CONVEYOR COMPONENTS

SN # 904401 to PRESENT



PARTS LIST

MAIN CONVEYOR COMPOENTS

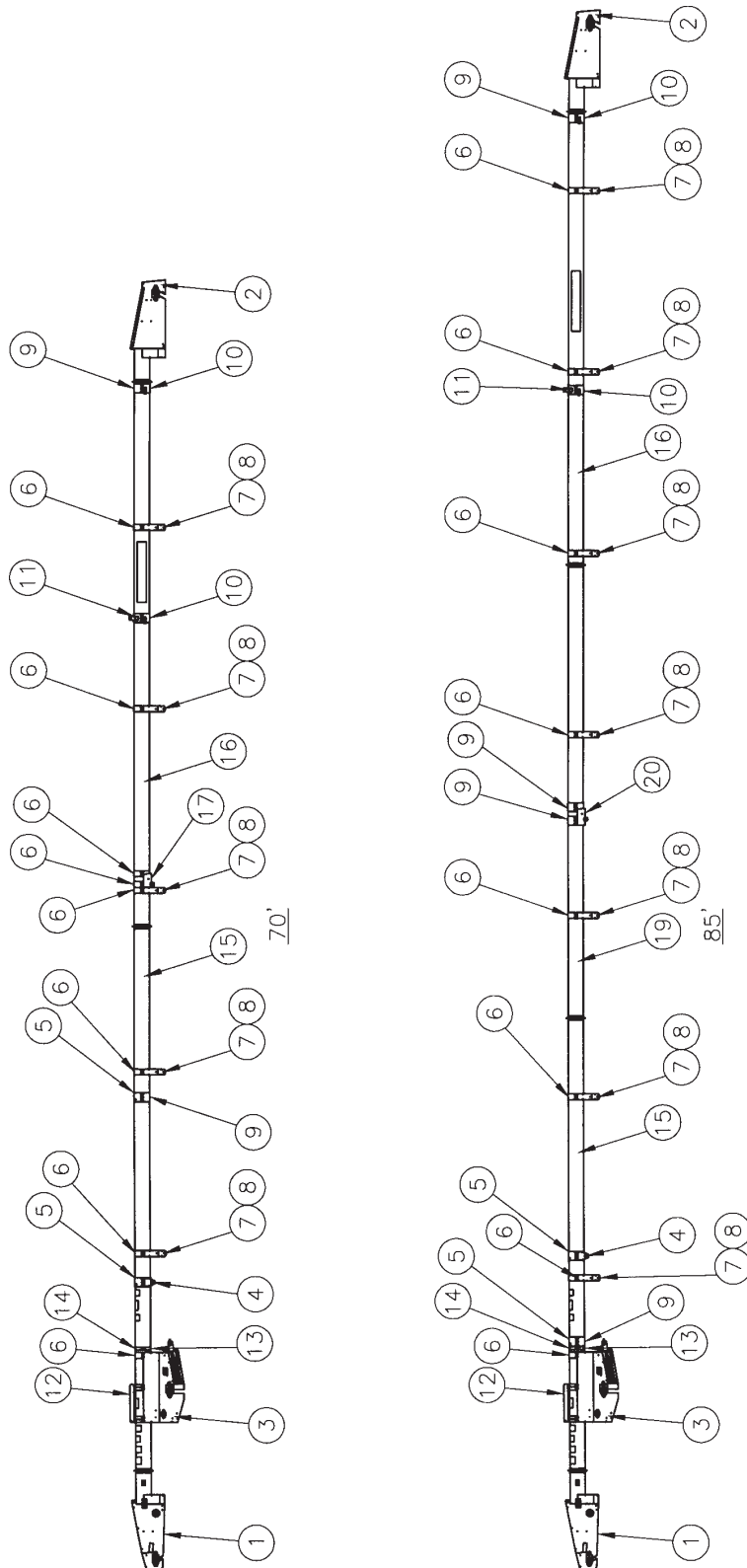
SN# 904401 to PRESENT

REF. NO	PART NO.	DESCRIPTION
1	1023771	Inlet Assembly (See Page P-5 & P-6 for Parts Breakdown)
2	1023772	Discharge Assembly (See Page P-9 & P-10 for Parts Breakdown)
3	1023718	Drive Assembly (See Page P-7 & P-8 for Parts Breakdown)
4	1023454	Lower Pivot Weldment
5	1008110	Truss Anchor Band
6	5930A1	Half Band x 4" wide
7	1025616	Return Roll Support
--	1025602	Adjusting Bracket (For return roller end) (Not Shown)
8	1023329	Return Roller, 1.9" O.D. w/Hex Shafts & Bearings
9	106207-1	Half Band x 6" wide
10	1007900	Truss Anchor Band (f/60', 70' & 85' models only)
12	1023722	Motor Mount Support (f/Electric Drive models only)
13	1003212	PTO Hanger Bracket (f/PTO Drive models only)
14	5035A1	Half Band x 2" wide (f/PTO models only)
15	--- 1024067-120	Tube Housing (Lower) (f/60' models)
16	--- 1023919-220 1023919-320 1024066-220 1024066-320	Tube Housing (Upper) (f/35' Hutch models) (f/35' Mayrath models) (f/60' Hutch models) (f/60' Mayrath models)
17	1023453	Upper Pivot Weldment (f/60' & 70' models only)
18	1023877	Support Frame Weldment (f/35' model only)

PARTS LIST

MAIN CONVEYOR COMPONENTS

SN # 904401 to PRESENT



PARTS LIST

MAIN CONVEYOR COMPONENTS

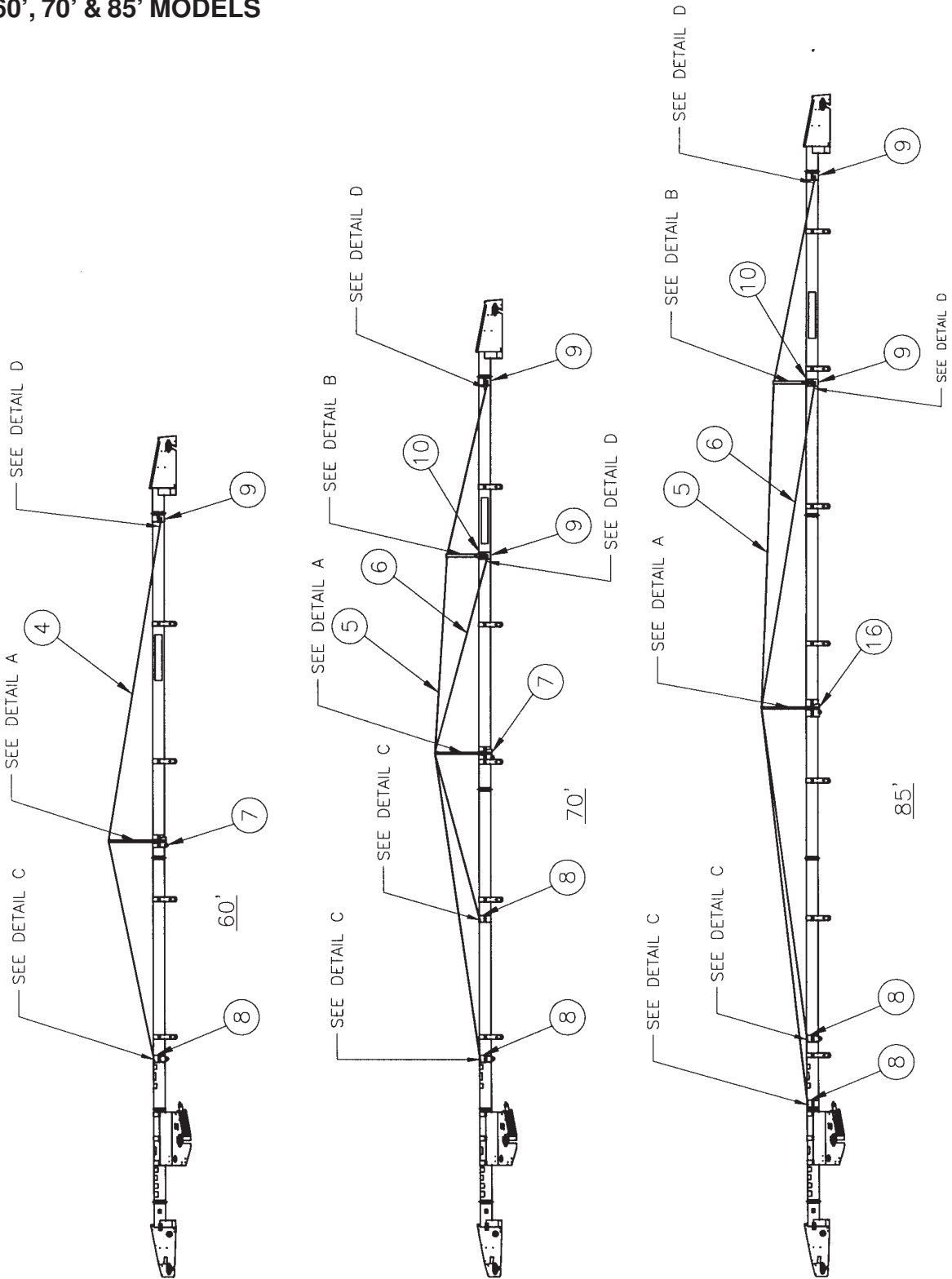
SN# 904401 to PRESENT

REF. NO	PART NO.	DESCRIPTION
1	1023771	Inlet Assembly (See Page P-5 & P-6 for Parts Breakdown)
2	1023772	Discharge Assembly (See Page P-9 & P-10 for Parts Breakdown)
3	1023718	Drive Assembly (See Page P-7 & P-8 for Parts Breakdown)
4	1023454	Lower Pivot Weldment
5	1008110	Truss Anchor Band
6	5930A1	Half Band x 4" wide
7	1025616	Return Roll Support
--	1025602	Adjusting Bracket (For return roller end) (Not Shown)
8	1023329	Return Roller, 1.9" O.D. w/Hex Shafts & Bearings
9	106207-1	Half Band x 6" wide
10	1007900	Truss Anchor Band (f/60', 70' & 85' models only)
11	1007807	Truss Mount Band (f/70' & 85' models only)
12	1023722	Motor Mount Support (f/Electric Drive models only)
13	1003212	PTO Hanger Bracket (f/PTO Drive models only)
14	5035A1	Half Band x 2" wide (f/PTO models only)
15	---	Tube Housing (Lower)
	1023859-120	(f/70' models)
	1025546-120	(f/85' models)
16	---	Tube Housing (Upper)
	1023661-220	(f/70' Hutch models)
	1023661-320	(f/70' Mayrath models)
	1024066-220	(f/85' Hutch models)
	1024066-320	(f/85' Mayrath models)
17	1023453	Upper Pivot Weldment (f/60' & 70' models only)
19	1025432-120	Tube Housing (Center) (f/85' models)
20	1025637	Upper Pivot Weldment (f/85' model only)

PARTS LIST

TRUSS COMPONENTS (60', 70' & 85' MODELS)

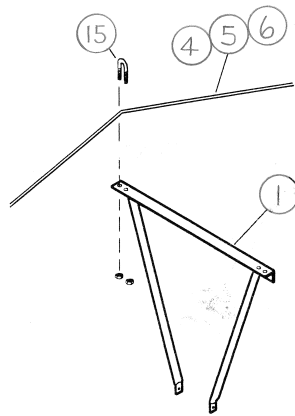
SN # 904401 to PRESENT



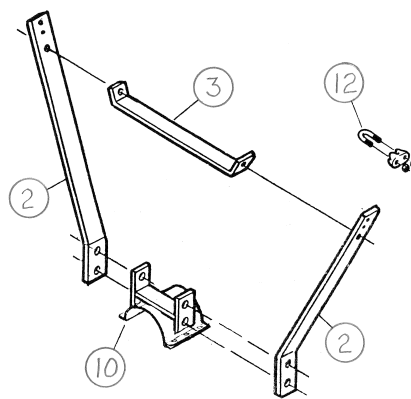
PARTS LIST

TRUSS COMPONENTS

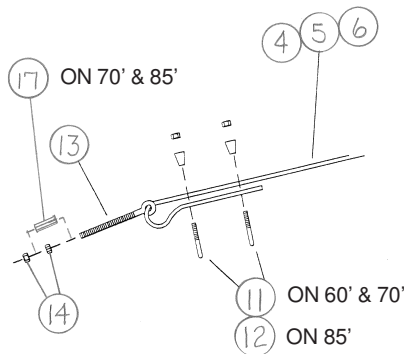
SN # 904401 to PRESENT



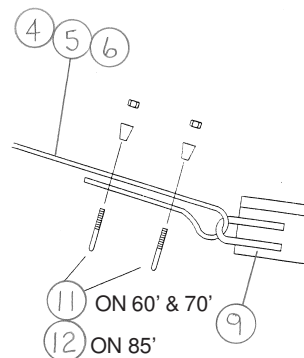
DETAIL A



DETAIL B



DETAIL C



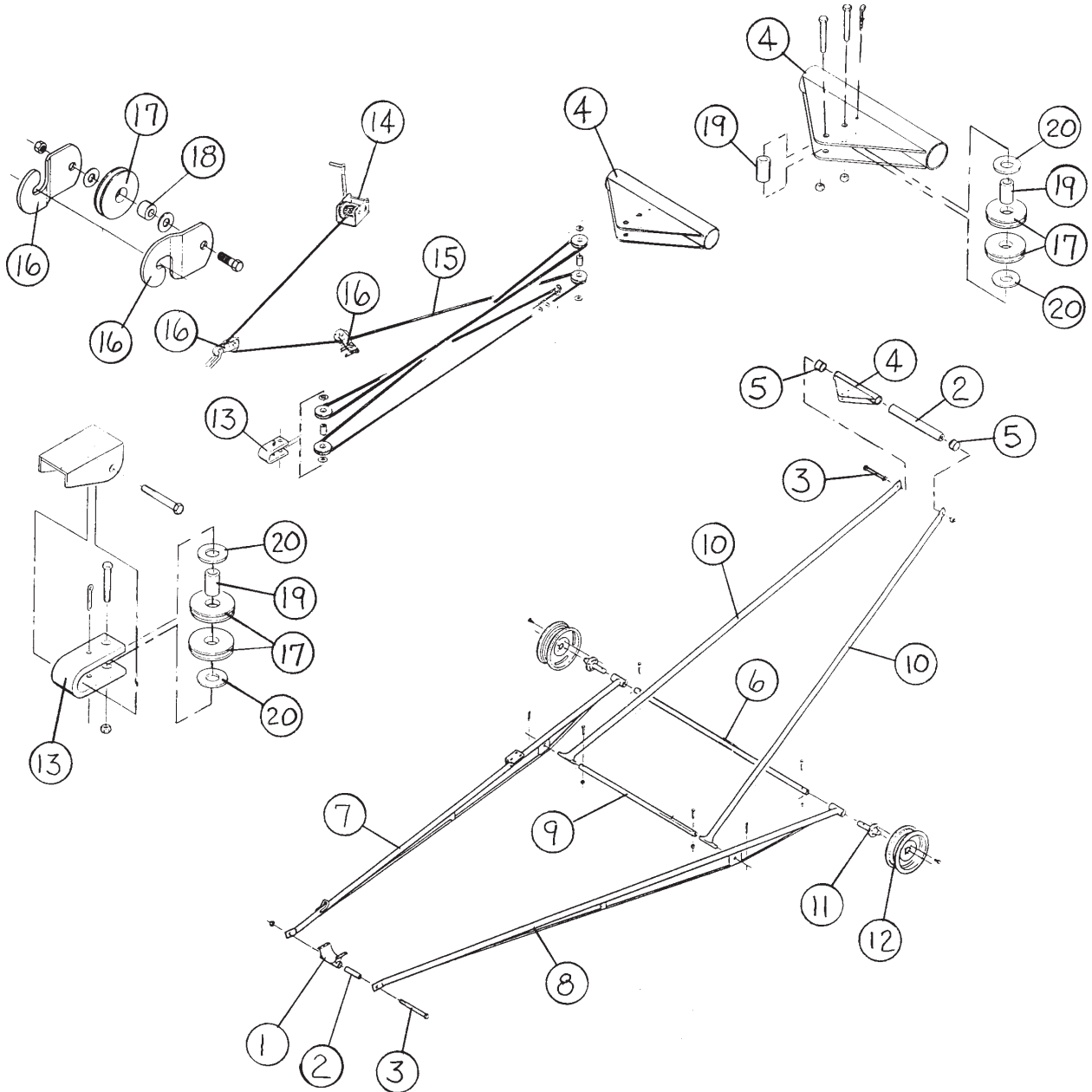
DETAIL D

REF. NO	PART NO.	DESCRIPTION
1	1023765	Truss Stand Weldment
2	106399	Truss Side Bar (f/70' & 85' models only)
3	106398	Truss Cross Brace (f/70' & 85' models only)
4	1007896	Cable, 5/16" x 43' lg. (f/60' models only)
5	1008553	Cable, 5/16" x 52' lg. (f/70' models only)
5	1025341	Cable, 3/8" x 72' lg. (f/85" models only)
6	1007892	Cable, 5/16" x 30' lg. (f/70' models only)
6	1021087	Cable, 3/8" x 52' lg. (f/85' models only)
7	1023453	Upper Pivot Weldment (60' & 70' models)
8	1008110	Truss Anchor Band
9	1007900	Truss Anchor Band
10	1007807	Truss Mount Band
11	3153A91	Cable Clamp 5/16" (f/ 60' & 70' models)
12	3010L11	Cable Clamp 3/8" (f/70' & 85' models)
13	866015-1	Eyebolt 5/8" x 11" lg.
14	D1170	Nut Non-lock 5/8"
15	4841	3/8" U-Bolt (f/60', 70' & 85' models)
16	1025637	Upper Pivot Weldment (85' models)
17	1035357	Coupling Nut 5/8 - 11 (used on eyebolt of 70' & 85' in place of one item 14)

PARTS LIST

UNDERCARRIAGE COMPONENTS
FOR 35' MODEL

SN # 904401 to PRESENT



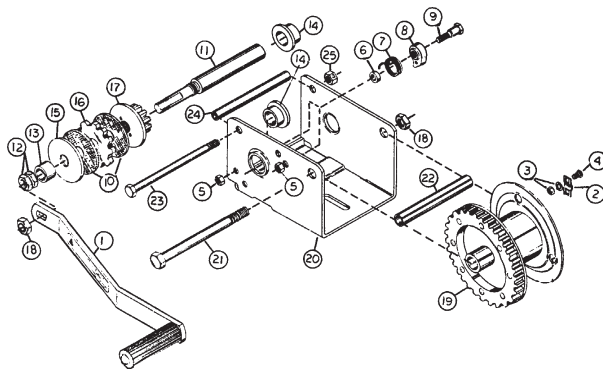
PARTS LIST

UNDERCARRIAGE COMPONENTS FOR 35' MODEL

SN # 904401 to PRESENT

REF. NO	PART NO.	DESCRIPTION
1	1023454	Lower Pivot Weldment
2	1023458	Spacer Tube
3	1023852	Pivot Bolt, 1" x 24"
4	1023894	Pulley Clevis Mount
5	1024036	Roller Tube
6	1006100	Axle Tube
7	1023898	Radius Rod Weldment (left)
8	1023899	Radius Rod Weldment (right)
9	1023904	Cross Pipe for Axle Leg
10	1023902	Axle Leg Weldment
11	1001563	Spindle & Hub Assembly 4-Bolt (See Page P-24 for parts)
12	6393D	Wheel Rim (15" x 4.5 4-Bolt)
	1012040	Tire 15" 225 8Ply
	1029082	Tire and Wheel Assembly (Includes 6393D & 1012040)
13	1007754	Pulley Clevis
14	3335A11	Winch K-1550
15	1002572	Cable, 1/4" x 40'
16	1007890	Pulley Strap
17	1008195	Cable Pulley, 1/4" x 3" O.D.
18	1008197	Cable Pulley Bushing (5/8" long)
19	1007713	Cable Pulley Bushing (1 9/16" long)
20	1007757	Washer, 2-1/8" O.D. x 1-1/8" I.D. x 10 ga.

WINCH - BRAKE TYPE f/ 35' UNDERCARRIAGE (Ref. Item 14 above)



NOTE: Repair parts for winch can also be purchased directly from:
Fulton Manufacturing Corp.
P.O. Box 19903
Milwaukee, WI 53219
715-693-1700

FULTON MODEL K1550 WINCH USED ON 35' MODEL COMPLETE PART NO. 3335A11

REF. NO.	DESCRIPTION	HUTCHINSON/ MAYRATH PART NO.	FULTON PART NO.
1	Handle Assembly	41595	2461S01
2	Cable Clamp		
3	Lock Washer & Nut	Cable Keeper Kit 41600	Cable Keeper Kit 5621S01
4	Carriage Bolt		
5	Lock Nut 5/16" - 18 Hex		
6	Ratchet Spacer	Ratchet Kit	Ratchet Kit
7	Ratchet Spring	40836	6730S00
8	Ratchet Pawl		
9	Hex Head Shoulder Bolt 5/16" - 18		
10	Brake Disc Kit	41596	1558S00
11	Input Shaft		
12	Lock Nut 1/2" - 13 Hex		
13	Spacer	Input Shaft Kit	Input Shaft Kit
14	Bushing		
15	Shaft Brake Disc	41597	1563S01
16	Ratchet Gear		
17	Pinion & Disc Assembly		
18	Hex Lock Nut 1/2"-13	*	*
19	Drum Assembly	**	**
20	Frame	**	**
21	Hex Head Capscrew 1/2" - 13 - 5 3/4"	*	*
22	Drum Spacer	**	**
23	Hex Head Capscrew 3/8" - 16 - 5 3/4"	*	*
24	Frame Spacer	**	**
25	Hex Lock Nut 3/8" - 18	*	*
26	Handle Label	2169A1	**

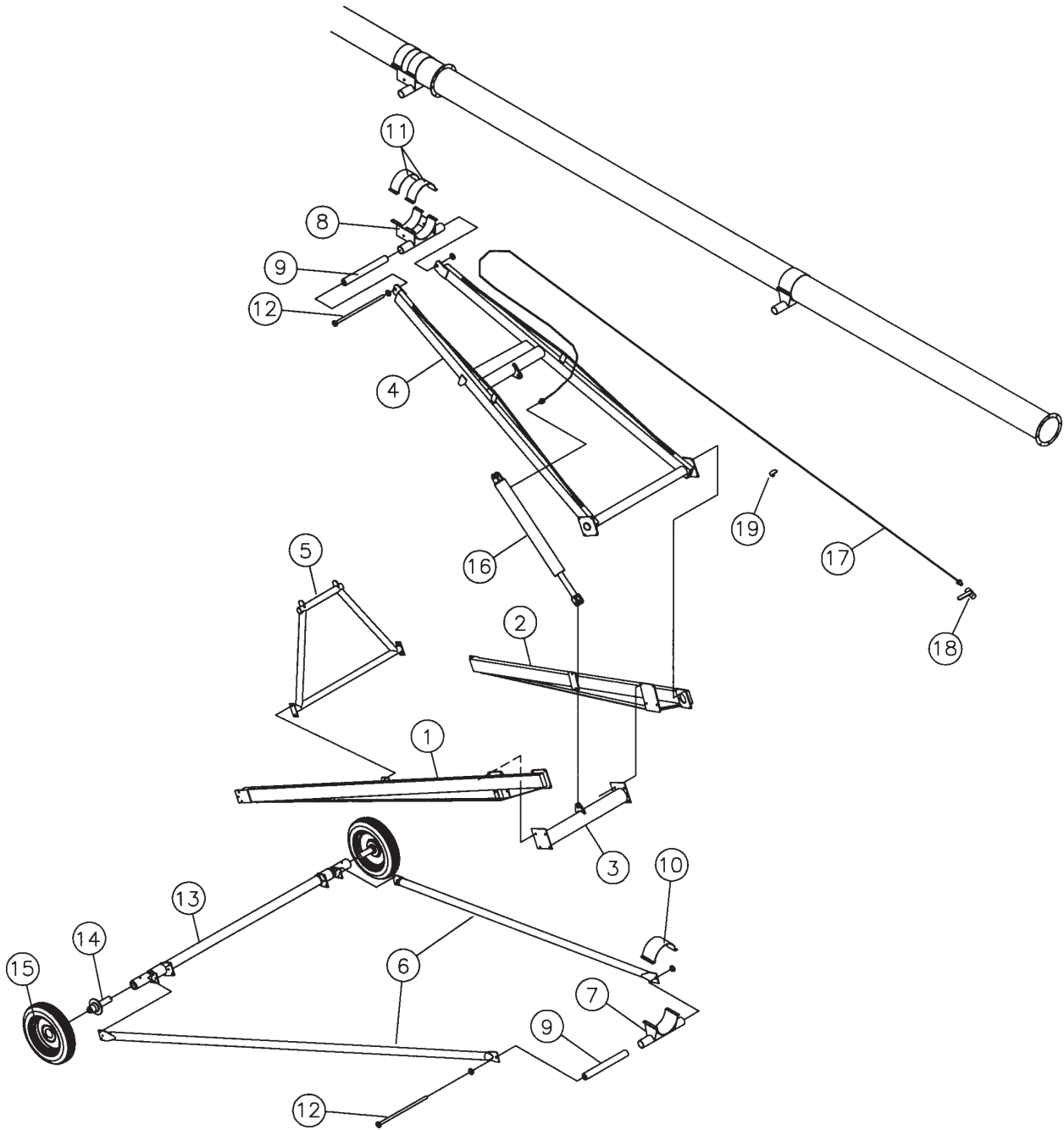
*Indicates standard hardware items - purchase locally.

**These items are not available as separate parts because of the precision assembly required. If these parts require replacement, a new winch unit is recommended.

PARTS LIST

UNDERCARRIAGE & HYDRAULIC LIFT
COMPONENTS FOR 60' & 70' MODELS

SN # 904401 to PRESENT



PARTS LIST

UNDERCARRIAGE AND HYDRAULIC LIFT COMPONENTS 60' & 70' MODELS

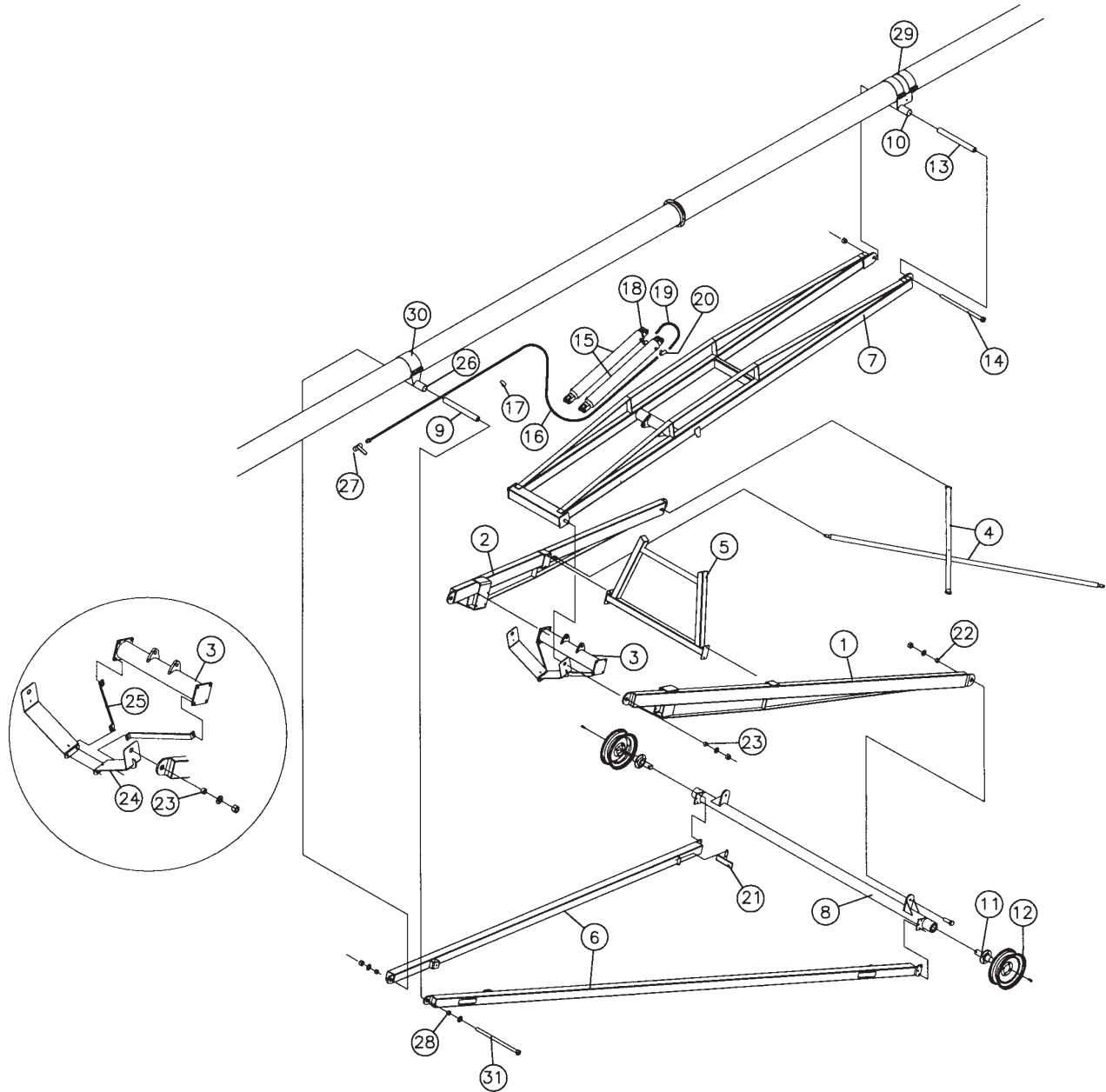
SN # 904401 to PRESENT

REF. NO	PART NO.	DESCRIPTION
1	---	Lower Arm Weldment (left)
	1023478	f/60'
	1023623	f/70'
2	---	Lower Arm Weldment (right)
	1023443	f/60'
	1023622	f/70'
3	---	Cylinder Mount Weldment
	1023449	f/60'
	1023624	f/70'
4	---	Upper Arm Weldment
	1023461	f/60'
	1023621	f/70'
5	---	Support Stand Weldment
	1024016	f/60'
	1023625	f/70'
6	---	Radius Arm
	1023475	f/60'
	1023628	f/70'
7	1023454	Lower Pivot Weldment
8	1023453	Upper Pivot Weldment (60' & 70' Models)
8	1025637	Upper Pivot Weldment (85' Models)
9	1023458	Spacer Tube
10	1008110	Truss Anchor Band (10" x 6" long)
11	5930A1	Half Band (10" x 4" long)
12	1023852	Pivot Bolt 1" x 24"
13	---	Axle Tube
	1003963	f/60'
	1003788	f/70'
14	---	Spindle & Hub Assembly (See Page P-28 for parts)
	1001563	f/60' (4-bolt)
	1003104	f/70' (5-bolt)
15	---	Wheel Rim"
	6393D	f/60' (15" x 4.5" - 4 bolt)
	1012040	Tire 15" 225 8Ply
	1029082	Tire and Wheel Assembly (Includes 6393D & 1012040)
	107225	f/70' (15" x 6" - 5 bolt)
	1012040	Tire 15" 225 8Ply
	1014234	Tire and Wheel Assembly (Includes 107225 & 1012040)
16	---	Hydraulic Cylinder (See Page P-30 for parts)
	1004368-1	f/60' (4" x 24" stroke)
	1004369-1	f/70' (4" x 36" stroke)
17	---	Hydraulic Hose
	1010833	f/60' (3/8" x 43'-6" long)
	1024076	f/70' (3/8" x 48'-6" long)
18	1005886	Hydraulic Shut-off Valve
19	1006324	Hydraulic Hose Clamp
	1030440	Hydraulic Elbow Fitting (For upper cylinder port)

PARTS LIST

UNDERCARRIAGE & HYDRAULIC LIFT
COMPONENTS FOR 85' MODELS

SN # 904401 to PRESENT



PARTS LIST

UNDERCARRIAGE & HYDRAULIC LIFT COMPONENTS FOR 85' MODELS

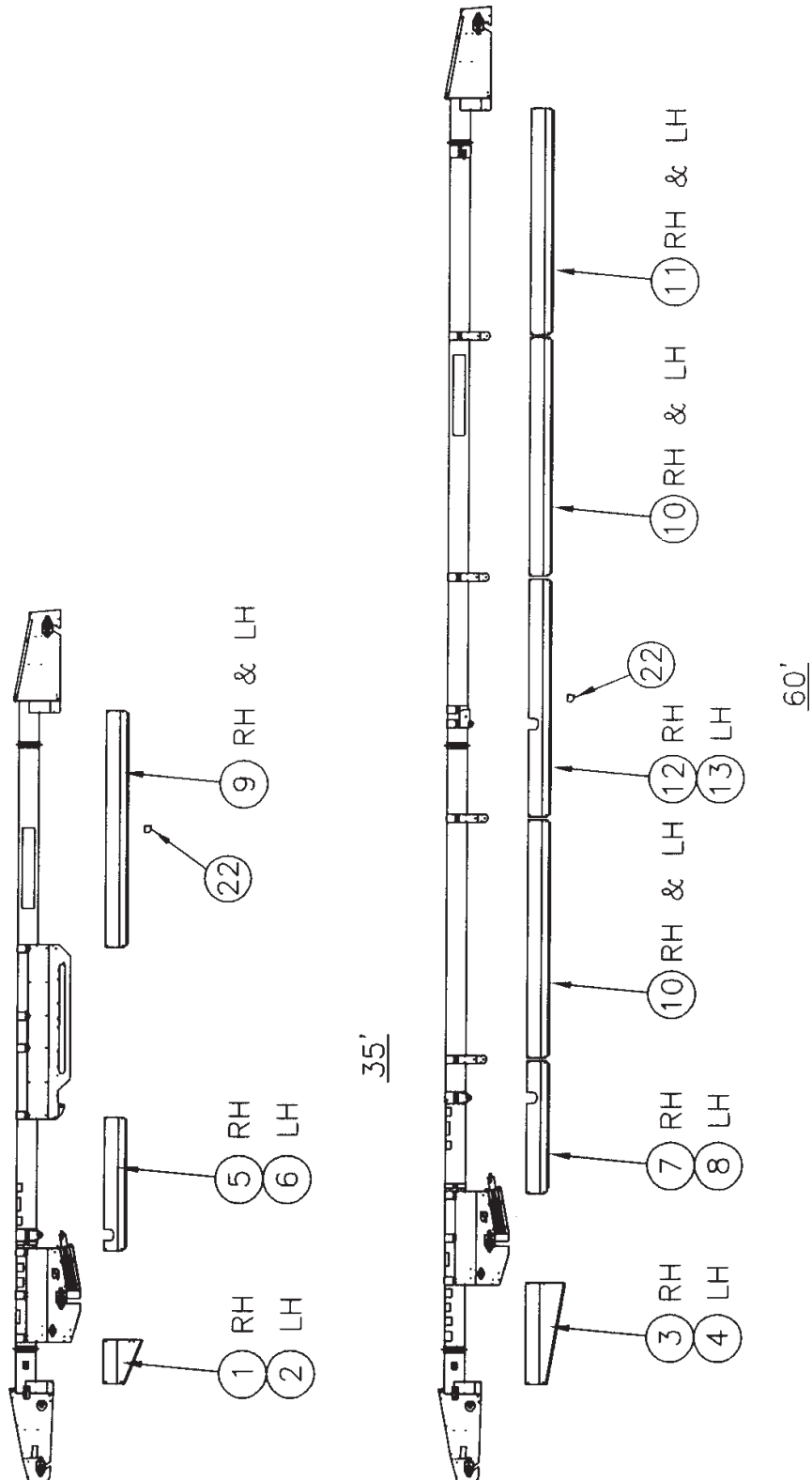
SN # 904401 to PRESENT

REF. NO	PART NO.	DESCRIPTION
1	1025528	Right Hand Arm Weldment
2	1025529	Left Hand Arm Weldment
3	1025531	Cylinder Mount Tube
4	1028229	Cross Brace Lower Frame
5	1025530	Support Stand
6	1024598	Lower Arm Tube
7	1025421	Upper Lift Frame
8	1025172	Axle Tube
9	1023458	Spacer Tube Lower Pivot
10	1025637	Upper Pivot Weldment
11	1003104	Hub/Spindle Assembly
12	107225	Wheels (15" x 6" - 5 bolt)
	1012040	Tire 15" 225 8Ply
	1014234	Tire and Wheel Assembly (Includes 107225 & 1012040)
13	1025527	Pivot Spacer Weldment Upper
14	1025392	Upper Carriage Mount Bolt 1-1/4" x 24"
15	1004368-1	Hydraulic Cylinder 4" Bore x 24"
16	1010833	Hydraulic Hose 3/8" x 43'-6"
17	1006324	Hydraulic Mounting Clamp
18	1030440	90 Deg. Elbow Fitting (3/4" O-Ring to 1/2" pipe)
19	1010462	Hydraulic Hose 3/8" x 1'-6"
20	1004732	Hydraulic 1/2" Tee Fitting
21	1025415	Reflector Plate Assembly
22	1025533	Pivot Bushing 1 5/8" O.D. x 11/16" long
23	1025566	Bushing 1-5/8" O.D. x 15/16" long
24	1025561	Lower Pivot Bracket
25	1025573	Lower Pivot X-Brace
26	1023454	Radius Arm Pivot Weldment
27	1005886	Shut-Off Valve
28	1025441	Bushing 1-1/2" O.D. x 9/16" long
29	106207-1	Half Clamp .1875 x 6 Plain
30	1008110	Truss Anchor Band
31	1023852	Pivot Bolt 1" x 24"
	1027817	Hydraulic Adapter Fitting (3/4" O-Ring to 1/2" pipe; For adapting item # 20 to the cylinder)

PARTS LIST

WIND GUARD COMPONENTS 35' & 60' MODELS

SN # 904401 to PRESENT



PARTS LIST

WIND GUARD COMPONENTS

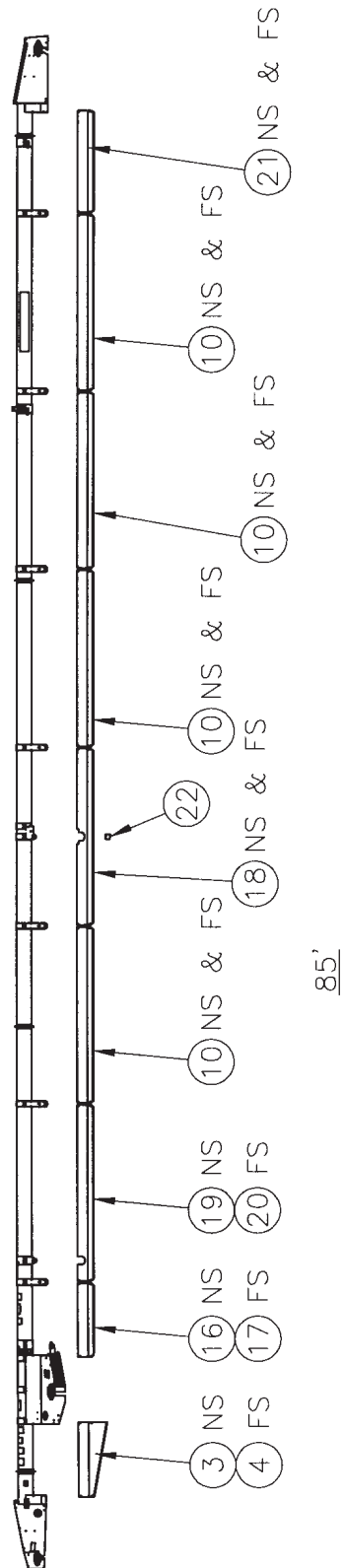
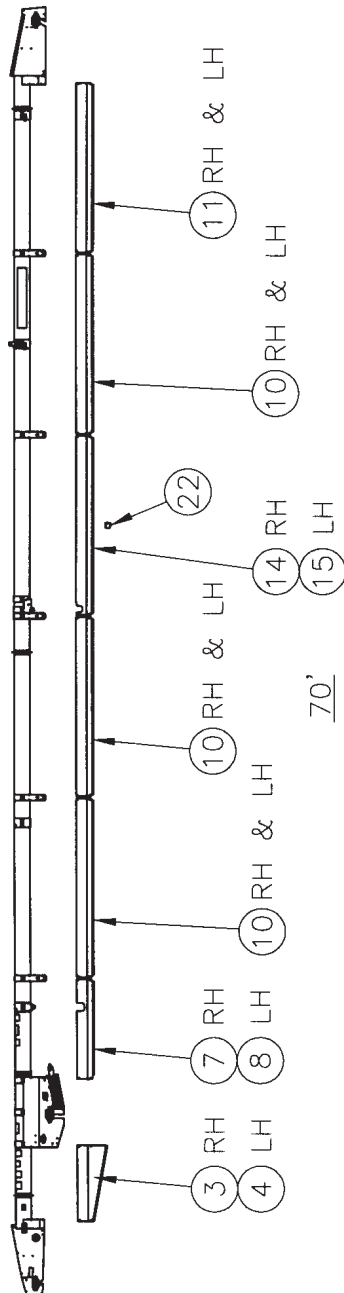
SN# 904401 to PRESENT

REF. NO	PART NO.	DESCRIPTION
1	1023929	Wind Guard Panel x 21-3/4" lg. f/35' Model (right side)
2	1023928	Wind Guard Panel x 21-3/4" lg. f/35' Model (left side)
3	1023747	Wind Guard Panel x 50-3/8" lg. f/60', 70' & 85' Model (right side)
4	1023746	Wind Guard Panel x 50-3/8" lg. f/60', 70' & 85' Models (left side)
5	1023939	Wind Guard Panel x 66-1/4" lg. f/35' Model (right side)
6	1023938	Wind Guard Panel x 66-1/4" lg. f/35' Model (left side)
7	1023749	Wind Guard Panel x 65-7/8" lg. f/60' & 70' Models (right side)
8	1023748	Wind Guard Panel x 65-7/8" lg. f/60' & 70' Models (left side)
9	1023930	Wind Guard Panel x 117-3/4" lg. f/35' Model (used both sides)
10	1023750	Wind Guard Panel x 118-1/2" lg. f/60', 70' & 85' Models (used both sides)
11	1023751	Wind Guard Panel x 112-1/2" lg. f/60' & 70' Models (used both sides)
12	1023753	Wind Guard Panel w/Notch x 118-1/2" lg. f/60' Model (right side)
13	1023752	Wind Guard Panel w/Notch x 118-1/2" lg. f/60' Model (left side)
22	1025462	Mounting Bracket w/Red Reflector Decal

PARTS LIST

WIND GUARD COMPONENTS 70' & 85' MODELS

SN # 904401 to PRESENT

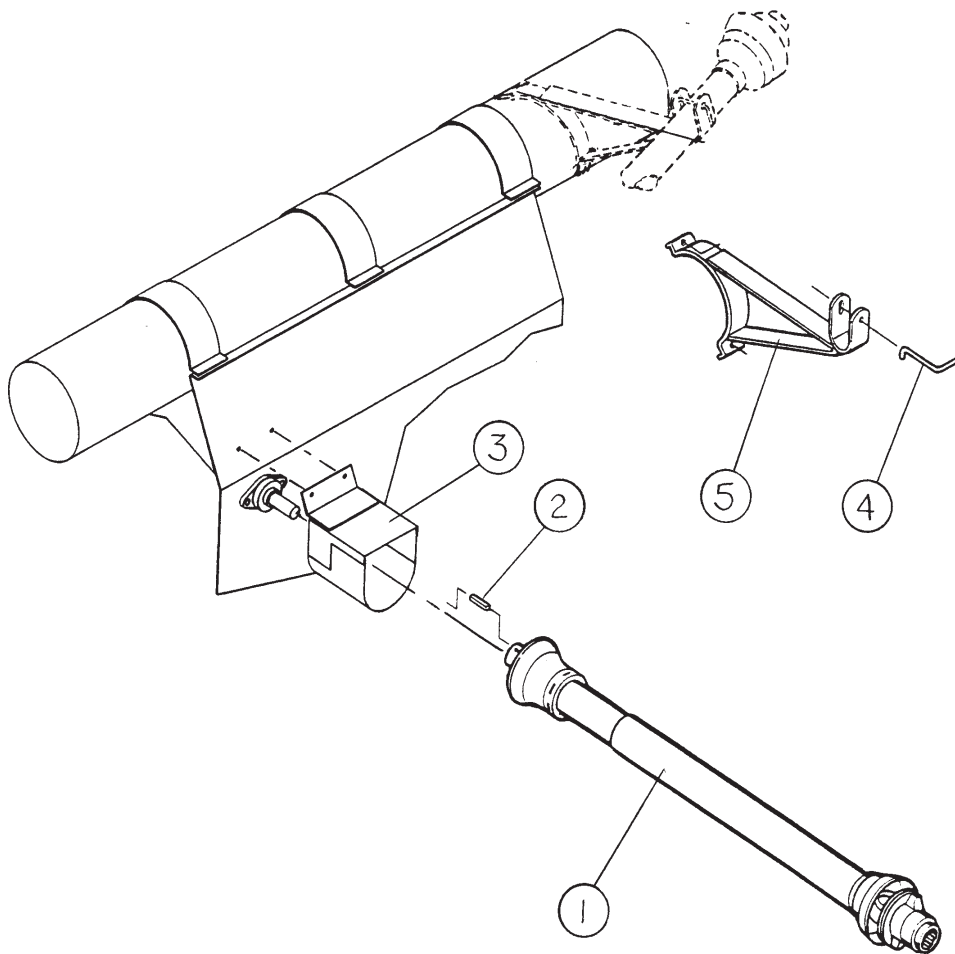


PARTS LIST

WIND GUARD COMPONENTS

SN # 904401 to PRESENT

REF. NO	PART NO.	DESCRIPTION
3	1023747	Wind Guard Panel x 50-3/8" lg. f/60', 70' & 85' Model (right side)
4	1023746	Wind Guard Panel x 50-3/8" lg. f/60', 70' & 85' Models (left side)
7	1023749	Wind Guard Panel x 65-7/8" lg. f/60' & 70' Models (right side)
8	1023748	Wind Guard Panel x 65-7/8" lg. f/60' & 70' Models (left side)
10	1023750	Wind Guard Panel x 118-1/2" lg. f/60', 70' & 85' Models (used both sides)
11	1023751	Wind Guard Panel x 112-1/2" lg f/60' & 70' Models (used both sides)
14	1023755	Wind Guard Panel w/Notch x 118-1/2" lg. f/70' Model (right side)
15	1023754	Wind Guard Panel w/Notch x 118-1/2" lg. f/70' Model (left side)
16	1025538	Wind Guard Panel x 49-11/16" lg. f/85' Model (right side)
17	1025539	Wind Guard Panel x 49-11/16" lg. f/85' Model (left side)
18	1025534	Wind Guard Panel x 118-1/2" lg. f/85' Model (used both sides)
19	1025535	Wind Guard Panel x 118-1/2" lg. f/85' Model (right side)
20	1025536	Wind Guard Panel x 118-1/2" lg. f/85' Model (left side)
21	1025543	Wind Guard Panel x 68-11/16" lg. f/85' Model (used both sides)
22	1025462	Mounting Bracket w/Red Reflector Decal

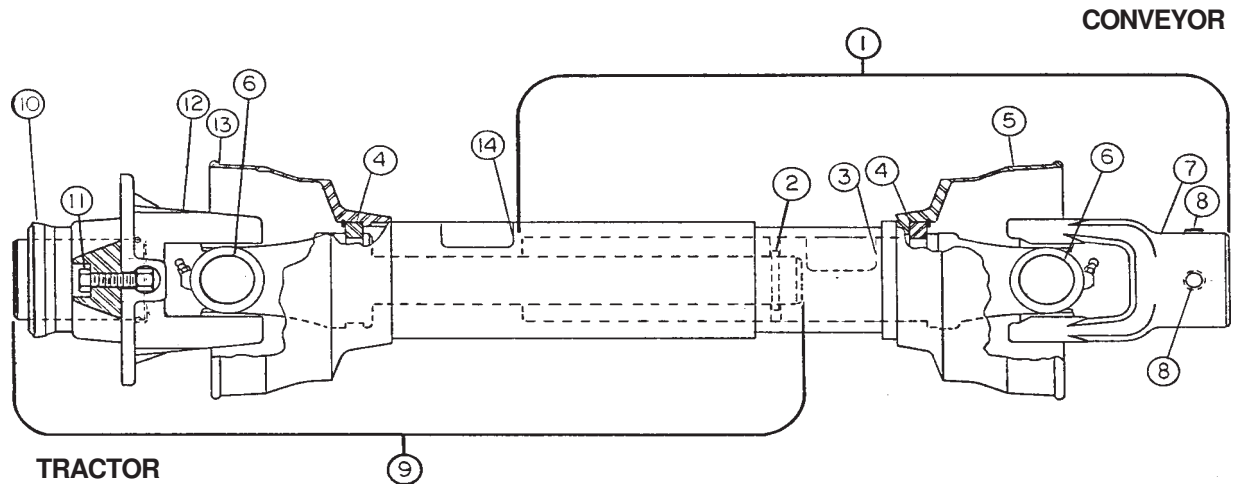
PARTS LIST**PTO DRIVE COMPONENTS****SN # 904401 to PRESENT**

REF. NO	PART NO.	DESCRIPTION
1	1002172	PTO Driveline (See Page P-29 for parts breakdown)
2	8371C	Key 1/4" x 1-1/2" long
3	1023983	PTO Driveline Shield
4	3338A1	Transport Keeper Pin
5	1003212	PTO Driveline Transport Bracket
6	5035A1	Half Band x 2" wide (for Item 5)

PARTS LIST

**CONVEYOR PTO COMPONENTS
MANUFACTURED BY WEASLER**

SN # 904401 to PRESENT



NOTE: Repair parts for PTO drivelines can also be purchased directly from:

**Weasler Engineering, Inc.
P.O. Box 558
West Bend, WI 53095**

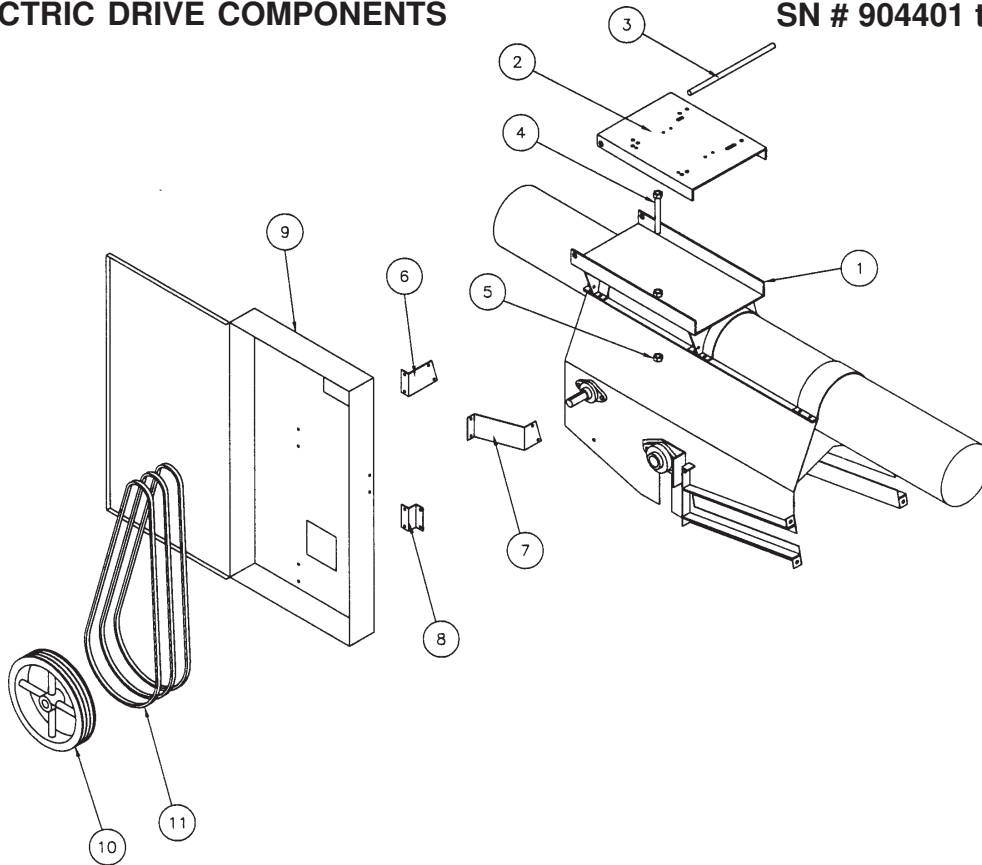
**U-JOINT TYPE - 14R
AUGER END 1 1/4" BORE
WITH 1/4" KEYSEAT
TRACTOR END 1 3/8 - 6B SPLINE
WITH SHEAR BOLT**

REF. NO	DESCRIPTION	HUTCHINSON/ MAYRATH PART NO.	WEASLER PART NO.
--	PTO Driveline Complete	1002172	232-16106
1	Joint & Tube Half Assembly with Guard (Conveyor End)	1015285	92-16106
2	Roll Pin 1/4" x 1" long	1003691	11-10454
3	Inner Safety Sign	13-10022	13-10022
4	Shield Nylon Bearing Kit	1010565	19-11104
5	Inner Guard (Includes Ref. No. 4)	1006478	96-16106
6	U-Joint Cross Repair Kit	40524	03-10134
7	End Yoke	1003683	14011-1117
8	.375 - 16 x .38 long Setscrew	33170	11-10215
9	Joint & Shaft Half Assembly with Guard (Tractor End)	1015286	93-16106
10	Spring Lock Flange Repair Kit	1003674	26-10133
11	Shear Bolt & Nut Kit (See Note)	1004778	--
12	Yoke & Ball Shear Assembly	1006480	26-11670
13	Outer Guard (Includes Ref. No. 4)	1006481	97-16106
14	Outer Safety Sign	13-10021	13-10021

Note: Shear Bolt Kit includes (6) 5/16" - 18 x 1" long Grade 5 hex bolts and locknuts.

PARTS LIST**ELECTRIC DRIVE COMPONENTS**

SN # 904401 to PRESENT



REF. NO	PART NO.	DESCRIPTION
1	1023722	Motor Mount Support
2	1022138	Motor Mount Plate
3	1022188	Pivot Pin
4	1022381	Adjusting Bolt (for 60', 70' & 85' Models)
5	D1152	Nut, 3/4" Hex Non-lock
6	1023587	Belt Guard Bracket
7	1023586	Belt Guard Bracket
8	1023588	Belt Guard Bracket
9	1023585	Belt Guard Weldment
10	40161	Sheave, 3-Groove "B" Section x 15" O.D. w/1 1/4" Bore (for 60', 70' & 85' Models)

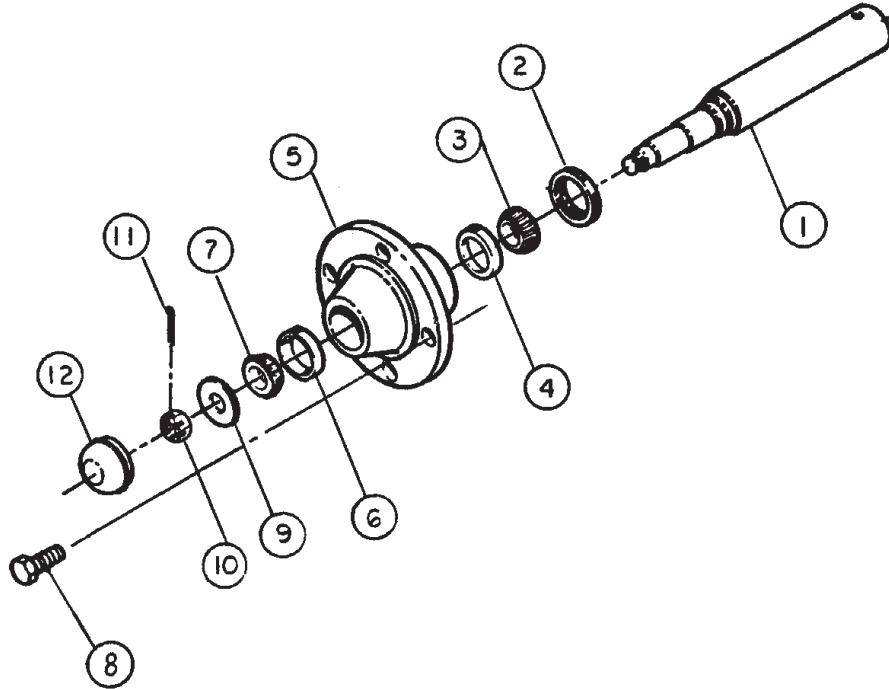
Note: Using the 4.8" P.D. motor sheave with the 15" O.D. Driven sheave will provide a drive drum speed of 289 RPM and a belt speed of 643 PRM. (Based on 60 HZ, 1750 RPM motor)

11	40131	Belt B-90 (3 Req'd on 60', 70' & 85' Models)
--	1002800	Motor Sheave 3B 4.8" P.D. (For 60 Hz, 1750 RPM motors)
--	3267A1	Motor Sheave 3B 5.6" P.D. (For 50 Hz, 1450 RPM motors)
--	3089A1	Bushing QD SD 1.625" (f/Motor Sheave)

PARTS LIST

SPINDLE & HUB ASSEMBLIES

SN # 904401 to PRESENT



REF.	DESCRIPTION	4-BOLT	5-BOLT
		(2-1/16" x 10") f/35' & 60'	(2-3/8" x 14") f/70' & 85'
--	Spindle & Hub Assy.	1001563	1003104
1	Spindle	1001002	1001004
2	Grease Seal	106245	107233
3	Inner Cone (Timken No.)	3079R1 (LM67048)	3078R1 (LM48548)
4	Inner Cup	3148R1	3147R1
5	Hub	**90174	*1006987
6	Outer Cup (Timken No.)	40552 (LM11910)	3148R1 (LM67010)
7	Outer Cone (Timken No.)	40551 (LM11949)	3079R1 (LM67048)
8	Lug Bolt	106241	--
8	Lug Nut	--	107235
9	Washer	106252	107229
10	Slotted Hex Nut	106250 (5/8")	6360C (3/4")
11	Cotter Pin	D1146 (5/32" x 1-1/4")	107230 (5/32" x 1-3/4")
12	Hub Cap	106244	107234

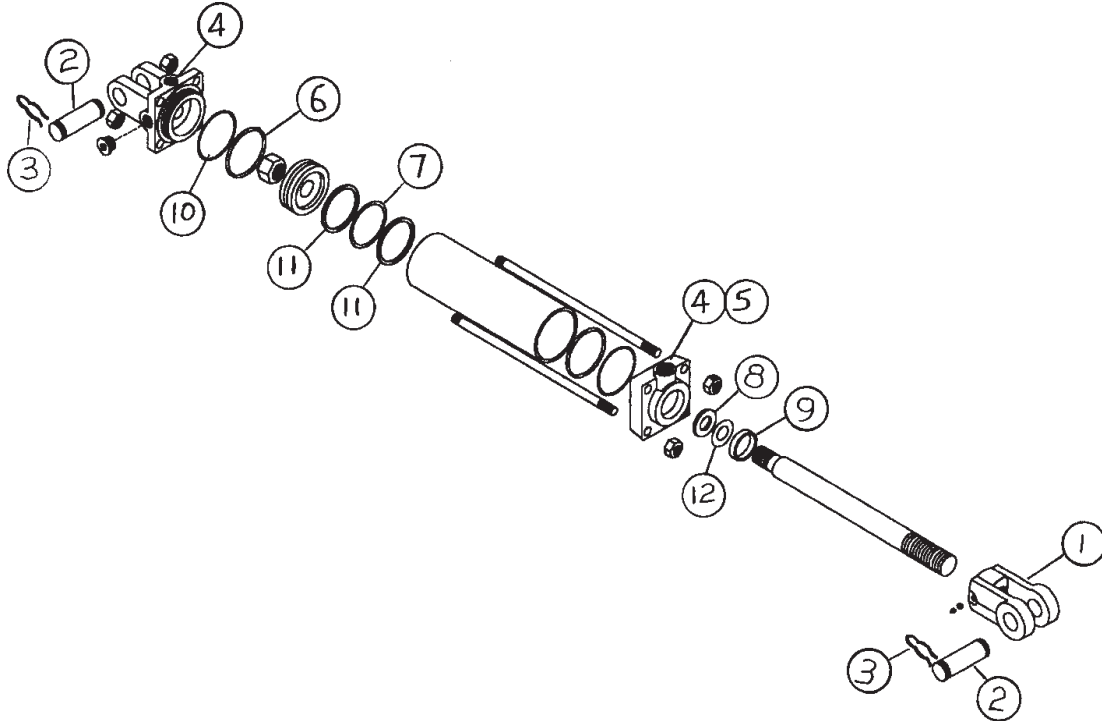
*Furnished w/Cups and Lug Nuts.

**Furnished w/Cups Only.

PARTS LIST

HYDRAULIC CYLINDER

SN # 904401 to PRESENT



4" BORE x 24" STROKE
COMPLETE NO. 1004368-1
USED ON 60' & 85'

4" BORE x 36" STROKE
COMPLETE NO. 1004369-1
USED ON 70'

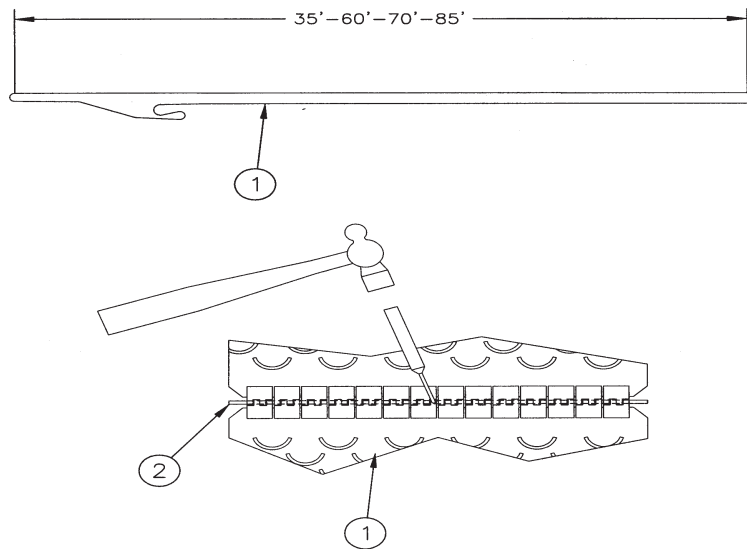
REF. NO.	DESCRIPTION	HUTCHINSON/		HUTCHINSON/	
		MAYRATH PART NO.	MONARCH PART NO.	MAYRATH PART NO.	MONARCH PART NO.
1	Rod Clevis	1028822	492652	1028822	492652
2	Clevis Pin	1028823	134953	1028823	134953
3	Clevis Pin Clip	1028824	134952	1028824	134952
5	Breather	1028826	110559	1028826	110559
6	*End Cap O-Ring	Seal Kit #1028827		Seal Kit #1028828	
7	*Piston O-Ring				
8	*Rod O-Ring				
9	*Rod Wiper Seal				
10	*End Cap Back-up Washers	Seal Kit #1028827		Seal Kit #1028828	
11	*Piston Back-up Washers				
12	*Rod Seal Back-up Washers				

***ONLY AVAILABLE AS PART OF A SEAL KIT.**

PARTS LIST

BELTING COMPONENTS

SN # 904401 to PRESENT



REF. NO	PART NO.	DESCRIPTION
1	---	Conveyor Belting, 15" wide x length noted below, Low Temp PVC, Black Crescent Top Cover w/Slider Bed Back, RS125 Alligator Lacing installed both ends. (Includes nylon covered hinge pin and retaining washers)
	1023739	f/35' Model; PVC 75'-9" belt length
	1028990	f/35' Model; Rubber 75'-9" belt length
	1023326	f/60' Model; PVC 125'-9" belt length
	1032019	f/60' Model; Rubber 125'-9" belt length
	1023738	f/70' Model; PVC 145'-9" belt length
	1032020	f/70' Model; Rubber 145'-9" belt length
	1025147	f/85' Model; PVC 175'-9" belt length
	1032021	f/85' Model; Rubber 175'-9" belt length
	1024743	PVC Per Foot Conveyor Belting part number
	1041839	Rubber Per Foot Conveyor Belting part number (Replaced 1031591) (For repair - Note: Belt end splices not installed)
2	1024218	Hinge Pin Kit, nylon covered steel cable x 15" long
	1024215	Hinge Pin Material (per foot part number)
	1024260	Belt Splice Kit 14" for 15" wide belt for one belt splice
4	1015AS-KIT	Belt Splice Kit (with installation tool) (material for four belt splices)
	1015AS-SET	Belt Splice Kit (without installation tool) (material for four belt splices)
	1030704	Splice Tool
	1036842	Staple Driver F/Belt Splice Tool
	1035075	Hand Held Belt Skiver

PARTS LIST

**This page was left blank
intentionally.**

AGI HUTCHINSON MAYRATH

MANUFACTURED BY
HUTCHINSON | MAYRATH

P.O. Box 629, 514 W. Crawford Street **TF** 800.523.6993
Clay Center, Kansas **P** 785.632.2161
USA 67432 **F** 785.632.5964

hutchinson-mayrath.com