

PARTS LIST

The first edition of the Parts Book was released on 01-2011.

The first edit was completed 01-2012 and the following pages were edited.

PB-0, PB-3, PB-4, PB-5, PB-6, PB-9.

The second edit was completed 1-2013 and the following pages were edited.

PB-0, PB-1, PB-4, PB-6, PB-14, PB-22

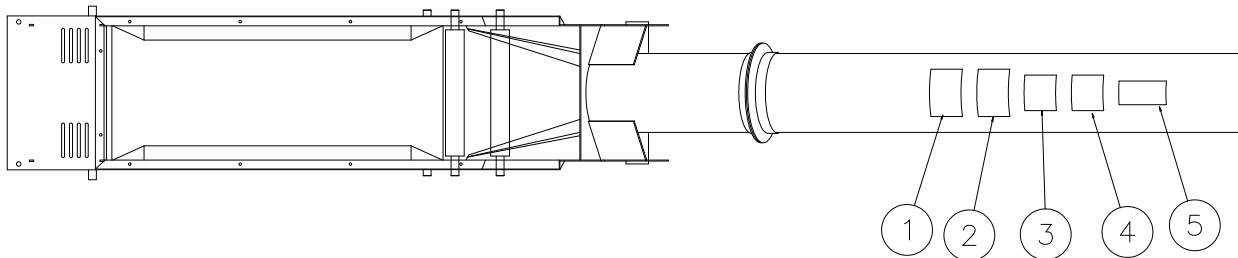
PARTS LIST**SAFETY SIGNS AND DECALS**

SN # 924113 to PRESENT

(Refer to Page PB-2)

Check all safety signs and replace any that are worn, missing or illegible. The safety sign locations are shown below. Copies of the safety signs are shown on the next page. Safety signs may be obtained from your dealer or ordered from the factory.

REF. NO.	PART NO.	QTY.	DESCRIPTION	SIZE
1	1001973	1	CAUTION - GENERAL STATEMENTS 1-8 (On Main Conveyor Housing)	4 3/4" x 8"
2	1001980	1	DANGER - BEWARE OF POWER LINES (On Main Conveyor Housing)	4" x 8"
3	1005324	1	DANGER - "STOP", IF ANY GUARDS, SHIELD... (On Main Conveyor Housing)	4" x 6"
4	1001984	1	DANGER - DO NOT ATTEMPT DISASSEMBLY (On Main Conveyor Housing)	4" x 6"
5	1001981	1	DANGER - UPENDING HAZARD (On Main Conveyor Housing)	4 1/2" x 6 1/4"
6	1002091	1	WARNING - MANUAL WINCH (One on side of left radius rod weldment)	2 3/4" x 5"
--	1021179	As Req'd.	RED REFLECTIVE DECAL (On back of Axle)	2" x 9"
--	1021180	As Req'd.	YELLOW REFLECTIVE DECAL (Along sides of Conveyor Head)	2" x 9"
--	1021181	As Req'd.	ORANGE FLUORESCENT DECAL (On back of Axle)	2" x 9"
	1035579		VIDEO MANUAL	
	1041833		Made in the Heart of America	



SAFETY SIGNS AND DECALS

SN # 924113 to PRESENT

(Refer to Page PB-1)

①

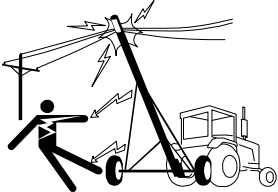
⚠ CAUTION

1. READ AND UNDERSTAND THE OPERATOR'S MANUAL BEFORE OPERATING.
2. DO NOT REMOVE OR MODIFY ANY GUARDS.
3. MAKE CERTAIN EVERYONE IS CLEAR BEFORE OPERATING OR MOVING THE MACHINE.
4. KEEP HANDS, FEET, HAIR AND CLOTHING AWAY FROM MOVING PARTS.
5. STOP MACHINE AND LOCKOUT POWER TO ADJUST, SERVICE OR CLEAN.
6. EMPTY MACHINE AND LOWER TO TRANSPORT POSITION FOR TRANSPORTING.
7. DO NOT ATTEMPT TO MOVE MACHINE MANUALLY. USE A TOWING VEHICLE.
8. KEEP CHILDREN WELL CLEAR OF WORK AREA.

1001973

②

⚠ DANGER



**BEWARE OF POWER LINES
ELECTROCUTION HAZARD**

- THIS MACHINE IS NOT INSULATED.
- KEEP AT LEAST 10 FEET AWAY FROM OVERHEAD ELECTRICAL WIRES.
- ELECTROCUTION CAN OCCUR WITHOUT DIRECT CONTACT.

**FAILURE TO HEED WILL
RESULT IN SERIOUS INJURY
OR DEATH!**

1001980

③

⚠ DANGER



IF ANY GUARDS, SHIELDS OR SAFETY DECALS ARE DAMAGED OR MISSING, ORDER FREE REPLACEMENTS BY CALLING

1-800-523-6993

OR WRITE TO:
HUTCHINSON/MAYRATH
P.O. BOX 629
CLAY CENTER, KANSAS 67432

1005324

④

⚠ DANGER



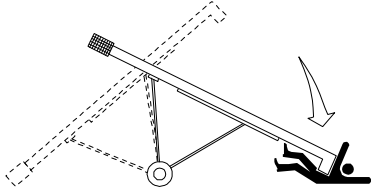
DO NOT ATTEMPT DISASSEMBLY BEFORE SUPPORTING THE AUGER WITH AN OVERHEAD HOIST OR OTHER SAFE, SUITABLE MEANS. THE AUGER MAY COLLAPSE WHILE LOOSENING A COMPONENT IF NOT SUPPORTED.

**FAILURE TO HEED WILL
RESULT IN SERIOUS
INJURY OR DEATH!**

1001984

⑤

⚠ DANGER



UPENDING HAZARD

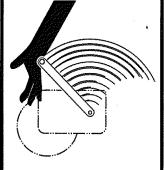
- SUPPORT DISCHARGE END OR ANCHOR INTAKE END TO PREVENT UPENDING.
- EMPTY MACHINE BEFORE MOVING.
- DO NOT PUSH THE UNDERCARRIAGE BY HAND.
- LIFT THE INTAKE END SLOWLY AND NEVER HIGHER THAN VEHICLE TOW BAR. MAINTAIN CONTROL UNTIL SECURELY ATTACHED TO TOW BAR OR RESTING ON THE GROUND.
- LOWER TO TRANSPORT POSITION IMMEDIATELY WHEN CLEAR FROM GRAIN STORAGE STRUCTURE.

**FAILURE TO HEED WILL RESULT
IN SERIOUS INJURY OR DEATH!**

1001981

⑥

⚠ WARNING



(FOR HYDRAULIC OR ELECTRIC WINCH OPERATION, PLEASE REFER TO THE OPERATOR'S MANUAL PROVIDED WITH UNIT.)

- AFTER LOWERING THE UNIT, ALWAYS TURN THE WINCH HANDLE CLOCKWISE UNTIL YOU HEAR AT LEAST TWO CLICKS. THIS TIGHTENS THE BRAKE LOCK.
- MAINTAIN CONTROL OF WINCH HANDLE AT ALL TIMES.
- DO NOT PUT LUBRICATION OF ANY KIND ON THE BRAKE DISC.
- CHECK CABLE BEFORE EACH USE. REPLACE IF FRAYED OR DAMAGED.
- MAINTAIN LIGHT CABLE TENSION WHEN TRANSPORTING.

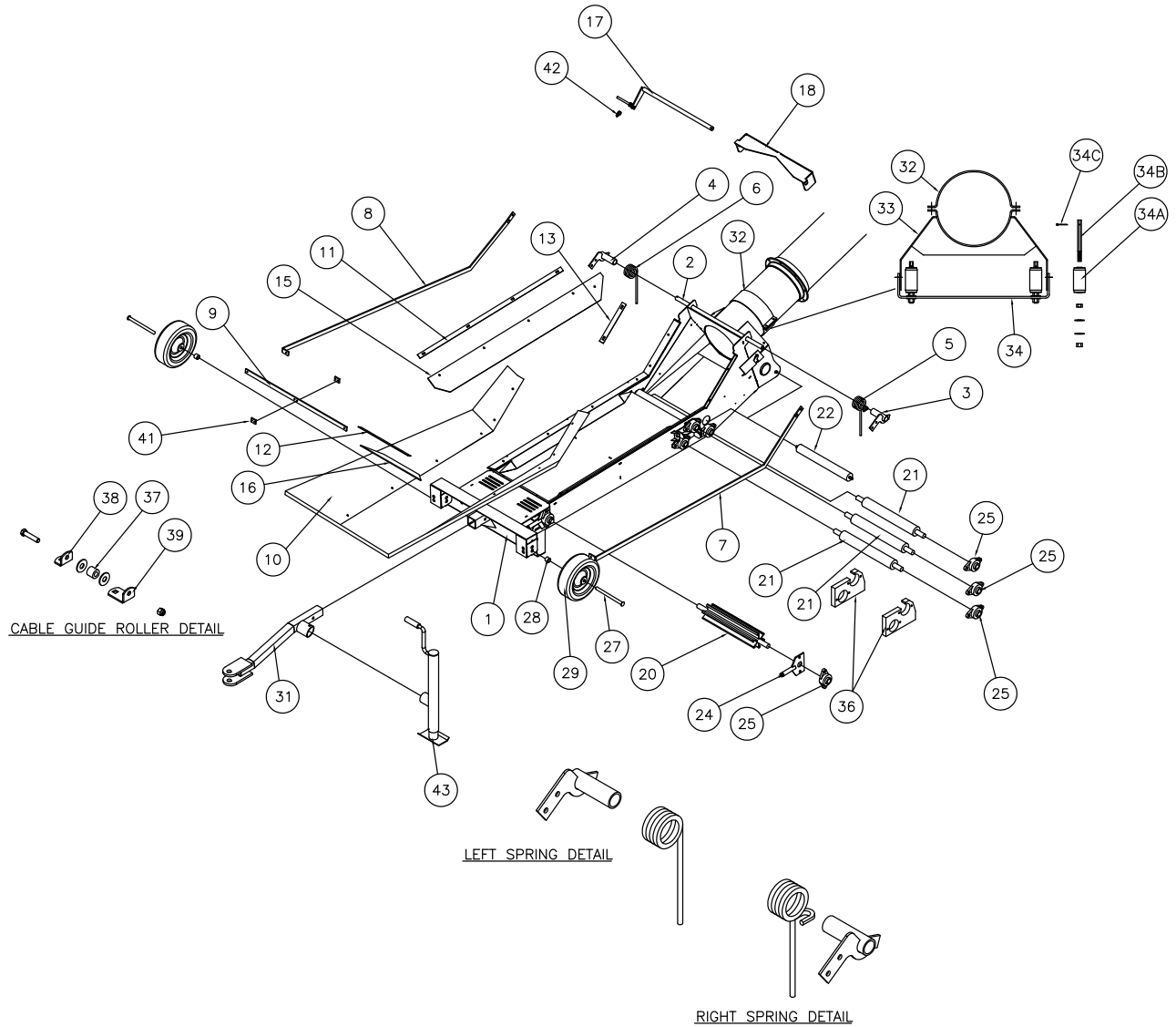
**FAILURE TO HEED WILL RESULT IN
SERIOUS INJURY OR DEATH!**

1002091

PARTS LIST

CONVEYOR INLET HOPPER

SN # 929257 to PRESENT



PARTS LIST

CONVEYOR INLET HOPPER

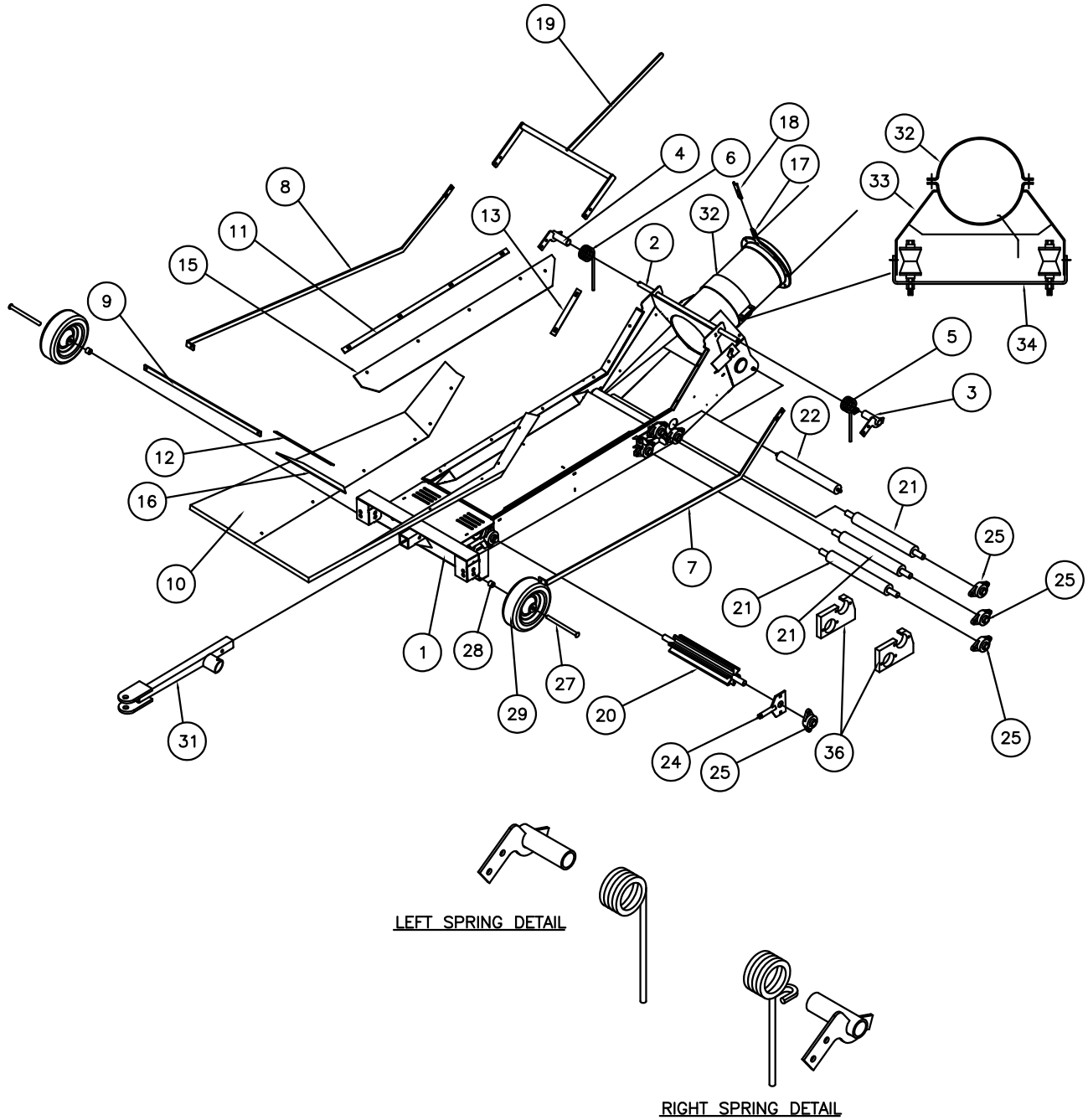
SN # 929257 to PRESENT

REF. NO.	PART NO.	DESCRIPTION
1	1032277	Inlet Hopper Frame Weldment
2	1023835	Spring Pivot Pipe
3	1024361	Spring Anchor (right)
4	1024360	Spring Anchor (left)
5	1023398P	Hopper Spring (right)
6	1023399P	Hopper Spring (left)
7	1024363	Hopper Support Bar (right)
8	1024381	Hopper Support Bar (left)
9	1024366	Hopper End Bar
10	1024369	Canvas Hopper
11	1024367	Tarp Retaining Strap (side) (typical both sides)
12	1024368	Tarp Retaining Strap (end)
13	1024538	Tarp Retaining Strap (upper) (typical both sides)
15	1024545	Skirt Rubber (side) (typical both sides)
16	1024544	Skirt Rubber (end)
17	1035402	Pull Handle Weldment
18	1035403	Handle Mount Weldment
19	4021A1	Cable 3/16" x 12' long (not shown)
20	1030234	Tail Pulley, 4" dia. x 16" CF Wing w/1" Shaft
21	1024392	Roller "S", 2-1/4" dia. w/1" Shaft
22	1024273	Roller, 1.9" dia. w/Hex Shaft
--	1024290	Bearing Push Plate f/1" Brg. Not used anymore. Does not provide any adjustment of the roller.
24	1024475	Take-up Bearing Bracket
25	1029746	Bearing, 1" 2-Hole Flanged
27	1024345	Wheel Axle
28	1021030	Spacer Bushing f/Wheel
29	1022373	Wheel, 10" x 3-1/4" w/5/8" Bore
31	1024466	Hitch Tube Weldment
32	5930A1	Half Band x 4" long
33	1026984	Guide Roller Support
34	1036730	Guide Roller Assembly (Includes Items 34A, 34B and 34C) (If Old Style Guide Roller # 1025893, Spacer Tube # 1030100 Bolt # 1026107, Ball Bearing # 1026002 or Spacer Tube # 1013829 are requested Substitute Part Number 1037508.)
34A	1036617	Guide Roller (Hex Bore)
34B	1036711	Hex Roller Shaft
34C	40629	Cotter Pin 3/32 x 1-1/4"
35	1029478	Bolt 1/2" x 5" f/Take-up Bracket (not shown)
36	1029001	UHMW Seal Panel (2 places)
37	1022398	UHMW Cable Guide Roller
38	1035383	Cable Roller Bracket (short)
39	1035382	Cable Roller Bracket (long)
40	5321C	3/16" Cable Clamp
41	1035454	Cable Clamp Bar
42	420035	Cable Thimble
43	1024776	Screw Jack 2000 lbs. x 15"
	1041946	Rubber Inlet Skirt Cover (not shown) one required

PARTS LIST

CONVEYOR INLET HOPPER

SN# 924113 to #929257



PARTS LIST

CONVEYOR INLET HOPPER

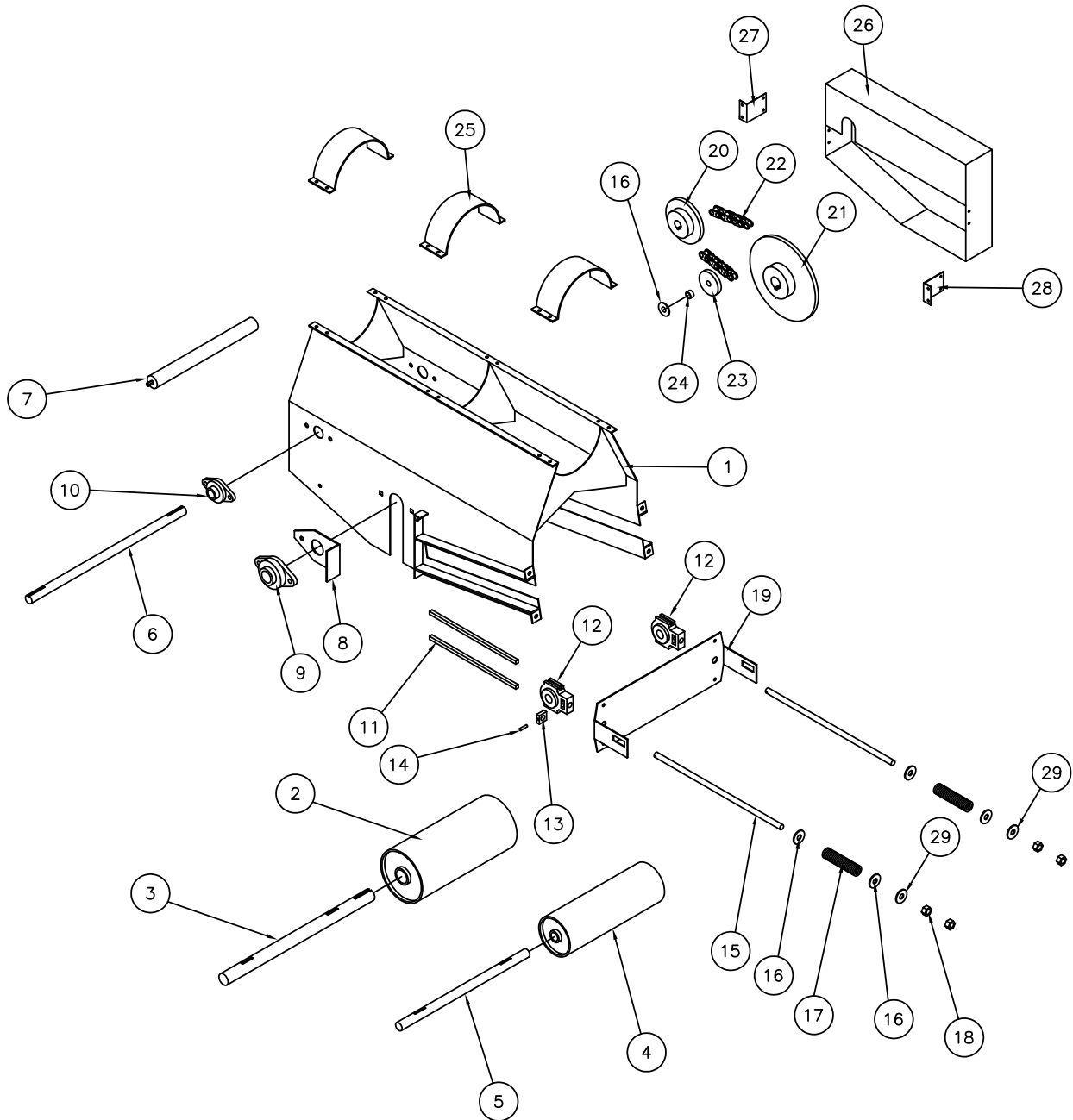
SN# 924113 to #929257

REF. NO.	PART NO.	DESCRIPTION
1	1032277	Inlet Hopper Frame Weldment
2	1023835	Spring Pivot Pipe
3	1024361	Spring Anchor (right)
4	1024360	Spring Anchor (left)
5	1023398P	Hopper Spring (right)
6	1023399P	Hopper Spring (left)
7	1024363	Hopper Support Bar (right)
8	1024381	Hopper Support Bar (left)
9	1024366	Hopper End Bar
10	1024369	Canvas Hopper
11	1024367	Tarp Retaining Strap (side) (typical both sides)
12	1024368	Tarp Retaining Strap (end)
13	1024538	Tarp Retaining Strap (upper) (typical both sides)
15	1024545	Skirt Rubber (side) (typical both sides)
16	1024544	Skirt Rubber (end)
17	1024519	Base Plate F / Skirt Latch
18	1024520	Skirt Latch Notched Bar
19	1024531	Skirt Lock Handle
20	1030234	Tail Pulley, 4" dia. x 16" CF Wing w/1" Shaft
21	1024392	Roller "S", 2-1/4" dia. w/1" Shaft
22	1024273	Roller, 1.9" dia. w/Hex Shaft
--	1024290	Bearing Push Plate f/1" Brg. Not used anymore. Does not provide any adjustment of the roller.
24	1024475	Take-up Bearing Bracket
25	1029746	Bearing, 1" 2-Hole Flanged
27	1024345	Wheel Axle
28	1021030	Spacer Bushing f/Wheel
29	1022373	Wheel, 10" x 3-1/4" w/5/8" Bore
31	1024466	Hitch Tube Weldment
32	5930A1	Half Band x 4" long
33	1026984	Guide Roller Support
34	1036730	Guide Roller Assembly (Includes Items 34A, 34B and 34C) (If the old style Guide Roller # 1025893, Spacer Tube # 1030100, Bolt # 1026107 Ball Bearing # 1026002 or Spacer Tube # 1013829 are requested Substitute Part # 1037508)
34A	1036617	Guide Roller (Hex Bore)
34B	1036711	Hex Roller Shaft
34C	40629	Cotter Pin 3/23" x 1-1/4"
35	1029478	Bolt 1/2" x 5" f/Take-up Bracket (not shown)
36	1029001	UHMW Seal Panel (2 places)
43	1024776	Screw Jack 2000 lbs. x 15" (Not Shown)
	1041946	Rubber Inlet Skirt Cover (not shown) one required

PARTS LIST

DRIVE ASSEMBLY COMPONENTS

SN # 924113 to PRESENT



PARTS LIST

DRIVE ASSEMBLY COMPONENTS

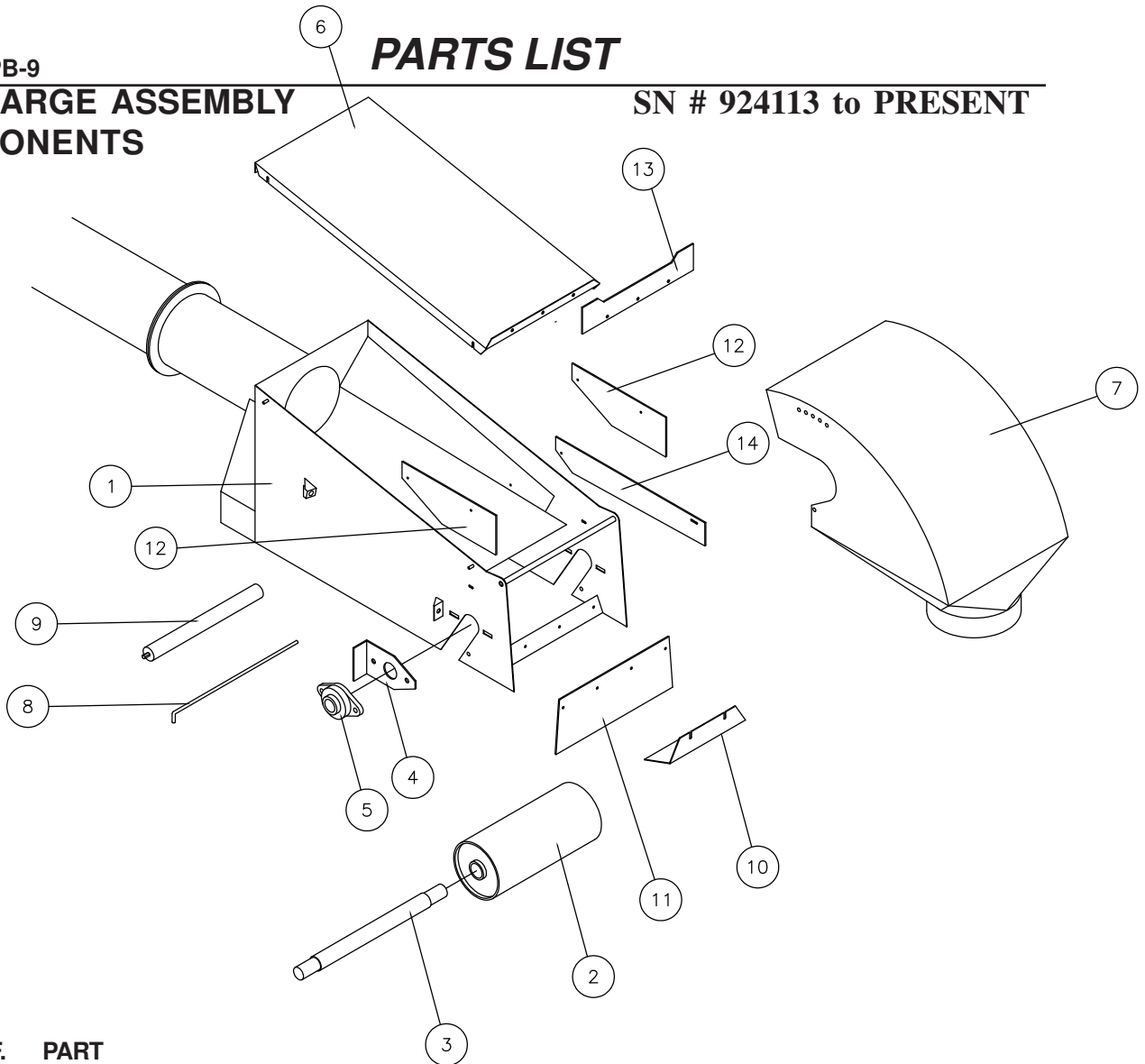
SN # 924113 to PRESENT

1	1023705	Drive Frame Weldment
2	1031929	Pulley, 8" x 18" Crown Face w/1-3/4" Bore (lagged) (See Assembled P/N Below)
3	1032528	Shaft, Drive 1-3/4" x 28" lg.
4	1031928	Pulley, Take-up 6" x 18" Straight Face w/1-1/4" Bore (See Assembled P/N Below)
5	1032482	Shaft, Take-up 1-1/4" x 24 1/4" lg.
6	1023732	Jack Shaft, 1-1/4" x 29 1/2" lg.
7	1023329	Return Roller
8	1023728	Bearing Push Plate
9	1029744	Bearing, 1-3/4" 2-Bolt Flanged
10	1029742	Bearing, 1-1/4" 2-Bolt Flanged
11	1023716	Guide Bar
12	1029743	Bearing, 1-1/4" Take-up
13	1023736	Retainer Plate
14	33158	Roll Pin, 3/16" x 1-1/4" lg.
15	1023327	Threaded Rod, 3/4" x 24"
--	1023737	Threaded Rod Assembly (Includes Items 13, 14 & 15)
16	33027	Washer, 3/4" Flat
17	1023328P	Spring (Painted Yellow) (Two req'd.)
18	D1152	Nut, 3/4" Hex Non-lock
19	1023717	Cross Plate
20	40329	Sprocket, 80 RC 19T w/1-1/4" Bore (roller chain drive)
20	1031096	Sprocket, Poly Chain Belt 36T x 14mm pitch (optional cogged belt drive)
21	1023325	Sprocket, 80 RC 38T w/1-3/4" Bore (roller chain drive)
21	1031095	Sprocket, Poly Chain Belt 71T x 14mm pitch (optional cogged belt drive)
22	1024196	Chain Assembly, #80 RC x 60 Pitches w/Connecting Link (roller chain drive)
22	1031098	Belt, Poly Chain 1568mm length x 14mm x 37mm wide (optional cogged belt drive)
23	40953	Idler Sprocket, 80 RC 11T w/3/4" Bore w/Bearing (roller chain drive)
23	1031097	Idler Sprocket, Poly Chain 30T w/Bearings (optional cogged belt drive)
24	553242	Idler Spacer
25	5930A1	Half Band x 4" wide
26	1023597	Chain Guard
27	1023598	Chain Guard Bracket
28	1023951	Chain Guard Bracket
29	1029957	UHMW Washer
--	1031099	Bushing, Taper Lock, 2517 w/1-1/4" Bore (for Item 20 Cogged Belt)
--	1031100	Bushing, Taper Lock, 3525 w/1-3/4" Bore (for Item 21 Cogged Belt)
--	1032527	Items 2 & 3 Assembled
--	1031938	Items 4 & 5 Assembled

PARTS LIST

DISCHARGE ASSEMBLY COMPONENTS

SN # 924113 to PRESENT

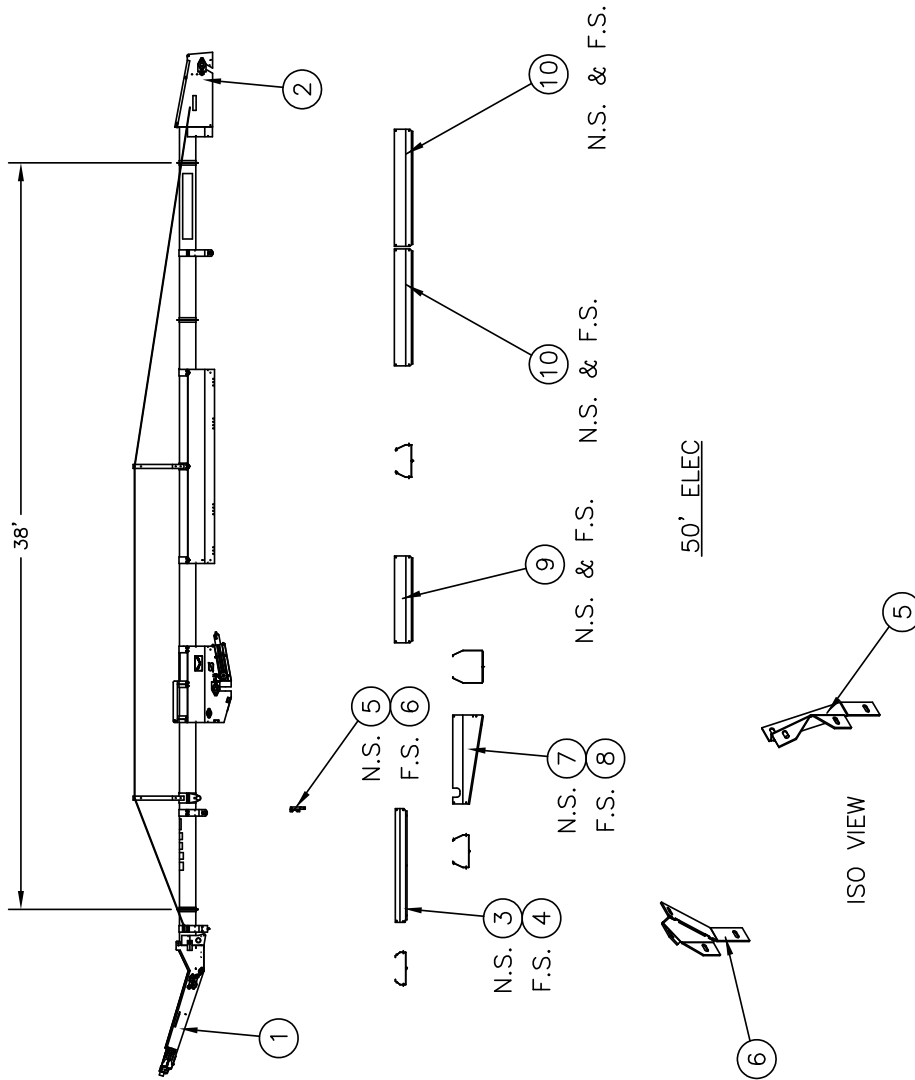


REF. NO	PART NO.	DESCRIPTION
1	1023770	Discharge Housing Weldment
2	1031930	Pulley, 8" dia. x 18" Crown Face w/2" Bore (See assembled P/N below) (Note: This pulley will be substituted for Part # 1023323)
3	1023735	Shaft, Head 2" x 25-5/16" lg. (Turned to 1-3/4" dia. at bearings)
4	1023728	Bearing Push Plate
5	1029744	Bearing, 1-3/4" 2-Bolt Flanged
6	1023839	Cover Panel (Note: This cover has been modified by adding a one inch lip to the discharge end which allows Part # 1026230 (item #13 to be attached) it will still work on all serial numbers. It would be suggested to order item #13 and install if the cover is being ordered for replacement.)
7	1023485	Plastic Discharge Spout
8	1023844	Discharge Spout Pin
9	1023329	Return Roller
10	1024162	Wiper Mount Bracket Note it be suggested to order and install item #13 if item #11 and or #12 is being ordered for replacement.
11	1023845	Rubber Belt Wiper
12	1025412	Skirt Rubber (Discharge Sides)
--	1031940	Items 2 & 3 Assembled
13	1026230	Skirt Rubber
14	1033676	Lower Side Skirt Rubber (Typical both sides) (Note: This skirt was added to improve sealing of the discharge assembly.)
	1023812R	Bottom Panel w/Knockouts (Can be used to field repair wear holes in the Inlet/ Drive frame weldment transition pan).

PARTS LIST

WIND GUARD COMPONENTS

SN # 924113 to PRESENT

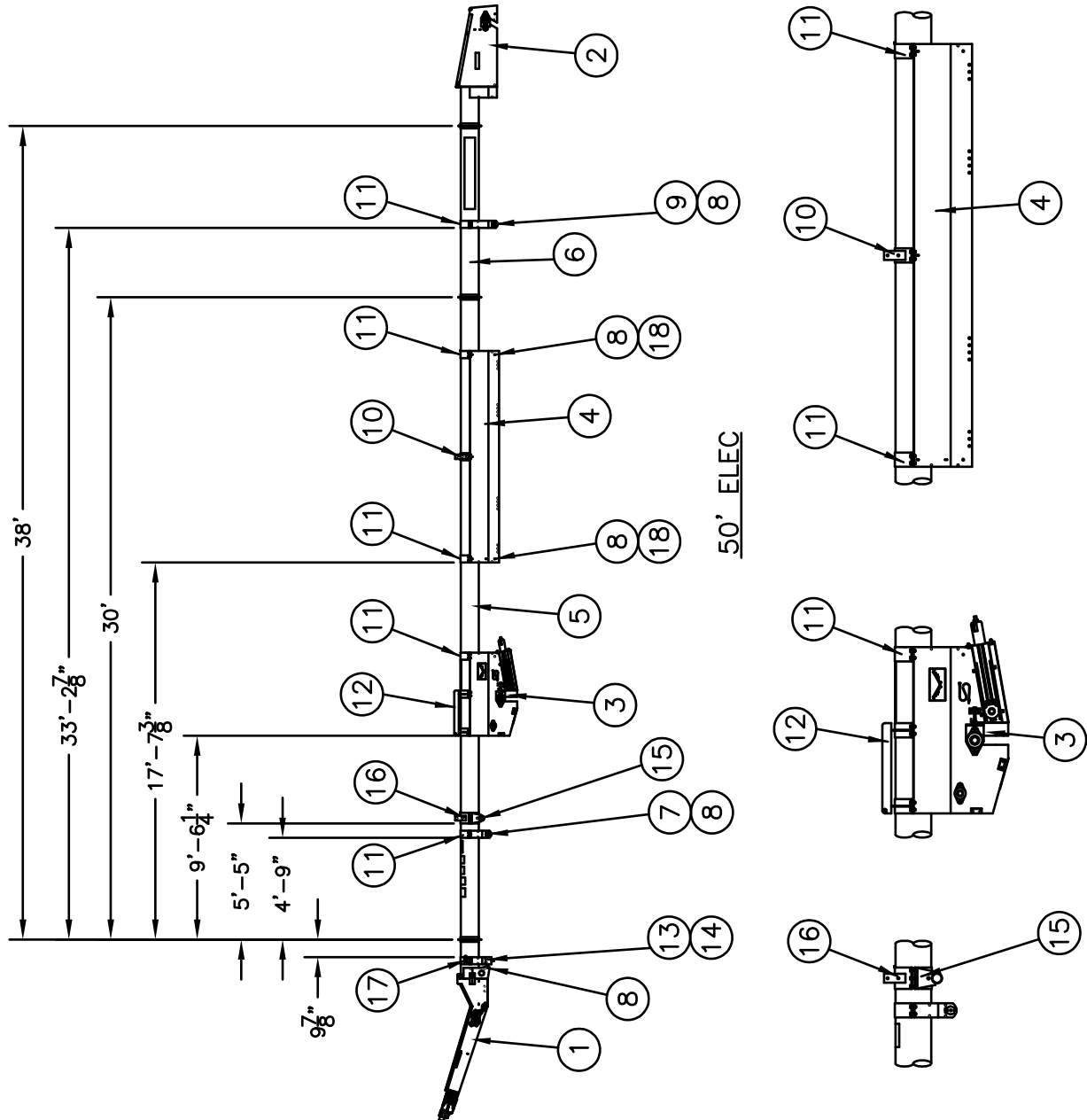


REF. NO.	PART NO.	DESCRIPTION
1	Ref.	Inlet Assembly
2	Ref.	Discharge Assembly
3	1033010	Wind Guard Panel (right hand)
4	1033011	Wind Guard Panel (left hand)
5	1032988	Wind Guard Transition Bracket (right hand)
6	1032989	Wind Guard Transition Bracket (left hand)
7	1033300	Transition Wind Guard Panel (right hand)
8	1033299	Transition Wind Guard Panel (left hand)
9	1033013	Wind Guard Panel (two required)
10	1033012	Wind Guard Panel (four required)

PARTS LIST

MAIN CONVEYOR COMPONENTS

SN # 924113 to PRESENT



PARTS LIST

MAIN CONVEYOR COMPONENTS

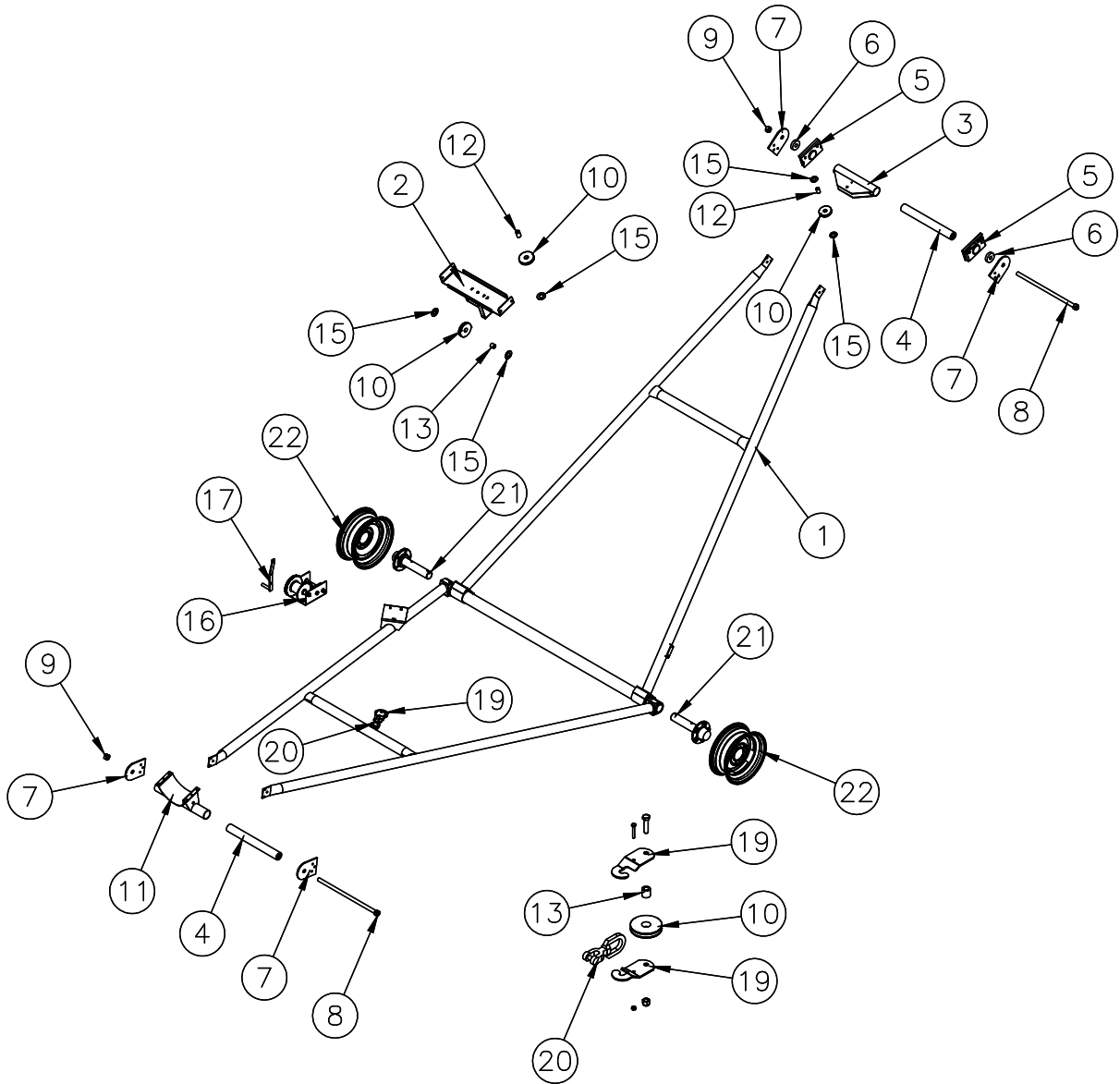
SN# 924113 to PRESENT

REF. NO.	PART NO.	DESCRIPTION
1	1032297	Inlet Assembly
2	1023772	Discharge Assembly
3	1033582	Drive Assembly
4	1032848	Undercarriage Track Housing Weldment
5	1032970	Lower Conveyor Tube
5	1023454	Upper Pivot Weldment
6	1032970-220	Upper Conveyor Tube (Hutch)
6	1032971-320	Upper Conveyor Tube (Mayrath)
7	1026885	Return Roll Support
8	1023329	Return Roller w/Hex Shaft
9	1025616	Return Roll Support
10	1033006	Truss Mount Band
11	5930A1	Half Band 10" x 4" wide
12	1023722	Motor Mount Support (for Electric Drive Model only)
13	1026984	Guide Roller Support
14	Ref	Guide Roller Assembly (See Items 34A, 34B, 34C on page PB-4. Can order pre - assembled as part # 1037508.)
15	1023454	Radius Arm Pivot Mount
16	1007807	Truss Mount Band
17	1033107	Truss Cable Anchor Band
18	1025602	Return Roll Adjusting Bracket

PARTS LIST

UNDERCARRIAGE COMPONENTS

SN # 924113 to PRESENT



PARTS LIST

UNDERCARRIAGE COMPONENTS

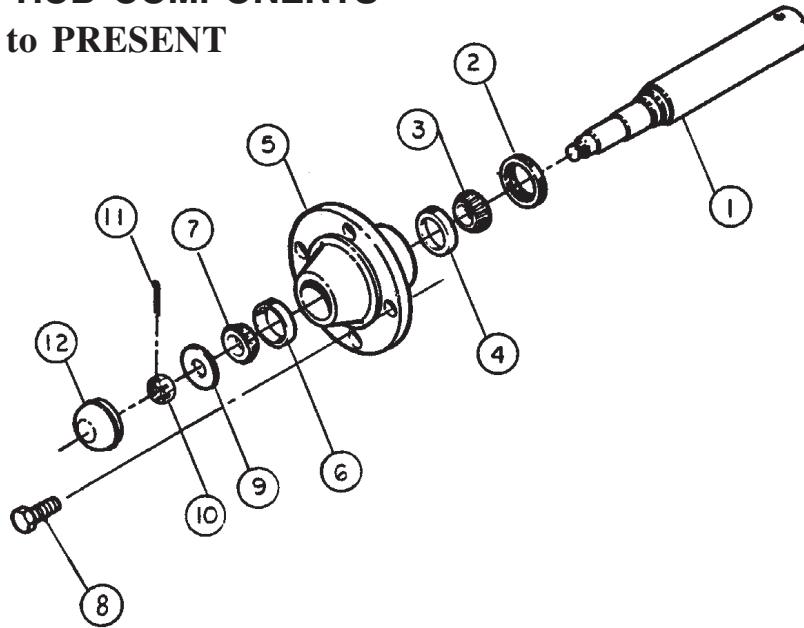
SN # 924113 to PRESENT

REF. NO.	PART NO.	DESCRIPTION
1	1033263	Undercarriage
2	1032899	Pulley Mount Weldment
3	1032904	Pulley Clevis Mount
4	1023458	Spacer Tube (two required)
5	1032811	Trolley Slide Weldment (two required)
6	1033274	Upper Arm Bushing (two required)
7	1032902	Pivot Plate (four required)
8	1023852	Pivot Bolt (two required)
9	1007943	Nut 1" Nylon Lock
10	3220A1	Cable Pulley (four required)
11	1023454	Lower Arm Pivot Mount
12	1007713	Pulley Bushing 1" O.D. x 1-9/16" long (two required)
13	1012347	Pulley Bushing 1" O.D x 31/32" long
14	D1165	Cotter Pin 1/4" x 3" (not shown)
15	1007757	Washer, 2-1/8" O.D. x 1-1/8" I.D. (five required)
16	40302	Winch Assembly (See page PB-13 for parts)
17	41595	Winch Handle
18	1008540	Winch Cable, 5/16" x 45' long (not shown)
19	1033505	Pulley Clevis Side Plate (two required)
20	1033501	Swivel Connector
21	1003104	Spindle & Hub Assembly (See page PB-12 for parts)
22	107225	Wheel Rim (15" x 6") 5-Bolt
	1012040	Tire 15" 225 8Ply
	1014234	Tire and Wheel Assembly (Includes 107225 & 1012040)

PARTS LIST

SPINDLE & HUB COMPONENTS

SN# 924113 to PRESENT



REF.	DESCRIPTION	5-BOLT (2-3/8" x 14")
--	Spindle & Hub Assy.	1003104
1	Spindle	1001004
2	Grease Seal	107233
3	Inner Cone (Timken No.)	3078R1 (LM48548)
4	Inner Cup	3147R1
5	Hub	*1006987
6	Outer Cup (Timken No.)	3148R1 (LM67010)
7	Outer Cone (Timken No.)	3079R1 (LM67048)
8	Lug Bolt	--
8	Lug Nut	107235
9	Washer	107229
10	Slotted Hex Nut	6360C (3/4")
11	Cotter Pin	107230 (5/32" x 1 3/4")
12	Hub Cap	107234

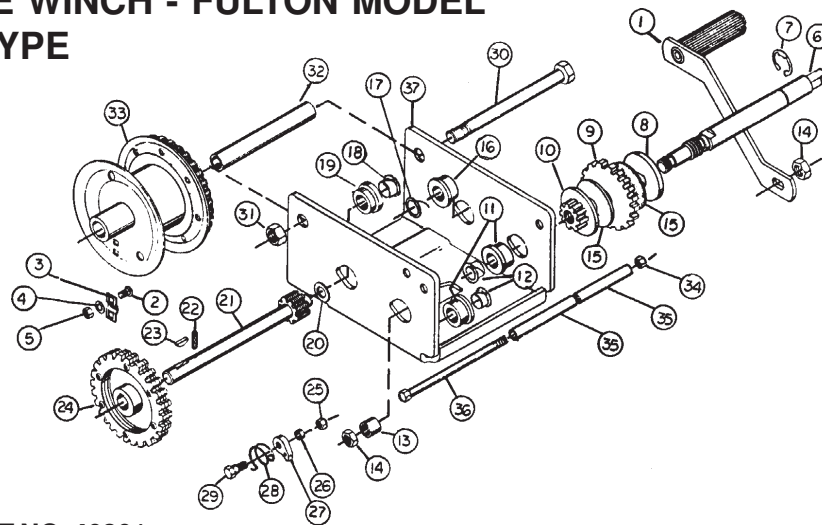
*Furnished w/Cups and Lug Nuts.

**Furnished w/Cups Only.

PARTS LIST

UNDERCARRIAGE WINCH - FULTON MODEL K-2550 BRAKE TYPE

SN # 924113 to
PRESENT



COMPLETE WINCH - PART NO. 40301

REF. NO.	DESCRIPTION	HUTCHINSON/ MAYRATH PART NO.	FULTON PART NO.
1	Handle	41595	2461S01
2	Bolt	Cable	Cable
3	Cable Clamp	Keeper	Keeper
4	Lockwasher	Kit	Kit
5	Nut		
6	Input Shaft		
7	Retaining Ring		
8	Brake Disc	Input Shaft	Input Shaft
9	Ratchet Gear	Kit	Kit
10	Pinion Gear	41598	1565S01
11	Bushing		
12	Insert		
13	Spacer		
15	Friction Disc	41601	Kit 1578S00
16	Bushing		
17	Insert		
18	Insert		
19	Bushing	Intermediate	Intermediate
20	Washer	Shaft	Shaft
21	Intermediate Shaft	Kit	Kit
22	Roll Pin	41599	1569S01
23	Woodruff Key		
24	Gear		
25	Nut		
26	Spacer	Ratchet Kit	Ratchet Kit
27	Ratchet Pawl	40836	6730S00
28	Spring		
29	Shoulder Bolt		
30	Drum Bolt T-Grade 5	*	*
31	Locknut	*	*
32	Drum Spacer	**	**
33	Drum Assembly	**	**
34	Locknut	*	*
35	Frame Spacer	**	**
36	Bolt	*	*
37	Frame	**	**

*Indicates standard hardware items - purchase locally.

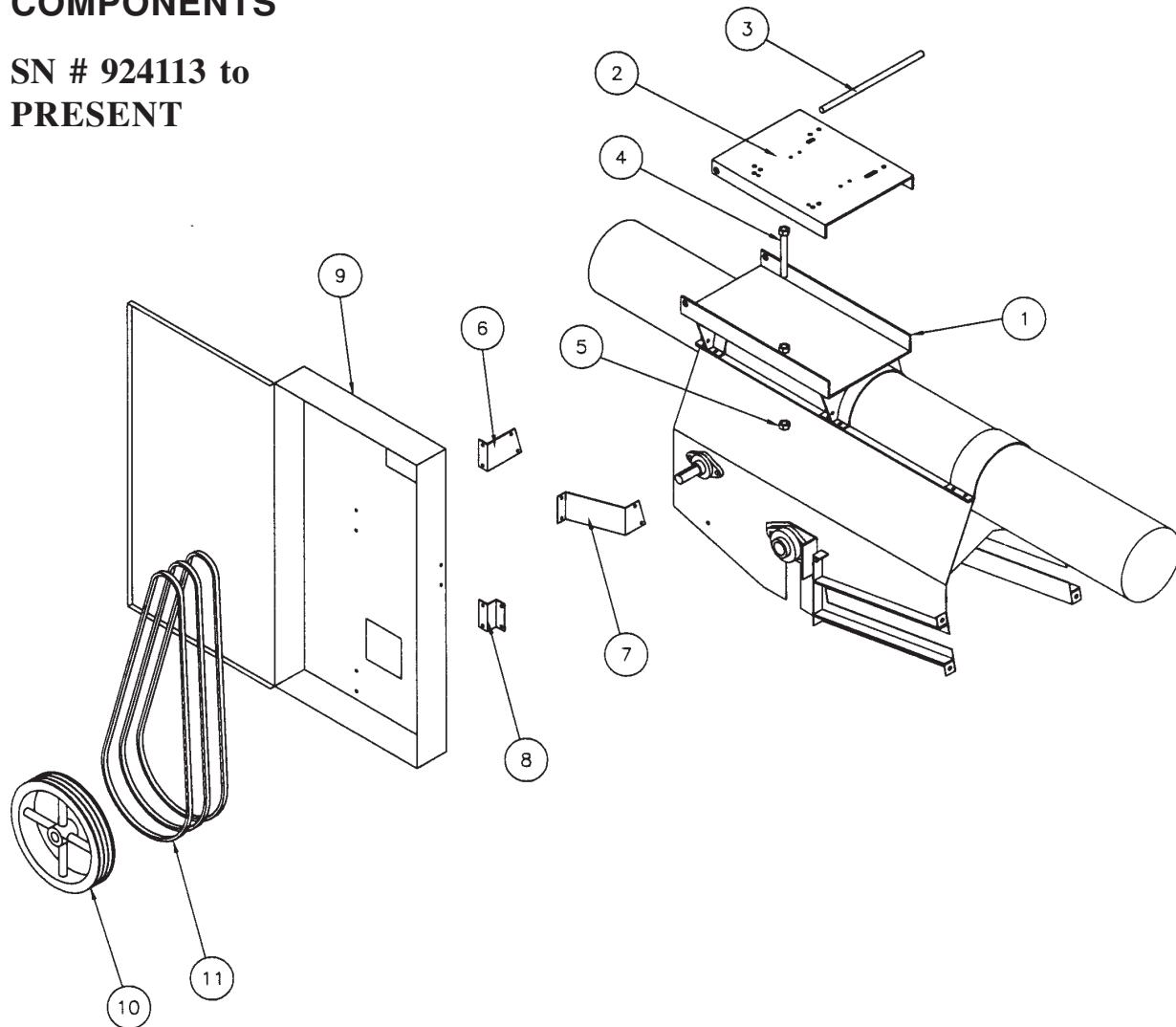
**These items are not available as separate parts because of the precision assembly required.

If these parts require replacement, a new winch unit is recommended.

PARTS LIST

ELECTRIC DRIVE COMPONENTS

SN # 924113 to PRESENT

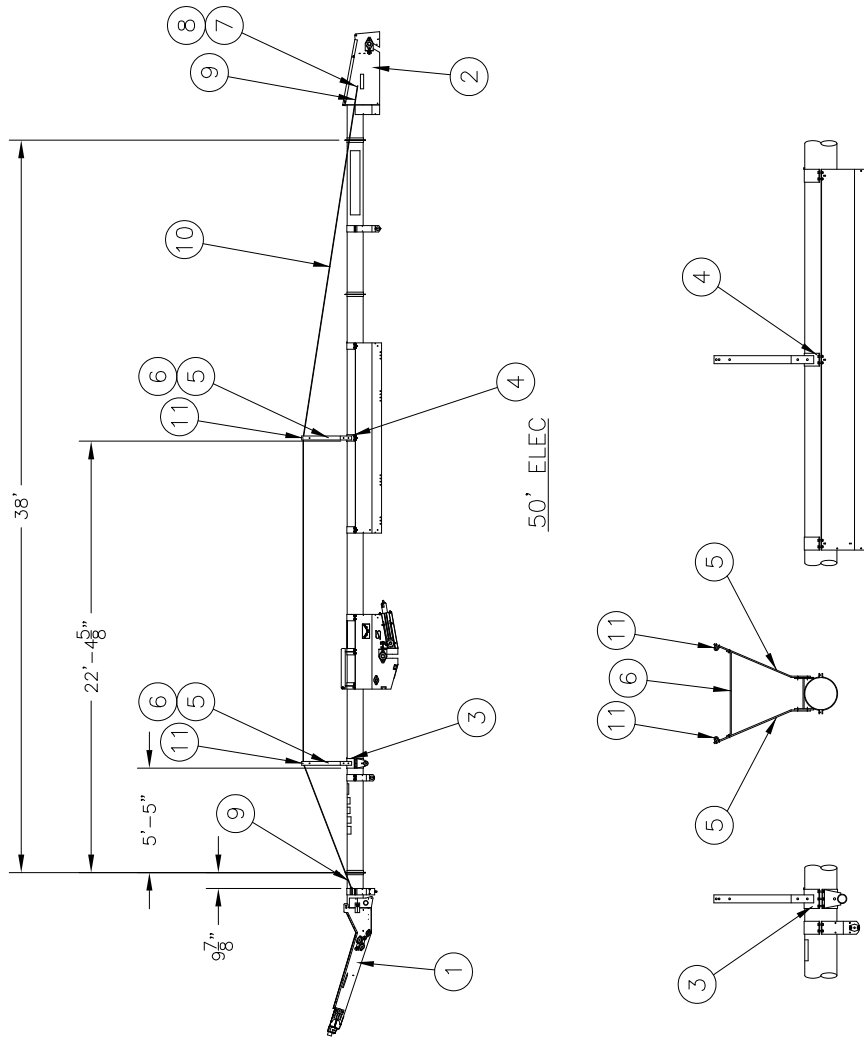


REF. NO.	PART NO.	DESCRIPTION
1	1023722	Motor Mount Support
2	1022138	Motor Mount Plate
3	1022188	Pivot Pin
4	1022381	Adjusting Bolt
5	D1152	Nut, 3/4" Hex Non-lock
6	1023587	Belt Guard Bracket
7	1023586	Belt Guard Bracket
8	1023588	Belt Guard Bracket
9	1023585	Belt Guard Weldment
10	40161	Sheave, 3-Groove "B" Section x 15" O.D. w/1-1/4" Bore
11	40131	Belt B-90 (3 required)
--	1002800	Motor Sheave 3B 4.8" P.D. (For 60 Hz, 1750 RPM motors)
--	3267A1	Motor Sheave 3B 5.6" P.D. (For 50 Hz, 1450 RPM motors)
--	3089A1	Bushing f/Motor Sheave SD 1.625" (For Motor Sheave)

PARTS LIST

TRUSS COMPONENTS

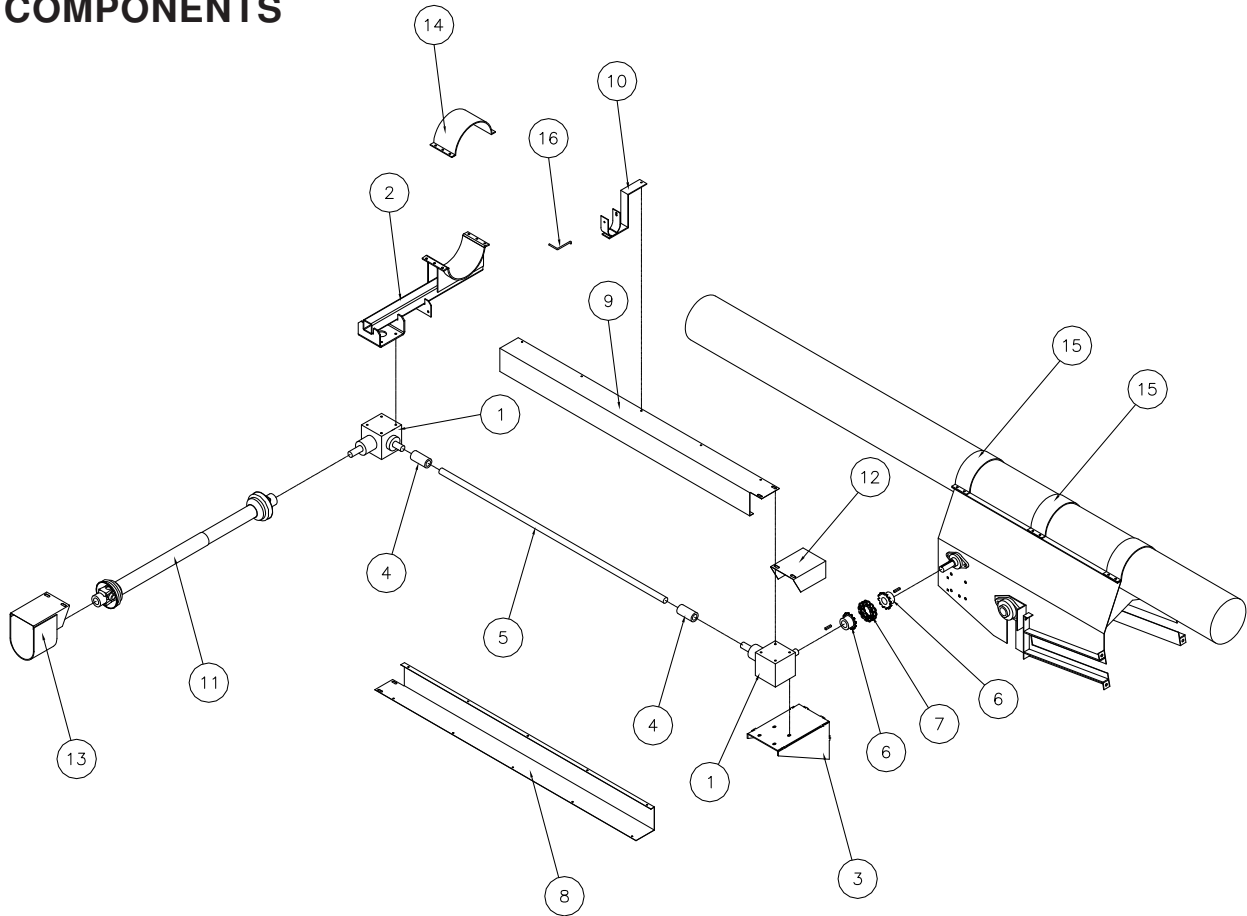
SN # 924113 to PRESENT



REF. NO	PART NO.	DESCRIPTION
1	Ref.	Inlet Assembly
2	Ref.	Discharge Assembly
3	Ref.	Truss Mount Band (Item 16 of Tube Assembly)
4	Ref.	Truss Mount Band (Item 10 of Tube Assembly)
5	106399	Truss Side Bar
6	106398	Truss Cross Bar
7	866015-1	Eyebolt 5/8" x 11
8	D1170	Nut 5/8" Hex
9	6369C	Cable Clamp 1/4"
10	1002573	Cable 1/4" x 44' lg.
11	3010L1	Cable Clamp 3/8"

PARTS LIST**PTO DRIVE
COMPONENTS**

SN # 924113 to PRESENT

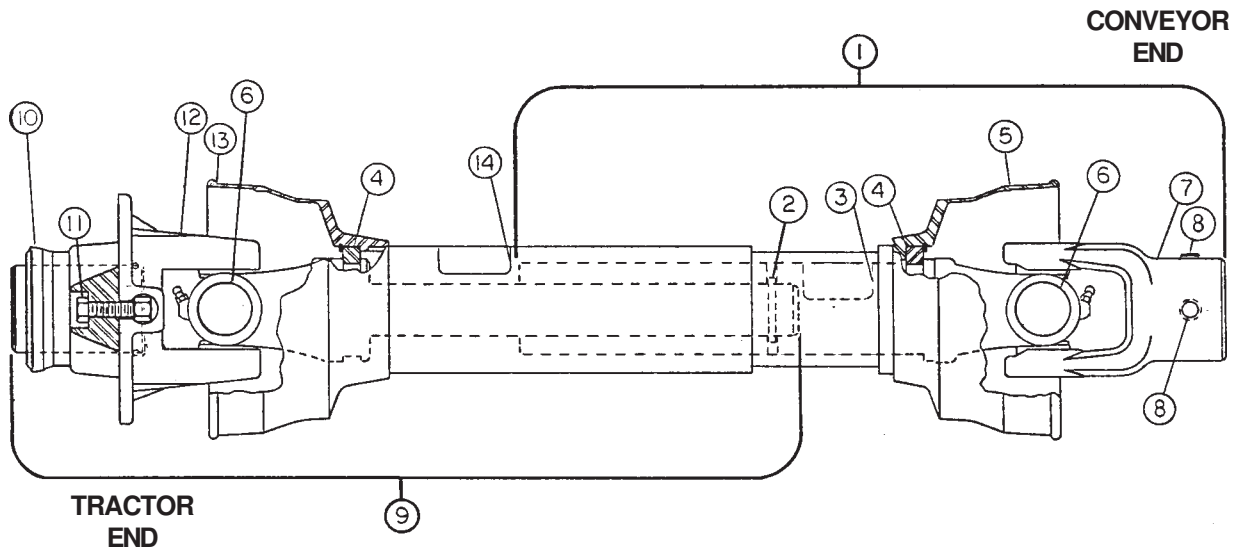


REF. NO	PART NO.	DESCRIPTION
1	1006130-1	Gearbox (For Parts Breakdown see page PB -21.)
2	1035831	Lower Gearbox Support
3	1035830	Upper Gearbox Support
4	1007599	Straight Coupler
5	1018695	Drive Shaft 1-1/4" x 63"
6	1017967	Flex Coupler Half
7	41051	Flex Coupler Chain
8	1035896	Lower PTO Drive Shaft Shield
9	1035897	Upper PTO Drive Shaft Shield
10	1035902	PTO Transport Bracket
11	1002172	PTO Shaft 1-1/4" x 60" 14R (For Parts Breakdown see page PB-20.)
12	1035892	Flex Coupler Guard
13	862113	U-Joint Shield
14	106207-1	Half Band 10" x 6" long
15	5930A1	Half Band 10" x 4" long
16	3338A1	PTO Transport Pin

PARTS LIST

PTO DRIVELINE COMPONENTS

SN # 924113 to PRESENT



NOTE: Repair parts for PTO drivelines can also be purchased directly from:

**Weasler Engineering, Inc.
P.O. Box 558
West Bend, WI 53095**

**U-JOINT TYPE - 14R
AUGER END 1 1/4" BORE
WITH 1/4" KEYSEAT
TRACTOR END 1 3/8 - 6B SPLINE
WITH SHEAR BOLT**

REF. NO.	DESCRIPTION	HUTCHINSON/ MAYRATH PART NO.	WEASLER PART NO.
--	PTO Driveline Complete	1002172	232-16106
1	Joint & Tube Half Assembly with Guard (Auger End)	1015285	92-16106
2	Roll Pin 1/4" x 1" long	1003691	11-10454
3	Inner Safety Sign	13-10022	13-10022
4	Shield Nylon Bearing Kit	1010565	19-11104
5	Inner Guard (Includes Ref. No. 4)	1006478	96-16106
6	U-Joint Cross Repair Kit	40524	03-10134
7	End Yoke	1003683	14011-1117
8	.375 - 16 x .38 long Setscrew	33170	11-10215
9	Joint & Shaft Half Assembly with Guard (Tractor End)	1015286	93-16106
10	Spring Lock Flange Repair Kit	1003674	26-10133
11	Shear Bolt & Nut Kit (See Note)	1004778	--
12	Yoke & Ball Shear Assembly	1006480	26-11670
13	Outer Guard (Includes Ref. No. 4)	1006481	97-16106
14	Outer Safety Sign	13-10021	13-10021

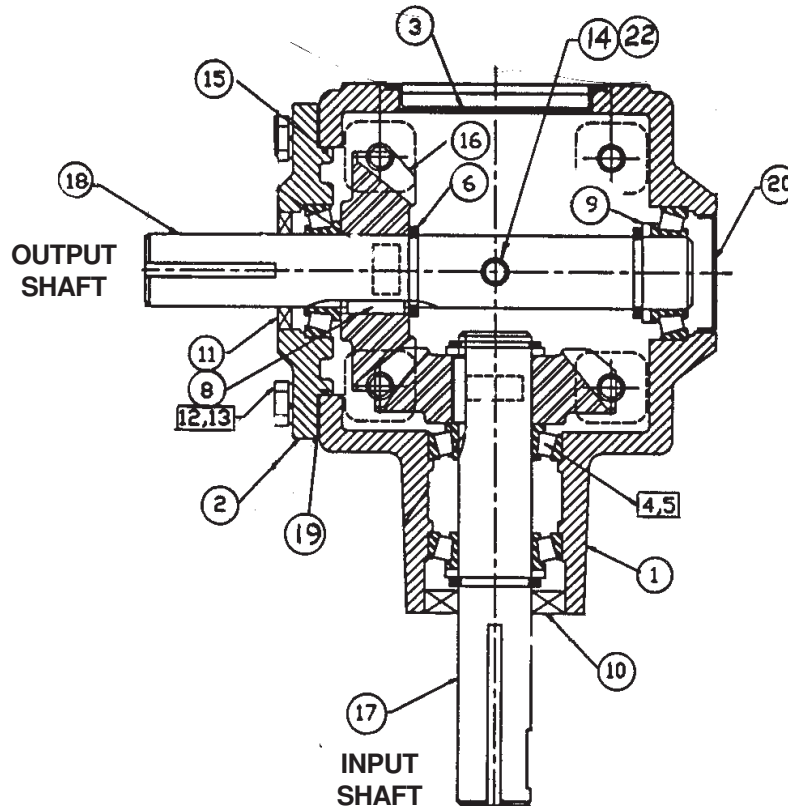
Note: Shear Bolt Kit includes (6) 5/16" - 18 x 1" long Grade 5 hex bolts and locknuts.

PARTS LIST**GEARBOX COMPONENTS**

SN # 924113 to PRESENT

COMPLETE PART NO. 1006130-1
 FOR UNITS WITH PTO OR ELECTRIC DRIVE
 1 1/4" DIA. INPUT SHAFT - 1 1/4" DIA. OUTPUT SHAFT
 3/8" MOUNTING HOLES - 4" SQUARE MOUNTING PATTERN
 RATIO 1 TO 1

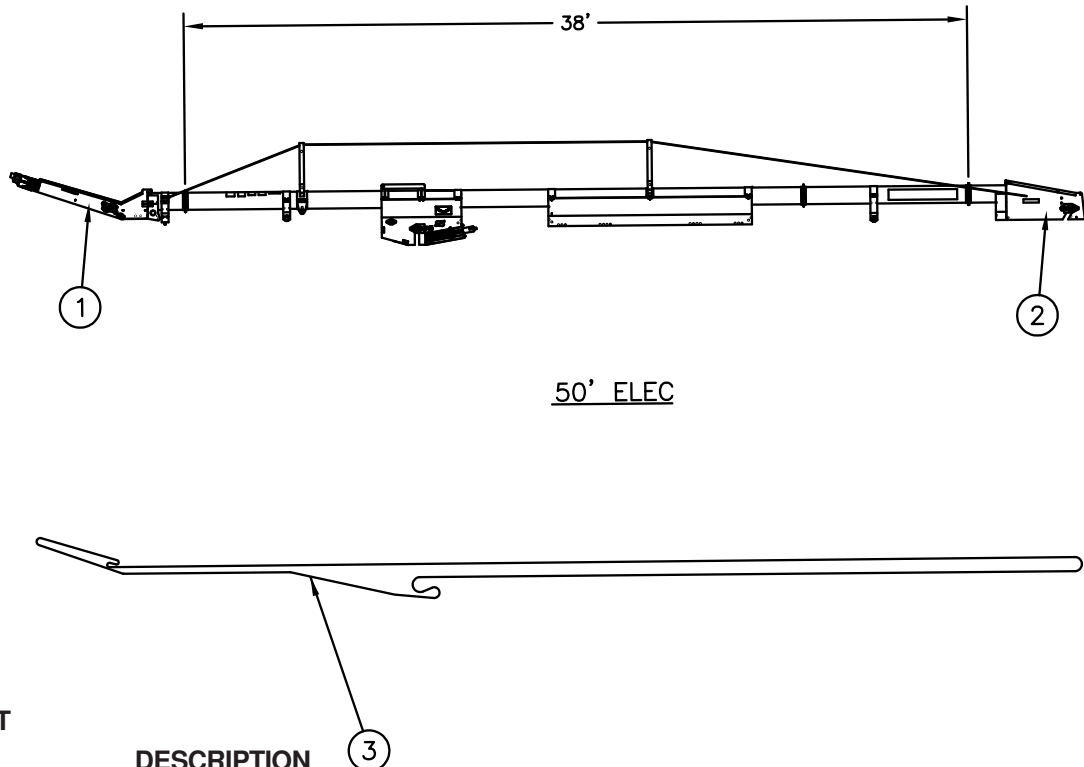
This gearbox is purchased from Weasler.
 The word "CHINA" will be inscribed
 on the housing.



REF. NO.	QTY. REQ'D.	PART NO.	DESCRIPTION
1	1	N/A	Case
2	1	N/A	End Cap
3	1	N/A	Large Cover
4	4	3079R1	Brg. Cone (LM67048)
5	4	3148R1	Brg. Cup (LM67010)
6	4	003538	Snap Ring
8	2	020153	Square Key 1/4" x 7/8" lg.
9	3	1023533	Spacer
10	1	1023278	Seal (Nat. #471808).
11	1	1023279	Seal (Nat. #470163)
12	4	33060	3/8" x 1" NC Capscrew
13	4	D1150	3/8" Lockwasher
14	1	020009	1/4" Pipe Plug
16	2	N/A	Gear 90° Bevel - 17 tooth
17	1	N/A	Input Shaft
18	1	N/A	Output Shaft
19	A/R	1023288	Shim Kit
20	1	1023577	Small Cover
22	1	035916	1/4" Vented Plug

PARTS LIST

BELTING COMPONENTS SN # 924113 to PRESENT



REF. NO	PART NO.	DESCRIPTION
1	Ref.	Inlet Assembly
2	Ref.	Discharge Assembly
3	1033009	Conveyor Belt 15" wide x 109'-0" long Low Temp Rubber. Black Continuous Chevron Top Cover, Slider Bed Back, RS 125 Alligator Lacing installed both ends. (Includes Nylon Hinge Pin)
	1041839	Per Foot Conveyor Belt 15" wide Low Temp Rubber (Replaced 1031591)
3	1033743	Conveyor Belt 15" wide x 109'-0" PVC Crescent Top w/slider bed back & RS125 Alligator lacing installed on both ends. (NOTE: The rubber belt above is recommended if normal operation is in ambient temperatures below 32° F.)
	1024743	Per Foot Conveyor Belt 15" wide PVC Crescent Top
--	1024218	Hinge Pin, Nylon Covered Steel Cable x 15" long
	1024260	Belt Lace kit 14" for 15" wide belt (For one belt splice)
--	1015AS-SET	Belt Splice Kit (without Installation Tool) (enough for four belt splices)
--	1030704	Belt Splice Crimping Tool
	1036842	Staple Driver f/Belt Splice Tool.
	1035075	Hand Held Belt Skiver

PARTS LIST

**THIS PAGE WAS LEFT BLANK
INTENTIONALLY.**

