

# HORIZONTAL CUSTOM BELT CONVEYOR

## PARTS BOOK

Effective January 1, 2011

Publication No. PB1030621

THIS PARTS BOOK IS FOR ALL OF THE CONVEYORS  
STARTING AT SERIAL NUMBER 917736 TO PRESENT.

**\*\*\* FOR INTERNAL USE ONLY \*\*\***

**AGI  HUTCHINSON MAYRATH**

Hutchinson | Mayrath • P.O. Box 629 • Clay Center, KS. USA 67432

P 785.632.2161 • F 785.632.5964 • TF 800.523.6993

[hutchinson-mayrath.com](http://hutchinson-mayrath.com)

[aggrowth.com](http://aggrowth.com) | **AGI **

# **HUTCHINSON | MAYRATH**

## **POLICIES and PROCEDURES**

**Prices:** Prices in effect at time of shipment will apply. Prices are subject to change without notice. All prices are F.O.B. Clay Center, Kansas. Orders shipped from locations other than Clay Center, Kansas will be subject to additional charges, such as back freight and/or additional freight.

**Service Charge:** A service charge will be assessed for all past due balances as permitted by state law not to exceed 1-1/2% per month.

**Minimum Order:** Processing and handling costs necessitate a minimum charge of \$15.00 net on all orders.

**Back Orders:** Back orders will be shipped as they become available. Contact Hutchinson,Mayrath Customer Service for alternative shipping options or if cancellation is desired.

**Damaged Goods:** It is the consignee's responsibility to check all shipments thoroughly upon receipt of goods. If any damage is discovered, it must be noted on the freight bill of lading before signing. The consignee must make necessary claims against the respective freight line. All damage claims must be submitted within 30 days of delivery receipt.

**Shortages:** All shortages must be noted at time of delivery. Shortages must be noted on the freight bill of lading before signing. Hutchinson,Mayrath must be advised of all concealed shortages upon discovery. Once notified of concealed shortages Hutchinson,Mayrath will advise corrective action to be taken.

**Return of Goods:** All returns must be approved by Hutchinson,Mayrath prior to shipment. All return requests will be issued a return authorization number. NO RETURNS WILL BE ACCEPTED WITHOUT A RETURN AUTHORIZATION NUMBER AND PRIOR AUTHORIZATION FROM THE FACTORY. All returns must be shipped prepaid. A 15% restocking charge will be applied to all returned merchandise. Custom Products may not be returned for credit. Only current products in new and salable condition may be returned. No safety devices may be returned for credit.

**Modifications:** It is the policy of Hutchinson,Mayrath to improve its product whenever possible and practical to do so. We reserve the right to make changes, improvements and modifications at any time without incurring the obligation to make such changes, improvements and modifications on any equipment sold previously.

**Limited Warranty:** (a) For a period of (1) year after receipt of goods by the original consumer buyer, Hutchinson,Mayrath will supply free of charge replacement parts for parts that prove defective in workmanship or material. Defective parts must be returned freight prepaid to a specified Hutchinson,Mayrath location. Only Hutchinson,Mayrath original repair parts may be used for warranty repairs.

(b) This limited warranty does not extend to parts designed to wear in normal operation and be replaced periodically; or to damage caused by negligence, accident, abuse or improper installation or operation.

(c) GOODS NOT MANUFACTURED BY HUTCHINSON,MAYRATH CARRY ONLY THE MANUFACTURER'S WARRANTY.

(d) THIS UNDERTAKING IS IN LIEU OF ALL OTHER WARRANTIES, EXPRESSED OR IMPLIED, INCLUDING MERCHANTABILITY AND FITNESS FOR A PARTICULAR PURPOSE.

**FAILURE TO FOLLOW THE INSTRUCTIONS CONTAINED IN THE OWNER'S & OPERATOR'S MANUALS AND THE ITEMS LISTED BELOW WILL RESULT IN THE VOIDING OF THIS LIMITED WARRANTY.**

(1) Improper assembly, including failure to properly install all safety equipment.

(2) Improper installation.

(3) Unauthorized alternations of goods.

(4) Goods operated when obviously in need of repair.

(5) Use of unauthorized repair parts.

(6) Irresponsible operation.

(7) Used to handle materials other than free flowing, nonabrasive and dry materials, as intended.

(8) Damaged through abusive use or accident.

**Limitation of Liability:** BUYER AGREES THAT IN NO EVENT SHALL HUTCHINSON,MAYRATH HAVE LIABILITY FOR DIRECT DAMAGES IN EXCESS OF THE CONTRACT PRICE OF THE GOODS IN RESPECT OF WHICH CLAIM IS MADE. BUYER FURTHER AGREES THAT IN NO EVENT SHALL HUTCHINSON,MAYRATH ON ANY CLAIM OF ANY KIND HAVE LIABILITY FOR LOSS OF USE, LOSS OF PROFITS, OR FOR ANY INDIRECT, INCIDENTAL OR CONSEQUENTIAL DAMAGES.

# ***PARTS LIST***

The first edition of the Parts Book was released 01-2011.

The first edit was completed 01-2012 and the following pages were edited.

PB-0.

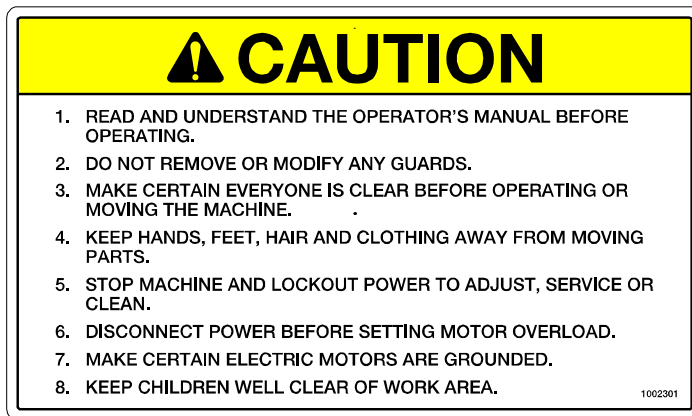
The second edit was completed 1-2013 and the following pages were edited.

PB-0, PB-1, PB-10.

# PARTS LIST

## SAFETY SIGNS AND DECALS SN 917736 to PRESENT

Check components as specified below to insure that safety decals are present and in good condition. These decals are located on the right hand side of the discharge housing. If a decal cannot be easily read for any reason or has been painted over, replace it immediately. Decals may be ordered through your dealer.



**“CAUTION” Decal  
Part No. 1002301**

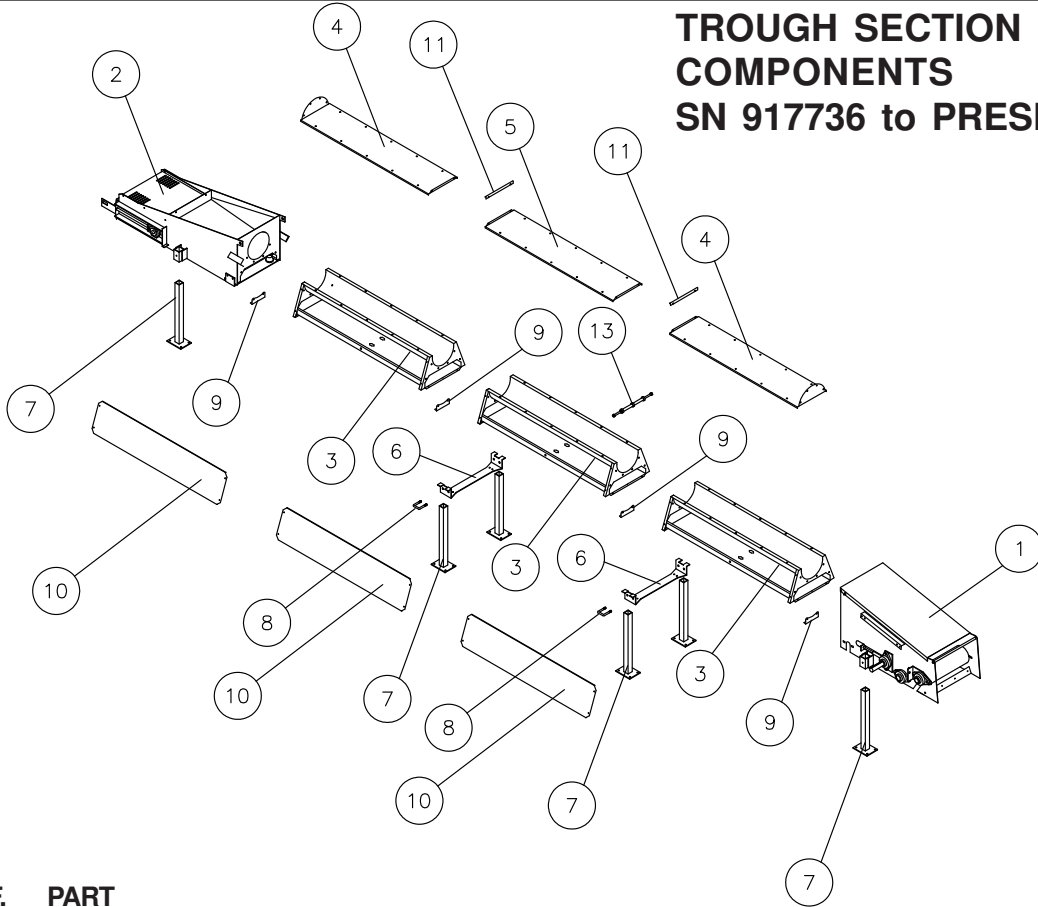


**“DANGER” Decal  
Part No. 1005324**

Made in the Heart of America  
Part No. 1014833

# PARTS LIST

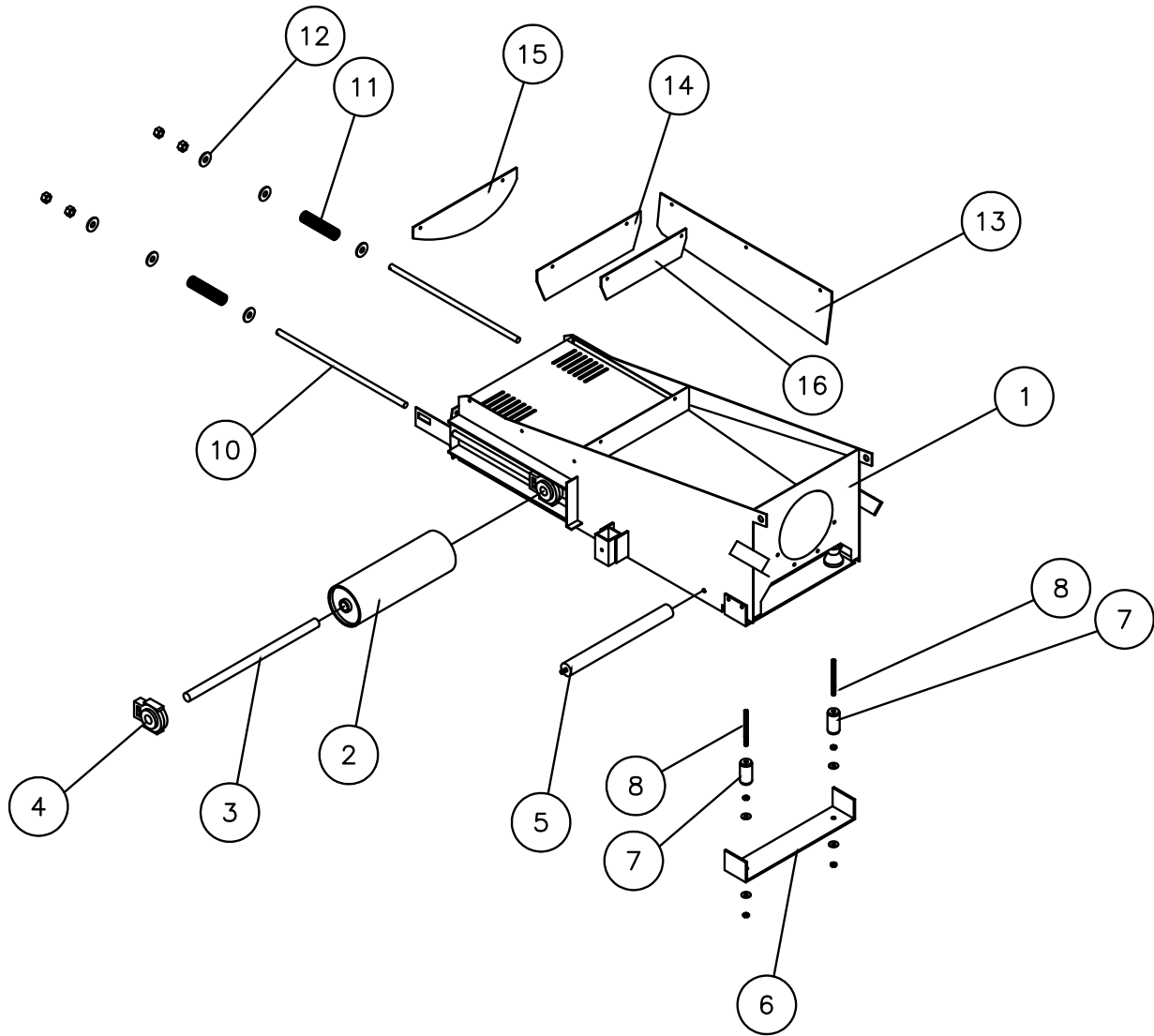
## TROUGH SECTION COMPONENTS SN 917736 to PRESENT



REF. NO.	PART NO.	DESCRIPTION
1	1029477	Discharge Assembly(See page PB-5 & PB-6 for parts breakdown)
2	1029476	Inlet Assembly (See page PB-3 & PB-4 for parts breakdown)
3	1029470	Trough Section Weldment
4	1029474	End Trough Cover
5	1029473	Trough Cover
6	1029499	Support Leg Attachment Bracket
7	1030379	Support Leg Weldment
8	33240	U-Bolt
9	1029496	Belt Splice Shield
10	1029516	Side Cover Panel
11	1036684	Flange Cap Panel
12	1036622	Tube Caps for Items 7
13	1037061	Return Belt Roller Assembly
	(1) 51821	Threaded Rod
	(2) 33138	Nut 1/2" Hex Lock
	(2) D1169	Nut 1/2" Hex
	(2) 1031263	Spacer Tube
	(3) 1026002	Bearing

# PARTS LIST

## INLET HOUSING COMPONENTS SN 917736 to PRESENT



# PARTS LIST

Page PB-4

## INLET HOUSING COMPONENTS SN 917736 to PRESENT

REF.	PART	
NO.	NO.	DESCRIPTION
1	1028521	Inlet Housing Weldment
2	1031931	Pulley, 6" x 18" CF w/1-1/4" Bore <b>(Used for SN 932988 to PRESENT)</b> <b>(If part number 1023979 is requested order assembly 1031939 below)</b>
3	1032482	Shaft, Tail Pulley 1-1/4" x 24-1/4" <b>(Used for SN 932988 to PRESENT)</b> <b>(If part number 1023733 is requested order assembly 1031939 below)</b>
4	1029743	Bearing, 1-1/4" Take-up
5	1023329	Roller, 1.9" O.D. Hex Shaft
6	1026004	Guide Roller Mount Plate
7	1036617	Guide Roller (Hex Bore)
8	1036711	Hex Roller Shaft
--	1036730	Guide Roller Assembly (Includes Items 6, 7 & 8)

**(NOTE: If old style Guide Roller #1025833, Spacer Tube #1030100, Bolt #1026107, Ball Bearing, 1/2" Bore #1026002 or Spacer Tube 1013829 are requested, substitute part number 1037508.)**

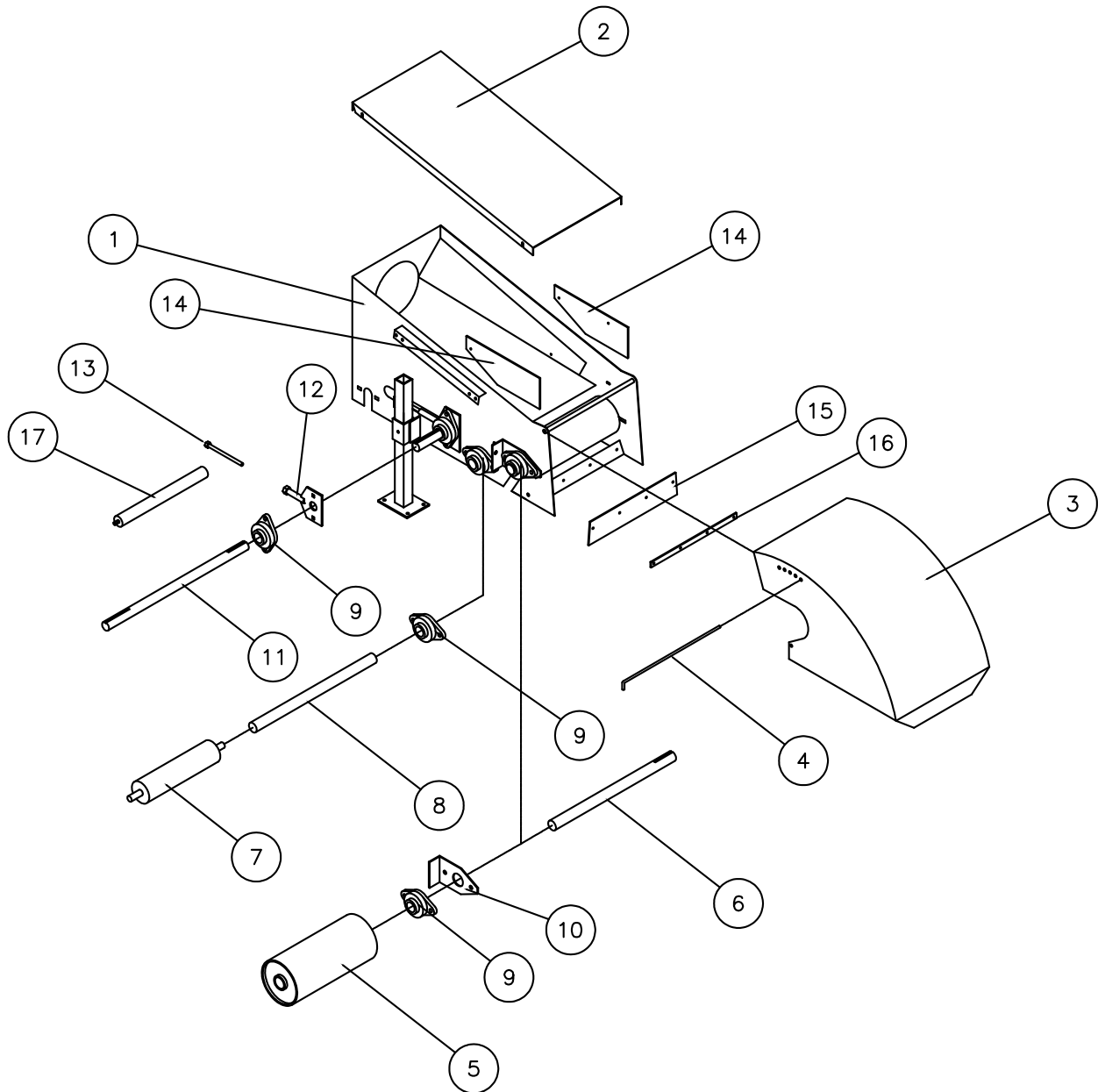
10	1023737	Threaded Take-up Rod 3/4" x 24"
11	1025765P	Spring
12	1029957	UHMW Washer
13	1027033	Rubber Skirt (side)
14	1027034	Rubber Skirt (end)
15	1027036	Brush Flight Panel Weldment
16	1027037	Hold Down Panel
--	1031939	Items 2 & 3 Assembled <b>(Replaces 1023979 &amp; 1023733)</b>

### Not shown

**Cover for inlet and or Canvas Hopper parts shown on page PB-12**

# PARTS LIST

## DISCHARGE ASSEMBLY COMPONENTS SN 917736 to PRESENT





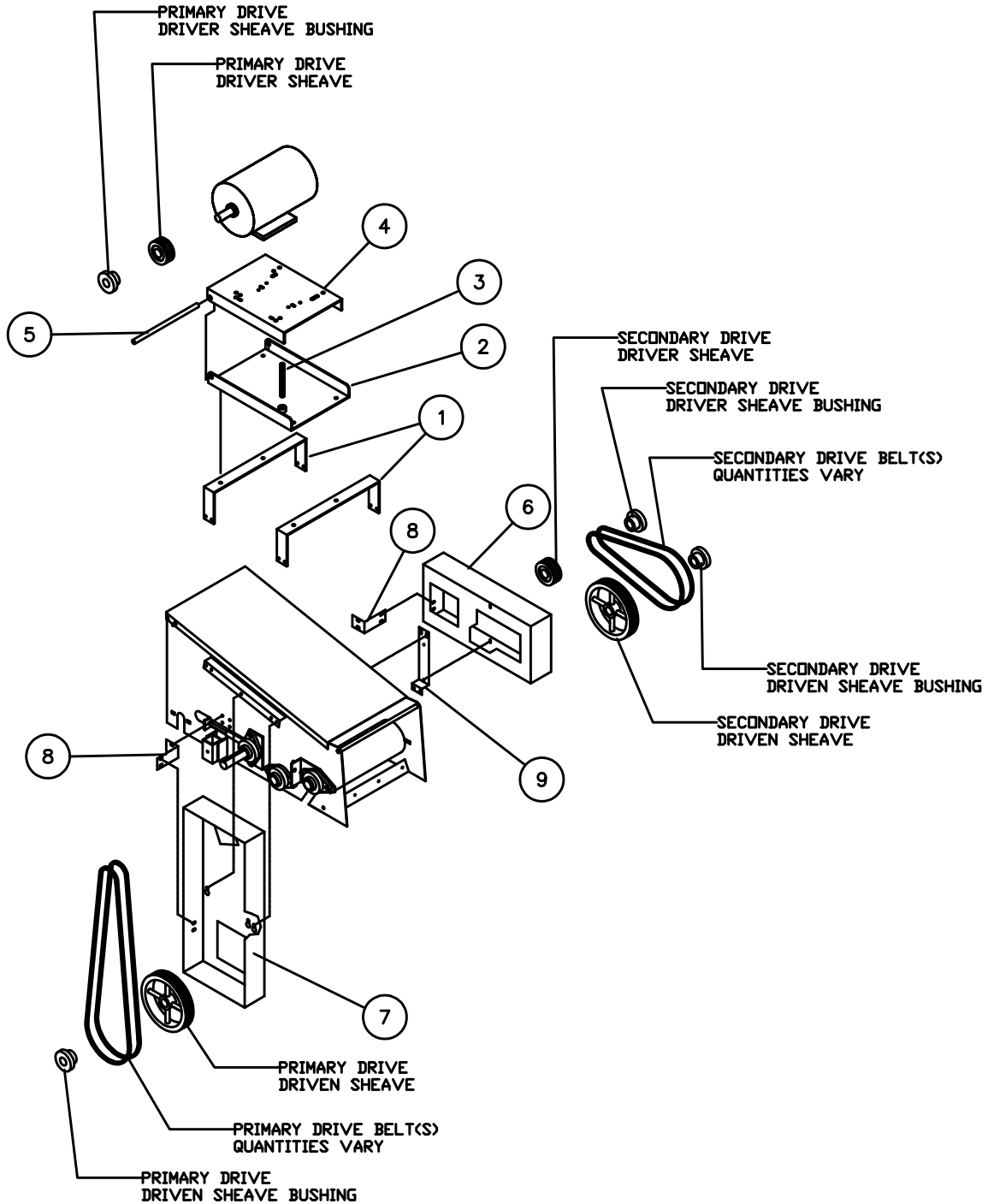
# PARTS LIST

## DISCHARGE HOUSING ASSEMBLY SN 917736 to PRESENT

REF. NO.	PART NO.	DESCRIPTION
1	1029469	Discharge Frame Weldment
2	1023839	Cover Panel
3	1029904	Discharge Spout (metal)
4	1023844	Discharge Spout Pin
5	1035369	Pulley, 6" x 18" CF w/1-1/4" Bore (Herringbone Grooved Lagging) <b>(Used for SN 932988 to PRESENT)</b> <b>(If part number 1025860 is requested order assembly 1035370 below)</b>
6	1032484	Shaft, Head 1-1/4" x 27-1/16" <b>(Used for SN 932988 to PRESENT)</b> <b>(If part number 1025920 is requested order assembly 1035370 below)</b>
7	1031935	Pulley, 4" x 18" SF w/1-1/4" Bore <b>(Used for SN 932988 to PRESENT)</b> <b>(If part number 1025862 is requested order assembly 1031942 below)</b>
8	1032482	Shaft, Snub 1-1/4" x 24'-1/4" <b>(Used for SN 932988 to PRESENT)</b> <b>(If part number 1023733 is requested order assembly 1031942 below)</b>
9	1029742	Bearing, 1-1/4" Two-Bolt Flanged
10	1023727	Bearing Push Plate
11	1029493	Shaft, 1-1/4" x 31-1/2"
12	1029479	Take-up Bearing Bracket
13	1027641	Bolt 1/2" x 7-1/2"
14	1025412	Skirt Rubber
15	1030585	Rubber Pulley Wiper
16	1030586	Wiper Clamp Bar
17	1023329	Roller, 1.9" O.D. Hex Shaft
--	1035370	Items 5 & 6 Assembled <b>(Replaces 1025860 &amp; 1025920)</b>
--	1031942	Items 7 & 8 Assembled <b>(Replaces 1025862 &amp; 1023733)</b>

# PARTS LIST

## ELECTRIC DRIVE COMPONENTS SN 917736 to PRESENT



# PARTS LIST

## ELECTRIC DRIVE COMPONENTS SN 917736 to PRESENT

REF. NO.	PART NO.	DESCRIPTION
1	1026970	Motor Mount Support Strap
2	1026895	Motor Mount Support Plate
3	1022381	Motor Mount Adjustment Rod
4	1022138	Motor Mount Plate
5	1022188	Motor Mount Pivot Rod
6	1030351	Belt Guard (secondary drive)
7	1030350	Belt Guard (primary drive)
8	1030404	Belt Guard Bracket (rear)
9	1030399	Belt Guard Bracket (front)

**For sheaves, belts and bushings, refer to table on page PB-9 for part numbers based on the drive being used.**

**PARTS LIST**

**ELECTRIC DRIVE  
COMPONENTS - CONT.  
SN 917736 to PRESENT**

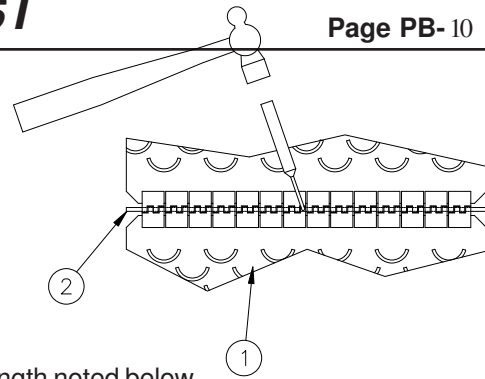
(Based on 60 HZ)

UNDER BIN BELT CONVEYOR DRIVE PARTS

DRIVE CATALOG NO	NOMINAL BELT SPEED	MOTOR HP	PRIMARY BELT DRIVE					SECONDARY BELT DRIVE				
			DRIVER SHEAVE	DRIVER BUSHING	DRIVEN SHEAVE	DRIVEN BUSHING	DRIVE BELTS	DRIVER SHEAVE	DRIVER BUSHING	DRIVEN SHEAVE	DRIVEN BUSHING	DRIVE BELTS
UB15D01	400	3	1B 4.2" P.D. 3236A1	QD SH 1.125 3079A1	1B 11.0" P.D. 3307A1	QD SDS 1.25 3076A1	(1) B73 1009129	1B 4.2" P.D. 3236A1	QD SH 1.25 40016	1B 11.0" P.D. 3307A1	QD SDS 1.25 3076A1	(1) B52 40118
UB15D02	400	5	2B 4.2" P.D. 1024515	QD SH 1.125 3079A1	2B 11.0" P.D. 3308A1	QD SK 1.25 3072A1	(2) B73 1009129	2B 4.2" P.D. 1024515	QD SH 1.25 40016	2B 11.0" P.D. 3308A1	QD SK 1.25 3072A1	(2) B52 40118
UB15D03	400	7.5	2B 4.2" P.D. 1024515	QD SH 1.375 3086A1	2B 11.0" P.D. 3308A1	QD SK 1.25 3072A1	(2) B73 1009129	3B 4.2" P.D. 1024516	QD SH 1.25 40016	3B 11.0" P.D. 3271A1	QD SK 1.25 3072A1	(3) B52 40118
UB15D04	600	3	1B 4.2" P.D. 3236A1	QD SH 1.125 3079A1	1B 9.4" P.D. 3074A1	QD SDS 1.25 3076A1	(1) B70 1009128	2B 4.2" P.D. 1024515	QD SH 1.25 40016	2B 9.4" P.D. 3075A1	QD SK 1.25 3072A1	(2) B50 40117
UB15D05	600	5	2B 4.2" P.D. 1024515	QD SH 1.125 3079A1	2B 9.4" P.D. 3075A1	QD SK 1.25 3072A1	(2) B70 1009128	2B 4.2" P.D. 1024515	QD SH 1.25 40016	2B 9.4" P.D. 3075A1	QD SK 1.25 3072A1	(2) B50 40117
UB15D06	600	7.5	2B 4.2" P.D. 1024515	QD SH 1.375 3086A1	2B 9.4" P.D. 3075A1	QD SK 1.25 3072A1	(2) B70 1009128	3B 4.2" P.D. 1024516	QD SH 1.25 40016	3B 9.4" P.D. 3080A1	QD SK 1.25 3072A1	(3) B50 40117
UB15D07	600	10	3B 4.2" P.D. 1024516	QD SH 1.375 3086A1	3B 9.4" P.D. 3080A1	QD SK 1.25 3072A1	(3) B70 1009128	4B 4.2" P.D. 3248A1	QD SD 1.25 3291A1	4B 9.4" P.D. 3093A1	QD SK 1.25 3072A1	(4) B50 40117
UB15D08	800	3	1B 4.2" P.D. 3236A1	QD SH 1.125 3079A1	1B 6.8" P.D. 3310A1	QD SDS 1.25 3076A1	(1) B66 40124	1B 4.2" P.D. 3236A1	QD SH 1.25 40016	1B 9.4" P.D. 3074A1	QD SDS 1.25 3076A1	(1) B50 40117
UB15D09	800	5	2B 4.2" P.D. 1024515	QD SH 1.125 3079A1	2B 6.8" P.D. 3266A1	QD SDS 1.25 3076A1	(2) B66 40124	2B 4.2" P.D. 1024515	QD SH 1.25 40016	2B 9.4" P.D. 3075A1	QD SK 1.25 3072A1	(2) B50 40117
UB15D12	800	7.5	2B 4.2" P.D. 1024515	QD SH 1.375 3086A1	2B 6.8" P.D. 3266A1	QD SDS 1.25 3076A1	(2) B66 40124	2B 4.2" P.D. 1024515	QD SH 1.25 40016	2B 9.4" P.D. 3075A1	QD SK 1.25 3072A1	(2) B50 40117
UB15D10	800	10	3B 4.2" P.D. 1024516	QD SH 1.375 3086A1	3B 6.8" P.D. 3269A1	QD SD 1.25 3291A1	(3) B66 40124	3B 4.2" P.D. 1024516	QD SH 1.25 40016	3B 9.4" P.D. 3080A1	QD SK 1.25 3072A1	(3) B50 40117
UB15D11	800	15	3B 4.2" P.D. 1024516	QD SH 1.625 40018	3B 6.8" P.D. 3269A1	QD SD 1.25 3291A1	(3) B68 40125	4B 4.2" P.D. 3248A1	QD SD 1.25 3291A1	4B 9.4" P.D. 3093A1	QD SK 1.25 3072A1	(4) B50 40117

# PARTS LIST

## BELTING COMPONENTS SN 917736 to PRESENT



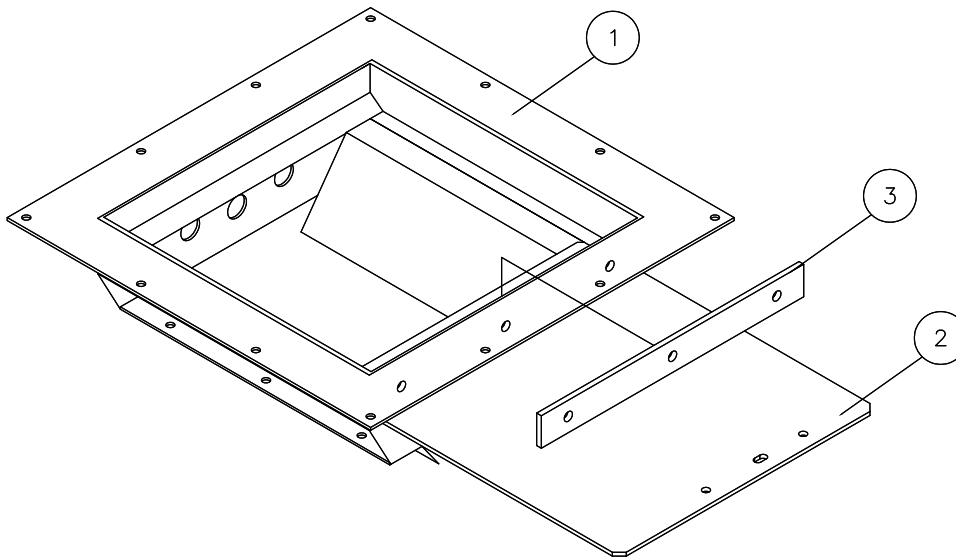
REF. NO.	PART NO.	DESCRIPTION
1	---	Conveyor Belting, 15" wide x length noted below, Low Temp PVC, Black Crescent Top Cover w/Slider Bed Back, RS125 Alligator Lacing installed both ends. (Includes nylon covered hinge pin)

Rubber Belt	PVC Belt	Belt <u>Length</u>	Nominal Pulley <u>Centers</u>
1039387-34	1030367-34	34'-6"	16'-3"
1039387-44	1030367-44	44'-6"	21'-3"
1039387-54	1030367-54	54'-6"	26'-3"
1039387-64	1030367-64	64'-6"	31'-3"
1039387-74	1030367-74	74'-6"	36'-3"
1039387-84	1030367-84	84'-6"	41'-3"
1039387-94	1030367-94	94'-6"	46'-3"
1039387-104	1030367-104	104'-6"	51'-3"
1039387-114	1030367-114	114'-6"	56'-3"
1039387-124	1030367-124	124'-6"	61'-3"
1039387-134	1030367-134	134'-6"	66'-3"
1039387-144	1030367-144	144'-6"	71'-3"
1039387-154	1030367-154	154'-6"	76'-3"
1039387-164	1030367-164	164'-6"	81'-3"
1039387-174	1030367-174	174'-6"	86'-3"
1039387-184	1030367-184	184'-6"	91'-3"
1039387-194	1030367-194	194'-6"	96'-3"
1039387-204	1030367-204	204'-6"	101'-3"
1039387-214	1030367-214	214'-6"	106'-3"
1039387-224	1030367-224	224'-6"	111'-3"
1039387-234	1030367-234	234'-6"	116'-3"
1039387-244	1030367-244	244'-6"	121'-3"
1039387-254	1030367-254	254'-6"	126'-3"
1039387-264	1030367-264	264'-6"	131'-3"
<b>NOTE: For units with SN 917736 to 932987 the belt lengths below may be requested.</b>			
	1030367-324	342'-6"	161'-3"

1024743	PVC Per Foot Conveyor Belting part number (For repair - NOTE: Belt end splices not installed)
1041839	Rubber Per Foot Conveyor Belting part number ( <b>Replaced 1031951</b> ) (For repair - NOTE: Belt end splices not installed)
2	1024218 Hinge Pin Kit, nylon covered steel cable x 15" long
	1024215 Hinge Pin material (per foot part number)
4	1015AS-SET Belt Splice Kit (without installation tool) (material for four belt splices)
	1024260 Belt Lace kit 14" for 15" wide belt each (Four included in 1015AS-SET)
	1030704 Splice Tool
	1035075 Hand Held Belt Skiver
	1036842 Staple Driver f/Belt Splice

# PARTS LIST

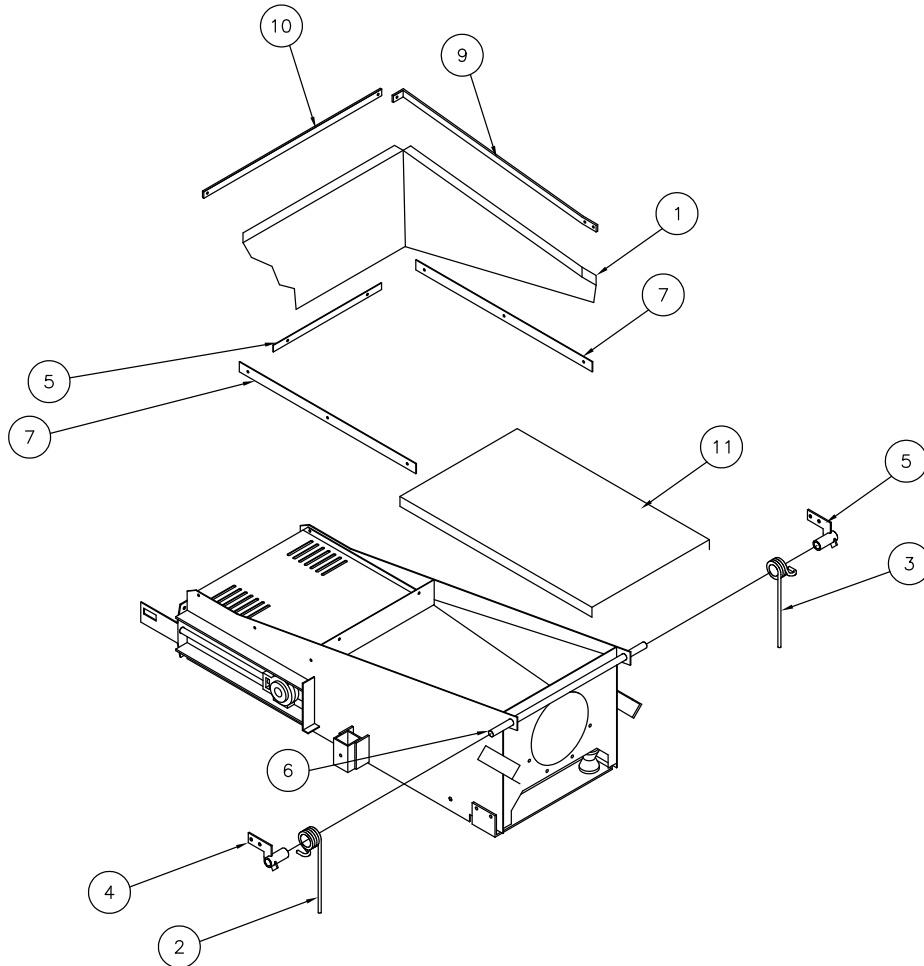
## INTERMEDIATE INLET GATE COMPONENTS SN 9177736 to PRESENT



REF.	PART	
NO.	NO.	DESCRIPTION
1	1030634	Inlet Housing Weldment
2	1029212	Inlet Slide Gate
3	1029208	Gate Wiper

# PARTS LIST

## OPTIONAL CANVAS HOPPER COMPONENTS SN 9177736 to PRESENT



REF. NO.	PART NO.	DESCRIPTION
1	1023396	Canvas Inlet Hopper
2	1023398P	Spring Hopper Torsion (right hand)
3	1023399P	Spring Hopper Torsion (left hand)
4	1023833	Spring Anchor Weldment (right)
5	1023834	Spring Anchor Weldment (left)
6	1023835	Spring Pivot Pipe
7	1023756	Tarp Retaining Strap (side)
8	1023757	Tarp Retaining Strap (end)
9	1023848	Hopper Support Bar (side)
10	1023849	Hopper Support Bar (end)
11	1030380	Inlet Cover Panel

(NOTE: Item 11 is standard on inlet.)

## ***PARTS LIST***

---

**This page was left blank intentionally.**





# **AGI HUTCHINSON MAYRATH**

MANUFACTURED BY  
**HUTCHINSON | MAYRATH**

P.O. Box 629, 514 W. Crawford Street    **TF** 800.523.6993  
Clay Center, Kansas                            **P** 785.632.2161  
USA 67432    **F** 785.632.5964

**[hutchinson-mayrath.com](http://hutchinson-mayrath.com)**